

UK *IT IS RECOMMENDED THAT YOU READ THE FOLLOWING INSTRUCTIONS VERY CAREFULLY BEFORE USING THE PRODUCT. THE MANUFACTURER WILL NOT BE HELD RESPONSIBLE AND DECLINES ANY AND ALL LIABILITY FOR DAMAGE CAUSED TO PERSONS OR PROPERTY DUE TO IMPROPER USE WITH REFERENCE TO THE "CAUTIONS" AND "PRECAUTIONS" OUTLINED IN THIS MANUAL.*

THIS MANUAL MUST ALWAYS BE READILY AVAILABLE.



CAUTION: This symbol indicates that, while following the below indicated instructions, care must be taken to avoid people's injury or death.

- The manual explains how to install correctly, use and perform maintenance on the product. Following these instructions will ensure that the product will be electrically and mechanically reliable and will extend its service life
- Do not use this product for any purpose other than that for which it was designed and as illustrated herein.
- After removing the product from the packing, make sure that it has not been damaged. If doubts arise, immediately contact professionally qualified personnel.
- Do not leave packing parts within the reach of children or unskilled people. Do not dump any hazardous parts into the environment (polystyrene, plastic, etc.).
- If the product is dropped or badly knocked, immediately contact qualified personnel (authorised dealer or manufacturer) to check that the product operates correctly.
- The use of any electrical device requires compliance with some basic rules which are listed below:
 - do not touch the device with moist or wet parts of the body (hands, feet).
 - this appliance is not intended for use by persons (including children) with reduced physical, sensory or mental capabilities, or lack of experience and knowledge, unless they have been given supervision or instruction concerning use of the appliance by a person responsible for their safety.
Children should be supervised to ensure that they do not play with the appliance.
- Connect the product to the mains electricity supply or electrical outlet only if:
 - your electrical voltage and frequency corresponds to those shown on the rating plate.
 - the capacity of your electricity supply is sufficiently powerful to operate the product at its maximum power.
If not, contact professionally qualified personnel.
- If a fault, malfunction or anomaly of any type occurs, make the device inoperative (by turning off the switch and by disconnecting it from the mains electricity supply) and immediately contact qualified personnel. Always request original spare parts to effect any repairs.
- If the product needs to be removed, turn off the main network circuit-breaker and then disconnect the device from that network. Place the device in a safe location far from children and/or unskilled people.
- The electricity system to which the product is connected must comply with the current standards regarding electrical systems (IEC 64, CEI 64-8, CENELEC 384) for the parts concerning the application of our devices.



PRECAUTION: This symbol indicates that, while following the below indicated instructions, care must be taken to avoid damaging your product.

- The product is professionally manufactured and complies with the current standards regarding electrical equipment.
- The product conforms with the EC directive **EMC 2004/108** concerning the suppression of radio interference and electromagnetic compatibility.
- Do not use the product at an ambient temperature greater than 40°C
- Do not allow the product to be exposed to atmospheric agents (rain, sun, snow, etc.).
- Possible product installations are indicated in the attached illustrations.
- Do not place the device or relative parts in water or liquids, except where indicated in the cleaning and maintenance section.
- When cleaning or performing routine maintenance, check the condition of the device.
- To avoid the risk of fire, do not use the product in the presence of inflammable substances or vapours such as alcohol, insecticides, gasoline, etc.
- The air or fumes being extracted must be clean and free from greasy particles, soot, chemical and corrosive agents, inflammable or explosive mixes (If these substances are treated, contact an authorised dealer to consult the specific range of explosion-proof products).
- **The device must be installed by professionally qualified personnel.**
- The product must be connected to the electricity supply by means of a double-pole switch with a minimum contact opening distance higher than 3 mm or by means of a plug.
- To ensure optimum operation, do not block the air intake and delivery vents.
- For optimum operation, ensure that the product is installed at a minimum height of 2.30 m above the ground.
- The room where the device is located must be adequately ventilated to ensure correct operation.
- For devices operating in ducts, make sure that the duct is not blocked.
- If the device is sited in a room containing a fuel burning appliance, the installer must ensure that air replacement is adequate both for the device and the fuel burning appliance.
- The device should not be used as an activator for water heaters, stoves, etc.
- The device must exhaust directly to the outside.

INFORMATION FOR USERS



Attention: this symbol is only valid in the European Union.

The crossed-out-wheeled bin symbol reported on the product or on the packaging, indicates, according to the 2002/96/EC on waste electrical and electronic equipment (WEEE), 2002/95/EC on the restriction of the use of certain hazardous substances in EEE (Electric and Electrical Equipment) (RoHS) and 2003/108/EC Directives, that modify the 2002/96/EC Directive, that the product at the end of its life must be collected separately from other waste materials.

In order to avoid harm to the environment and pressure on natural resources, the user has to utilize appropriate take-back systems when disposing of this equipment, otherwise it can meet with the sanctions foreseen by the Waste Legislation in force. The appropriate take-back systems will reuse or recycle most of the materials of this equipment in a way that will not harm the environment.

If you need more information on collection, reuse, and recycling systems, please contact your local or regional waste administration or the distribution point from which you purchased the appliance.

Other Countries outside the European Union.

If you wish to dispose of this product, please do so in accordance with applicable national legislation or other rules in your country for the treatment of old electrical and electronic equipment.

INSTALLATION

PLEASE REFER TO THE NUMBERING INDICATED IN INCREASING ORDER (NOT ADJOINING), TO DISMANTLE THE FAN.

Installation in single glazed window (Fig. 1): dismantle the fan into its various components as shown and reassemble it on the window as shown in Fig. 1.

Installation into double glazed windows (Fig. 1 and Fig. 1A): refer to Fig. 1 for dismantling and reassembling the fan. If necessary use the double-glazing kit, inserting the rings as shown in Fig. 1A.

Installation into double windows (Fig. 2): dismantle and reassemble the fan as shown in Fig. 2 using the double window kit.

Installation on walls (Fig. 3 and Fig. 4): wall installation can be carried out using two different methods:
 - by using wall rods in those instances where there is no direct access to the outside (Fig. 3).
 - by using wall plugs if there is easy access to the outside (Fig. 4).

See Fig. 5 for all electrical connections.

See Fig. 5n for information on dismantling the terminal block in models 9/230 and 12/300

OPERATION

This apparatus is an axial extract fan for window or wall installation with manual or automatic versions.

Manual version: pulling the cord opens the shutters and the fan operates. Pulling the cord a second time closes the shutters and stops the fan.

Automatic version: the fan is operated by the control switch. A neon light on the fan shows that the fan is operating. The shutters on these fans are of the delayed action type and will take several seconds both to open and close. Some models are provided with a speed controller. When the speed controller is set at "0" the shutters on the fan will stay open even though the motor is not operating (the neon light is on).

MAINTENANCE AND CLEANING

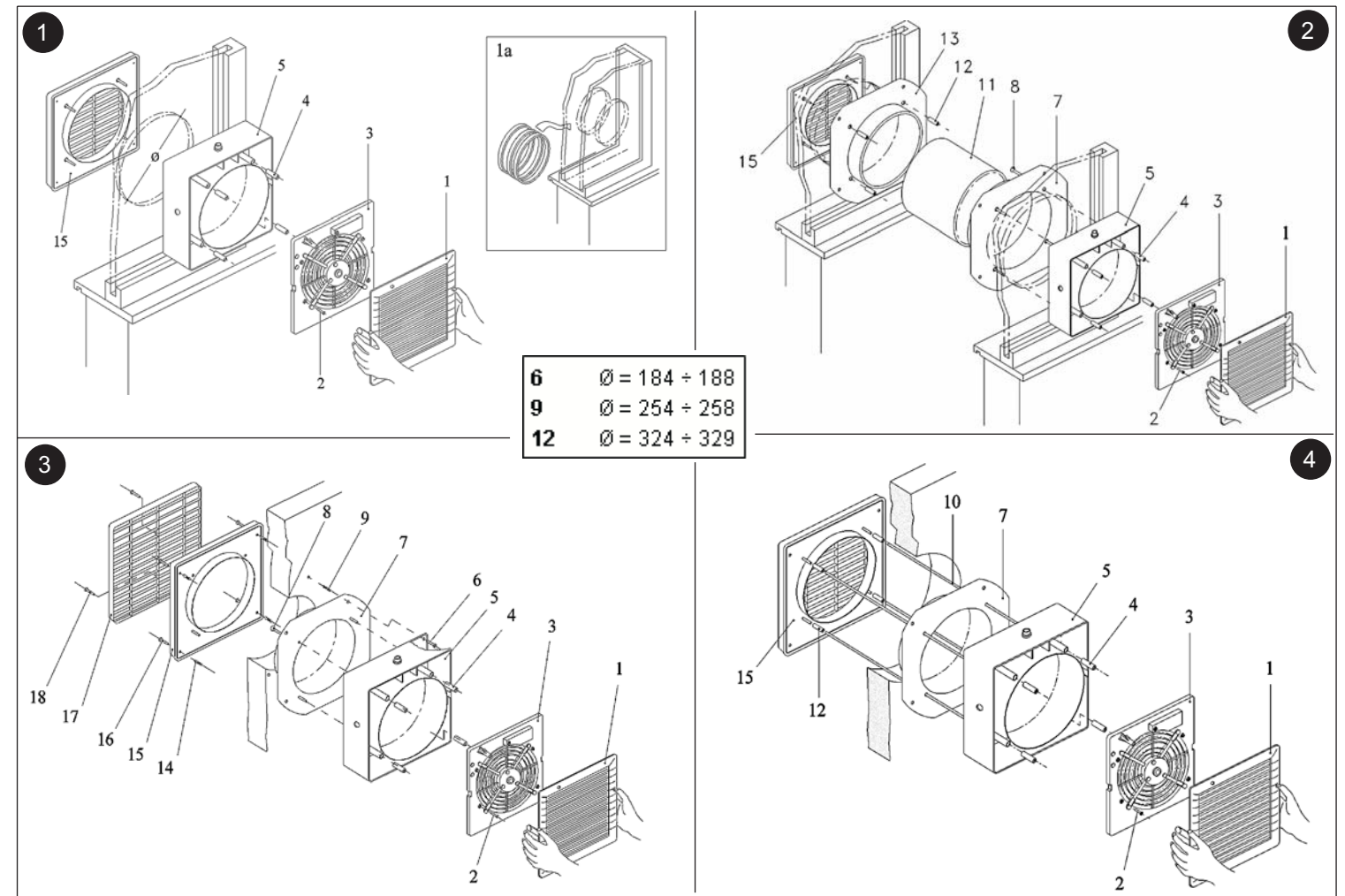
Before carrying out any maintenance or cleaning operations, disconnect the mains electrical supply.

- Remove the front cover with reference to the type of installation carried out.
- Clean the front cover with water or a mild detergent.
- Disconnect the fan from the supply cable, before dismantling the motor holder from the body (for models 9/230 and 12/300 only).
- The motor-fan assembly should be cleaned only with a dry brush or dry cloth.
- During cleaning operations, ensure that the motor-fan assembly does not come into contact with any type of liquid or solvent. If this should occur, contact a qualified technician before reassembling the fan.

TROUBLE SHOOTING

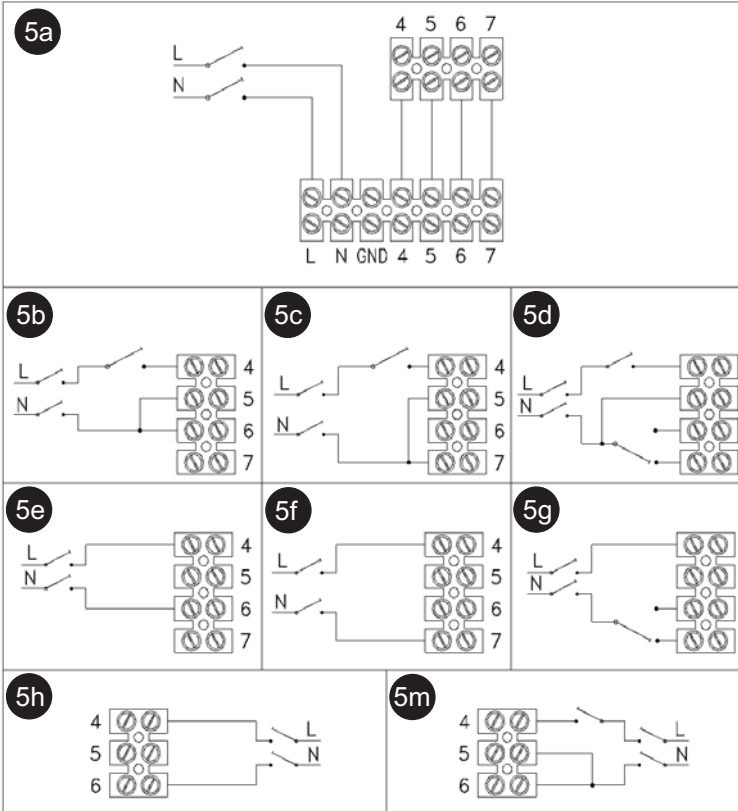
PROBLEM	POSSIBLE CAUSE	HOW TO SOLVE THE PROBLEM
The product is not working	No power	check to see that the electrical connection has been properly made and that there is an electricity supply coming to the fan.
The fan blade is no running		check to see that there is no impediment blocking it.
Automatic models: if the shutters remain open and the neon light is on, but the motor is not running		where a speed controller is used check to see that it is not set at "0".

For any other problems, please contact a qualified technician.

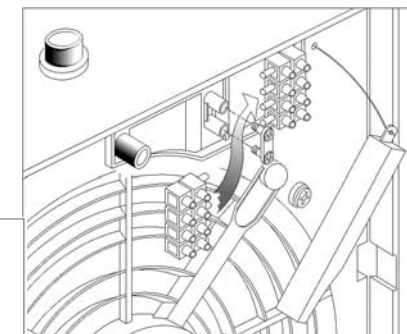


LEGEND (FIG. 1-2-3-4)

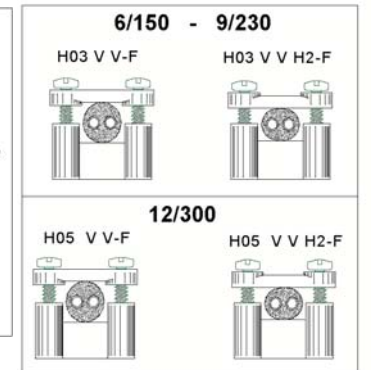
- | | |
|------------------------------|---------------------------|
| 1 - front | 10 - wall rods |
| 2 - plate disassembly screws | 11 - shell |
| 3 - motor-holder plate | 12 - bushes (sleeves) |
| 4 - bushes (sleeves) | 13 - flange |
| 5 - intermediate body | 14 - wall plugs |
| 6 - wall-fixing screws | 15 - grille holder |
| 7 - flange | 16 - wall-fixing screws |
| 8 - flange fixing screws | 17 - external grille |
| 9 - wall plugs | 18 - grille fixing screws |



5n



6



LEGEND FIG. 5

- Fig. 5a = Connection with speed controller for models 9/230 and 12/300
 Fig. 5b = Connection for models 9/230 and 12/300 automatic for extraction only (make a bridge between 5 and 6)
 Fig. 5c = Connection for models 9/230 and 12/300 automatic for intake only 1 (make a bridge between 5 and 7)
 Fig. 5d = Connection for models 9/230 and 12/300 automatic with reversibility switch (make a bridge between 5 and supply)
 Fig. 5e = Connection for models 9/230 manual for extraction only
 Fig. 5f = Connection for models 9/230 manual for intake only
 Fig. 5g = Connection for models 9/230 manual with reversibility switch
 Fig. 5h = Connection for models 6/150 manual
 Fig. 5m = Connection for models 6/150 automatic (make a bridge between 5 and 6)
 Fig. 5n = Dismantling of the terminal block for the models 9/230 and 12/300