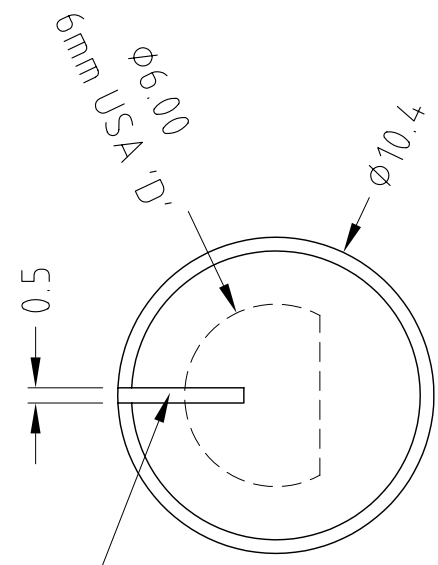
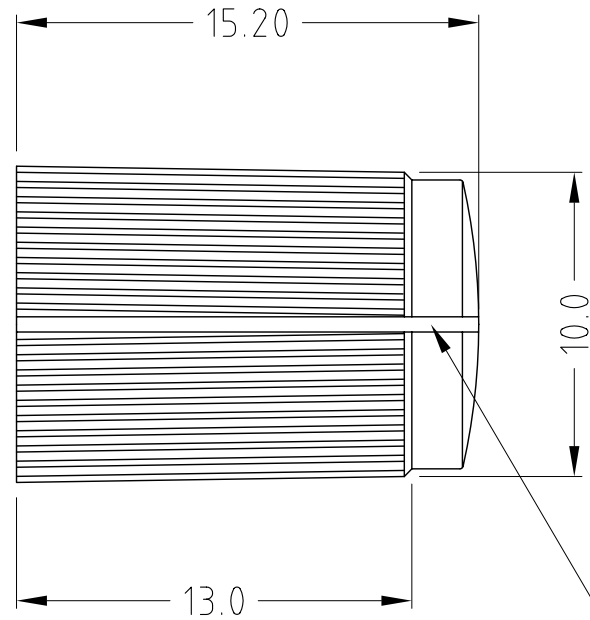
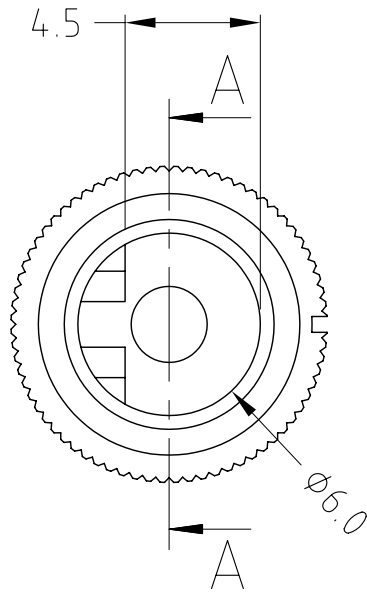
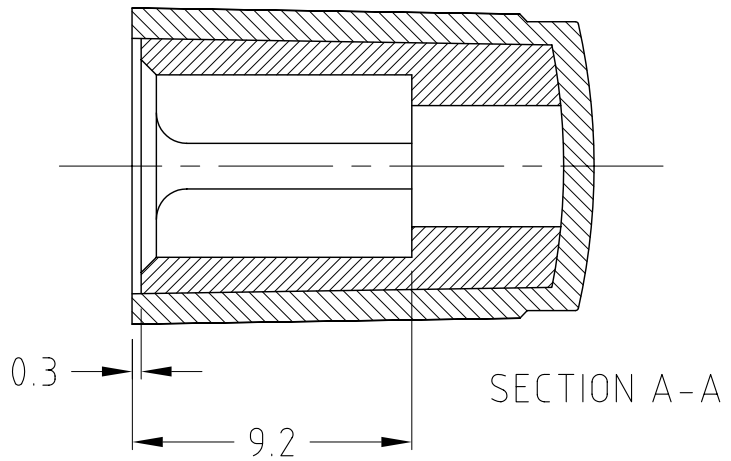


ISS.	AMEND	DATE
1	ISSUED	11/09/12



SILVER MARKER LINE  
ACROSS TOP + SIDE  
OPPOSITE FLAT OF 'D'



**RoHS**  
COMPLIANT

**TOLERANCE**  
NO DEC. PLACE ±0.50  
1 DEC. PLACE ±0.25  
2 DEC. PLACE ±  
HOLE Ø ±  
ANGLES ± 1/2°  
UNLESS  
OTHERWISE STATED

DO NOT SCALE

**Cliff Electronic Components Ltd.**  
76 Holmehorpe Avenue, Holmehorpe Industrial Estate,  
Redhill, Surrey, RH1 2PF, England, UK  
Tel: 01737-771375 Fax: 01737-766012 Website: www.cliffuk.co.uk

DIMENSIONS IN MILLIMETERS UNLESS OTHERWISE STATED. WORK TO DIMENSIONS. REMOVE ALL BURRS. IF IN DOUBT ASK.

3rd ANGLE PROJECTION:

MATERIAL: PLASTIC - ALUMINIUM SHELL  
FINISH: MATT SILVER

TITLE: CUSTOM KMK10 SILVER 6mm USA D

THE CONTENTS OF THIS DOCUMENT MUST NOT BE COPIED OR DISCLOSED TO A 3rd PARTY WITHOUT WRITTEN PERMISSION OF CLIFF UK. © 2012

DRAWN: T.J.O.

APPROVED: D.P.J.

DRWG. No. **FC72501**

FORM: A4DRWGH