

Universal current transducer - MCR-SL-CUC-300-U - 2308302

Please be informed that the data shown in this PDF Document is generated from our Online Catalog. Please find the complete data in the user's documentation. Our General Terms of Use for Downloads are valid (<http://download.phoenixcontact.com>)



Universal current transducer, for measuring DC, AC, and distorted currents, 0 ... 300 A input current, 0 ... 10 V output

The MCR-SL-CUC-100-I is illustrated

Product Features

- Variable mounting on DIN rail and mounting plate
- Compact dimensions also enable distributed use
- Simple connection technology thanks to COMBICON plug-in connection terminal blocks
- 3-way isolation
- Universal current measurement, no shunt required

Key commercial data

package_quantity	1
GTIN	4046356569750

Technical data

Dimensions

Width	90 mm
Height	33.8 mm
Depth	85 mm

Ambient conditions

Ambient temperature (operation)	-40 °C ... 65 °C
Ambient temperature (storage/transport)	-40 °C ... 85 °C
Degree of protection	IP20

Input data

Input current range	0 A ... 300 A
Overload capacity	3.33 x I _{IN}
Frequency measuring range	20 Hz ... 6000 Hz (0 Hz)
Connection method	Cable design: 32 mm diameter

Output data

Output name	Voltage output
Voltage output signal	0 V ... 10 V
Load/output load voltage output	≥ 10 kΩ

Universal current transducer - MCR-SL-CUC-300-U - 2308302

Technical data

Switching output

Output name	No switching output
--------------------	---------------------

Power supply

Nominal supply voltage	24 V DC
Supply voltage range	20 V DC ... 30 V DC
Max. current consumption	30 mA

Connection data

Conductor cross section solid min.	0.25 mm ²
Conductor cross section solid max.	2.5 mm ²
Conductor cross section stranded min.	0.2 mm ²
Conductor cross section stranded max.	2.5 mm ²
Conductor cross section AWG/kcmil min.	24
Conductor cross section AWG/kcmil max	12
Stripping length	10 mm

General

Maximum transmission error	<± 1 % (of final value)
Temperature coefficient, typical	0.02 %/K (0 ... 60°C)
Temperature coefficient, typical	0.04 %/K (-40 ... 65°C)
Linearity error	<± 1 % (From the range end value)
Step response (10-90%)	150 ms
Surge voltage category	III
Pollution degree	2
Rated insulation voltage	300 V AC
Color	green
Housing material	Frianyl B63 V0 GV30
Conformance	CE-compliant
UL, USA / Canada	UL/C-UL listed UL 508

classifications

eCl@ss

eCl@ss 4.0	27200303
eCl@ss 4.1	27200303
eCl@ss 5.0	27200303
eCl@ss 5.1	27210902
eCl@ss 6.0	27210902
eCl@ss 7.0	27210902
eCl@ss 8.0	27210902

ETIM

ETIM 3.0	EC002475
ETIM 4.0	EC002048

Universal current transducer - MCR-SL-CUC-300-U - 2308302

classifications

ETIM

ETIM 5.0	EC002475
-----------------	----------

UNSPSC

UNSPSC 6.01	30211506
UNSPSC 7.0901	39121008
UNSPSC 11	39121008
UNSPSC 12.01	39121008
UNSPSC 13.2	39121008

approvals

UL Listed / cUL Listed / cULus Listed /

Approval details

UL Listed

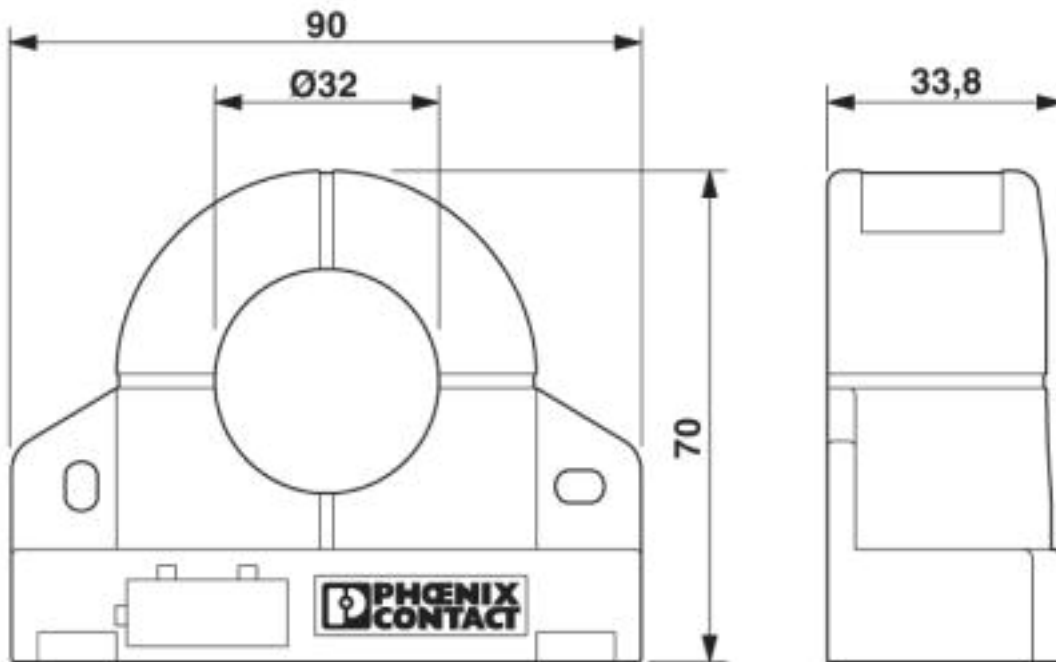
cUL Listed

cULus Listed

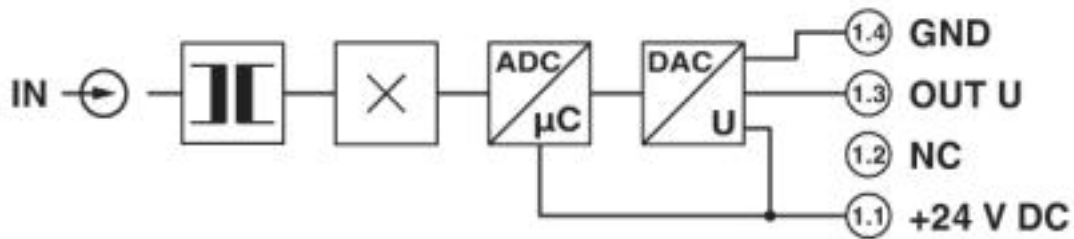
Drawings

Universal current transducer - MCR-SL-CUC-300-U - 2308302

Dimensioned drawing

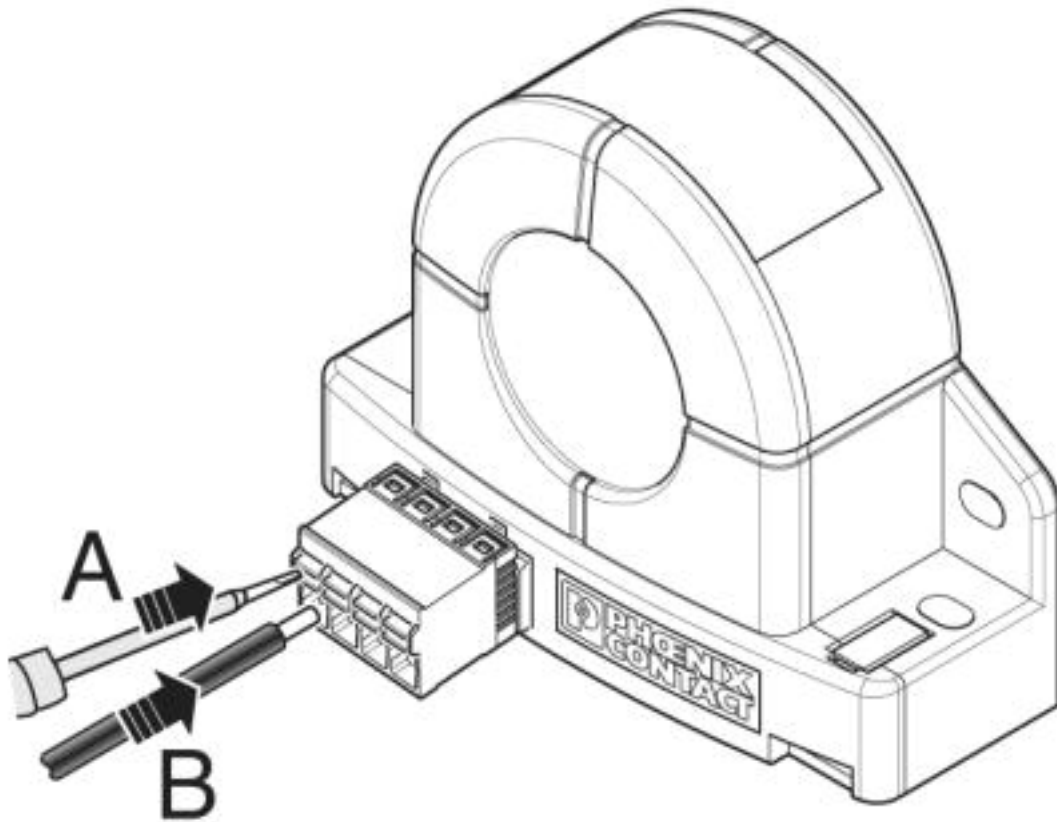


Circuit diagram



Universal current transducer - MCR-SL-CUC-300-U - 2308302

Schematic diagram



© Phoenix Contact 2013 - all rights reserved
<http://www.phoenixcontact.com>