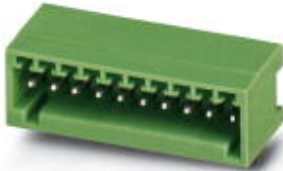


Base strip - MC 0,5/ 5-G-2,5 - 1881477

Please be informed that the data shown in this PDF Document is generated from our Online Catalog. Please find the complete data in the user's documentation. Our General Terms of Use for Downloads are valid (<http://download.phoenixcontact.com>)



Header, Nominal current: 4 A, Rated voltage (III/2): 160 V, Number of positions: 5, Pitch: 2.5 mm, Color: green, Contact surface: Tin, Assembly: Soldering

The figure shows a 10-position version of the product

Product Features

- Low-profile pin strips with a compact MICRO pitch of 2.5 mm
- Plug-in direction parallel and vertical to the PCB
- Individual position coding by inserting coding profiles

Key commercial data

package_quantity	50
GTIN	4017918156718

Technical data

Dimensions

Length	10.1 mm
Height	8.1 mm
Pitch	2.5 mm
Dimension a	10 mm
Pin dimensions	0,8 x 0,8 mm
Hole diameter	1.2 mm

General

Range of articles	MC 0,5/...-G
Insulating material group	I
Rated surge voltage (III/3)	1.5 kV
Rated surge voltage (III/2)	2.5 kV
Rated surge voltage (II/2)	2.5 kV
Rated voltage (III/3)	80 V
Rated voltage (III/2)	160 V
Rated voltage (II/2)	320 V
Connection in acc. with standard	EN-VDE
Nominal current I _N	4 A
Maximum load current	4 A
Insulating material	PA

Base strip - MC 0,5/ 5-G-2,5 - 1881477

Technical data

General

Inflammability class according to UL 94	V0
Color	green
Number of positions	5

classifications

eCl@ss

eCl@ss 4.0	272607xx
eCl@ss 4.1	27260701
eCl@ss 5.0	27260701
eCl@ss 5.1	27260701
eCl@ss 6.0	27260704
eCl@ss 7.0	27440402
eCl@ss 8.0	27440402

ETIM

ETIM 3.0	EC001121
ETIM 4.0	EC002637
ETIM 5.0	EC002637


UNSPSC

UNSPSC 6.01	30211810
UNSPSC 7.0901	39121409
UNSPSC 11	39121409
UNSPSC 12.01	39121409
UNSPSC 13.2	39121409

approvals

UL Recognized / VDE Gutachten mit Fertigungsüberwachung / cUL Recognized / GOST / IECCE CB Scheme / GOST / CCA / cULus Recognized /

Approval details

UL Recognized 	
Usegroups	B
Nominal voltage UN	125 V
Nominal current IN	4 A
mm ² /AWG/kcmil	

Base strip - MC 0,5/ 5-G-2,5 - 1881477

approvals

VDE Gutachten mit Fertigungsüberwachung

Nominal voltage UN	80 V
Nominal current IN	4 A
mm ² /AWG/kcmil	

cUL Recognized

Usegroups	B
Nominal voltage UN	125 V
Nominal current IN	4 A
mm ² /AWG/kcmil	

GOST

IECEE CB Scheme

Nominal voltage UN	80 V
Nominal current IN	4 A
mm ² /AWG/kcmil	

CCA

Nominal voltage UN	80 V
Nominal current IN	4 A
mm ² /AWG/kcmil	

cULus Recognized

Base strip - MC 0,5/ 5-G-2,5 - 1881477

accessories

Coding element

CP-MC 0,5 - 1881435



Labeled terminal marker

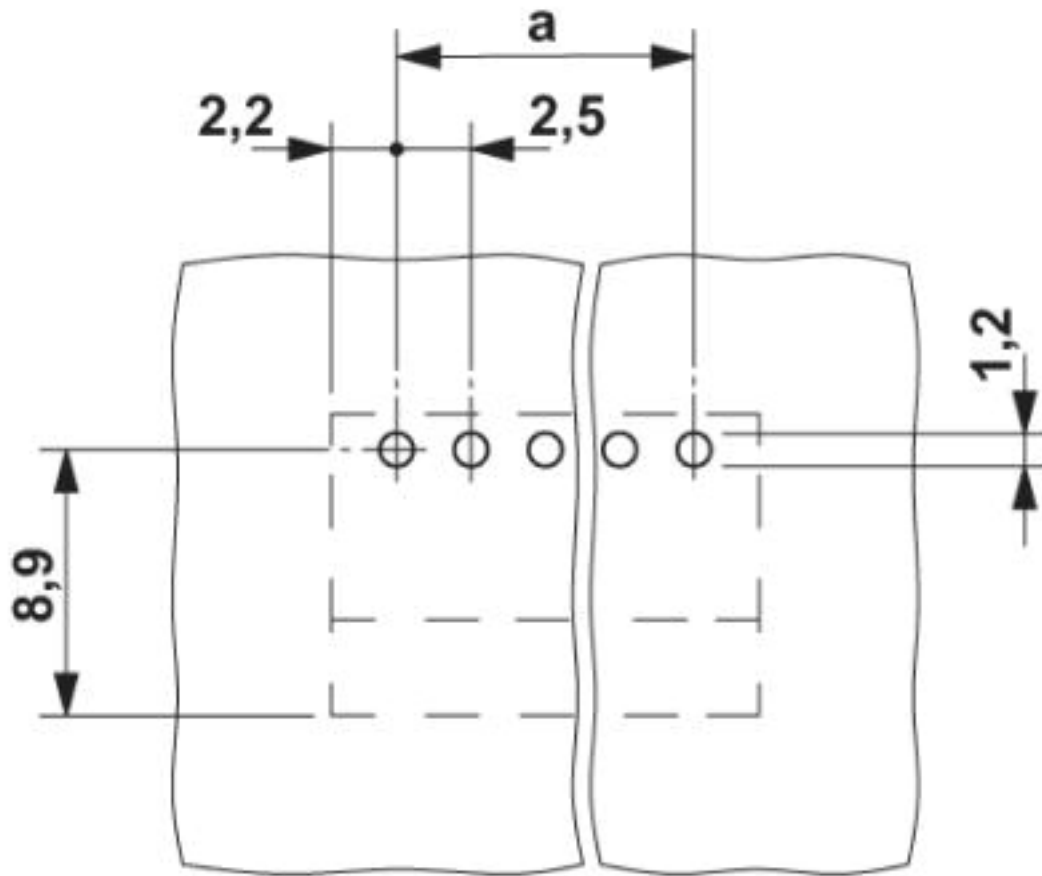
SK 2,54/2,8:FORTL.ZAHLEN - 0804853



Drawings

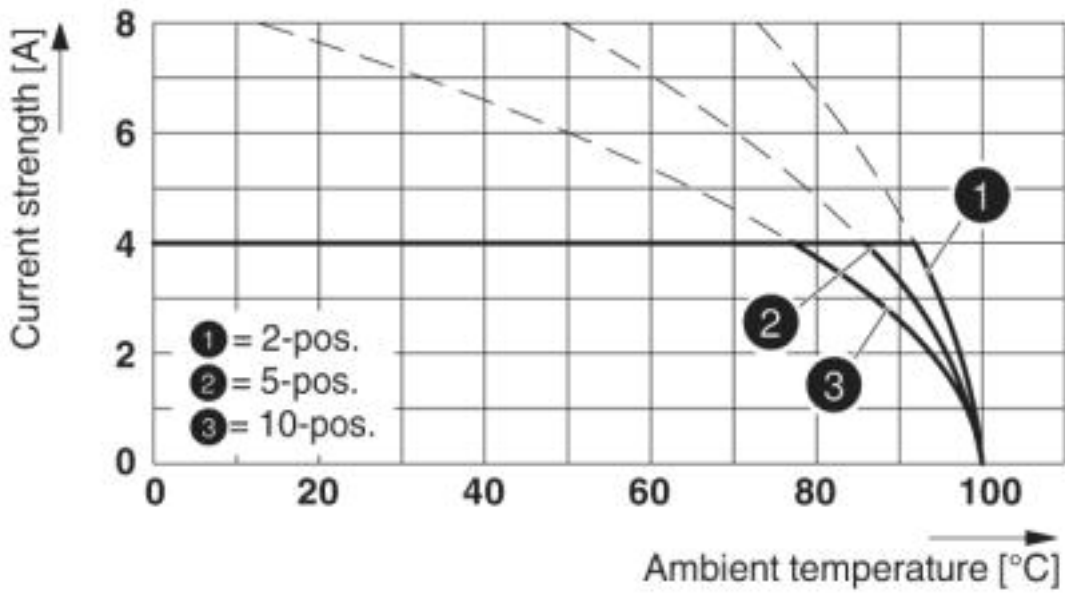
Base strip - MC 0,5/ 5-G-2,5 - 1881477

Drilling diagram



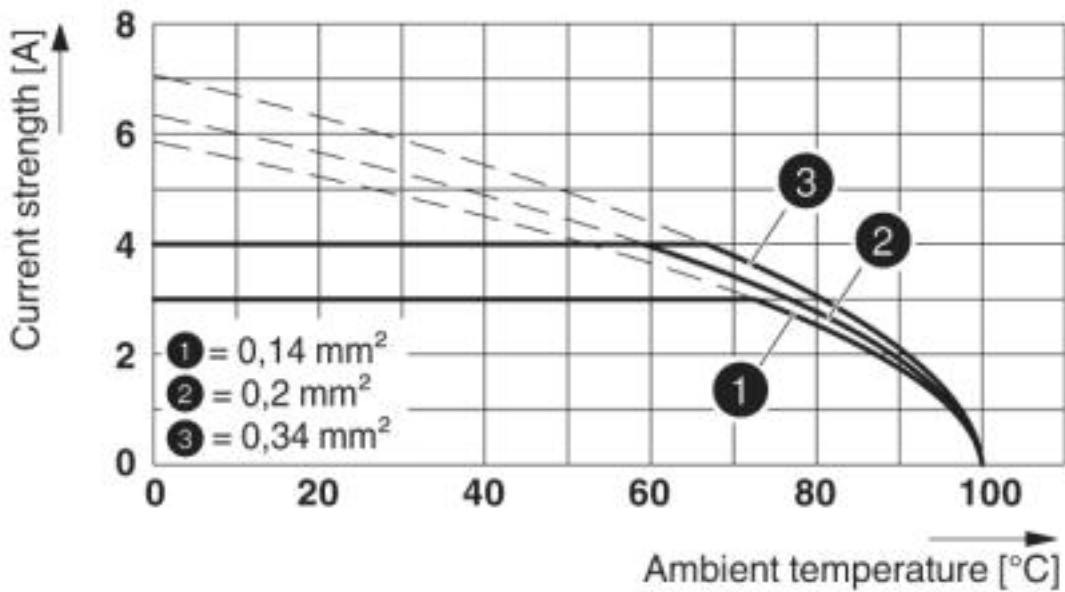
Base strip - MC 0,5/ 5-G-2,5 - 1881477

Diagram



Type: FK-MC 0,5/...-ST-2,5 with MC 0,5/...-G-2,5

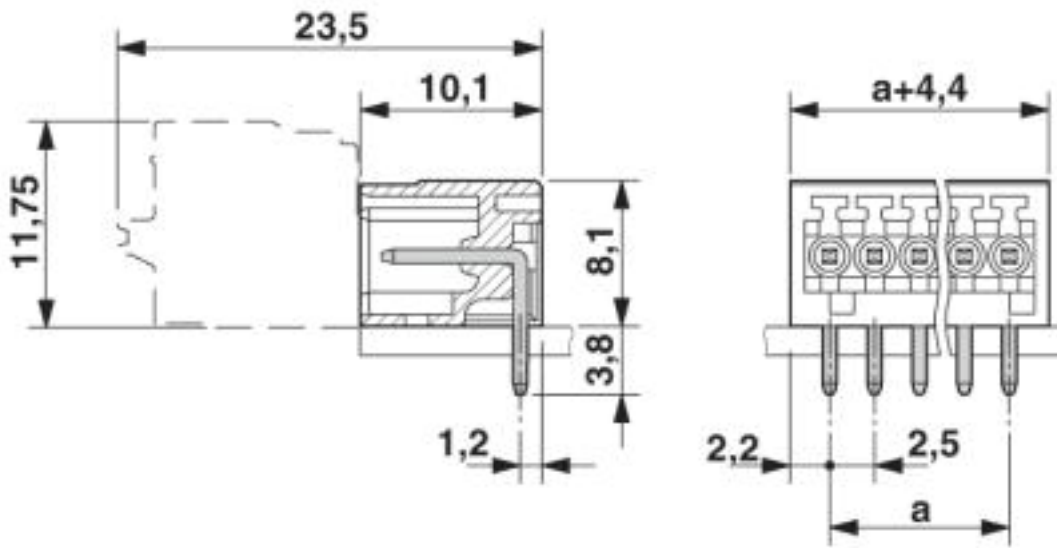
Diagram



Type: FK-MC 0,5/...-ST-2,5 with MC 0,5/...-G-2,5

Base strip - MC 0,5/ 5-G-2,5 - 1881477

Dimensioned drawing



© Phoenix Contact 2013 - all rights reserved
<http://www.phoenixcontact.com>