

## Accessories - MSTBC-MT 1,5-2,5 - 3190551

Please be informed that the data shown in this PDF Document is generated from our Online Catalog. Please find the complete data in the user's documentation. Our General Terms of Use for Downloads are valid (<http://download.phoenixcontact.com>)



Module female contact, is inserted into the plug housing MSTBC after crimping the conductor, for conductors from 1.5 to 2.5 mm<sup>2</sup>

### Key commercial data

<b>package_quantity</b>	100
<b>GTIN</b>	4017918093389

### Technical data

#### General

<b>Nominal current</b>	12 A
<b>Conductor cross section stranded min.</b>	1.5 mm <sup>2</sup>
<b>Max. conductor cross section, stranded</b>	2.5 mm <sup>2</sup>

#### Connection data

<b>Core diameter including insulation</b>	2.11 mm ... 3.1 mm
<b>Stripping length of individual wires</b>	4 mm

#### Material data

<b>Contact material</b>	CuFe
<b>Contact surface material</b>	Tin-plated

### classifications

#### eCl@ss

<b>eCl@ss 4.0</b>	272607xx
<b>eCl@ss 4.1</b>	27260701
<b>eCl@ss 5.0</b>	27260701
<b>eCl@ss 5.1</b>	27260701
<b>eCl@ss 6.0</b>	27260704
<b>eCl@ss 7.0</b>	27449202
<b>eCl@ss 8.0</b>	27449202

#### ETIM

<b>ETIM 3.0</b>	EC001121
<b>ETIM 4.0</b>	EC001121
<b>ETIM 5.0</b>	EC002641

# Accessories - MSTBC-MT 1,5-2,5 - 3190551

## classifications

### UNSPSC

UNSPSC 6.01	30211810
UNSPSC 7.0901	39121410
UNSPSC 11	39121409
UNSPSC 12.01	39121409
UNSPSC 13.2	39121409

## approvals

---

GOST /

---

### Approval details



## accessories

### Crimping tool

CRIMPFOX MT 2,5 - 1204038

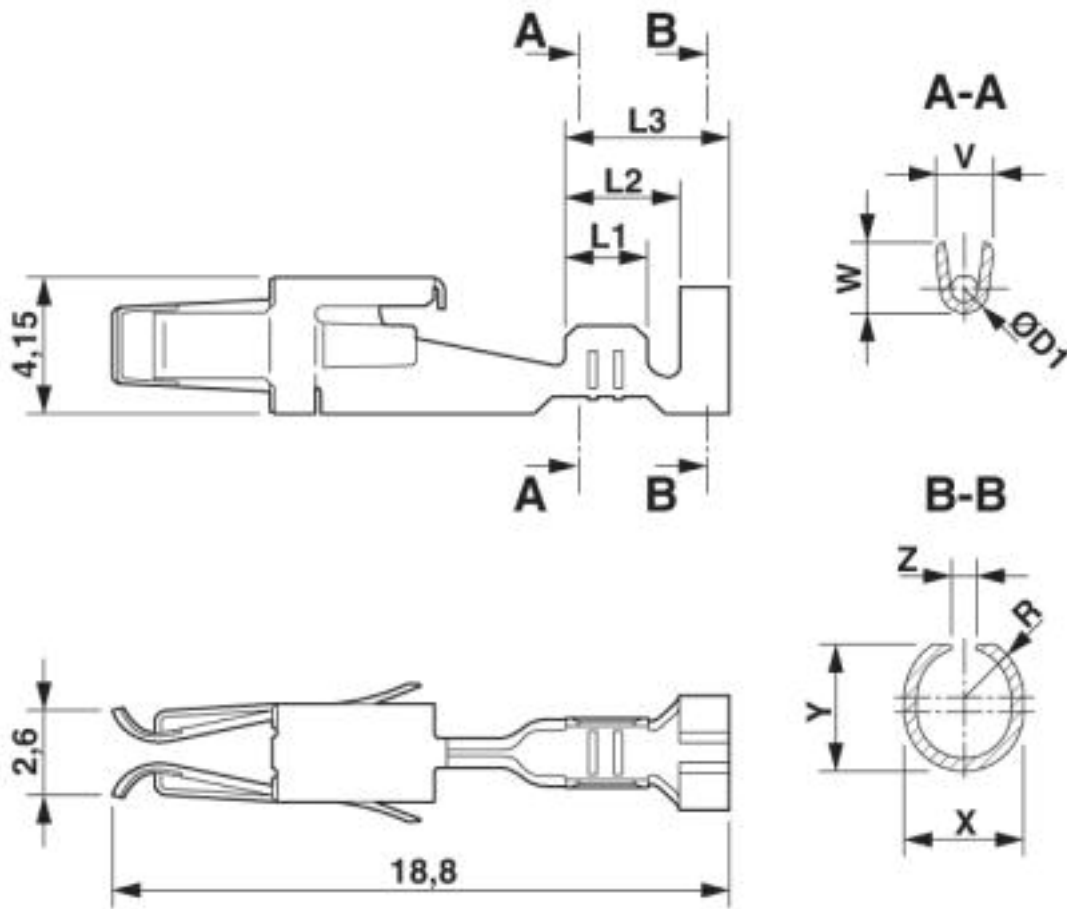


---

## Drawings

# Accessories - MSTBC-MT 1,5-2,5 - 3190551

Dimensioned drawing



© Phoenix Contact 2013 - all rights reserved  
<http://www.phoenixcontact.com>