

Passive module - UM 45-FLK14/LA/PLC - 2962492

Please be informed that the data shown in this PDF Document is generated from our Online Catalog. Please find the complete data in the user's documentation. Our General Terms of Use for Downloads are valid (<http://download.phoenixcontact.com>)



VARIOFACE COMPACT LINE, interface module for 8 channels, with LED, for assembly on DIN rail NS 35/7.5, screw connection



Key commercial data

| | |
|------------------|---------------|
| package_quantity | 1 |
| GTIN | 4017918087197 |

Technical data

Dimensions

| | |
|--------|-------|
| Width | 59 mm |
| Height | 45 mm |
| Depth | 50 mm |

Ambient conditions

| | |
|---|------------------|
| Ambient temperature (operation) | -20 °C ... 50 °C |
| Ambient temperature (storage/transport) | -20 °C ... 70 °C |

General

| | |
|---|-------------------------|
| Nominal voltage U_N | 20 V DC (up to 30 V DC) |
| Max. current carrying capacity per branch | 1 A |
| Max. total current of voltage supply | 3 A |
| Number of positions | 14 |
| Status display | Yellow LED |
| Test voltage | 500 V (50 Hz, 1 min.) |
| Mounting position | Any |
| Standards/regulations | IEC 60664 |
| Standards/regulations | DIN EN 50178 |
| Standards/regulations | VDE 110 |
| Pollution degree | 2 |
| Surge voltage category | II |

Connection data for connection 1

| | |
|-----------------|-------------|
| Connection name | Field level |
|-----------------|-------------|

Passive module - UM 45-FLK14/LA/PLC - 2962492

Technical data

Connection data for connection 1

| | |
|--|----------------------|
| Connection method | Screw connection |
| Number of positions | 14 |
| Conductor cross section solid min. | 0.14 mm ² |
| Conductor cross section solid max. | 1.5 mm ² |
| Conductor cross section stranded min. | 0.14 mm ² |
| Conductor cross section stranded max. | 1.5 mm ² |
| Conductor cross section AWG/kcmil min. | 26 |
| Conductor cross section AWG/kcmil max | 14 |
| Stripping length | 6 mm |
| Screw thread | M3 |

classifications

eCl@ss

| | |
|------------|----------|
| eCl@ss 4.0 | 27250313 |
| eCl@ss 4.1 | 27250313 |
| eCl@ss 5.0 | 27250313 |
| eCl@ss 5.1 | 27250313 |
| eCl@ss 6.0 | 27371601 |
| eCl@ss 7.0 | 27371601 |
| eCl@ss 8.0 | 27371601 |

ETIM

| | |
|----------|----------|
| ETIM 2.0 | EC001437 |
| ETIM 3.0 | EC001437 |
| ETIM 4.0 | EC001437 |
| ETIM 5.0 | EC001437 |

UNSPSC

| | |
|---------------|----------|
| UNSPSC 6.01 | 30211824 |
| UNSPSC 7.0901 | 39121421 |
| UNSPSC 11 | 39121421 |
| UNSPSC 12.01 | 39121421 |
| UNSPSC 13.2 | 39121421 |

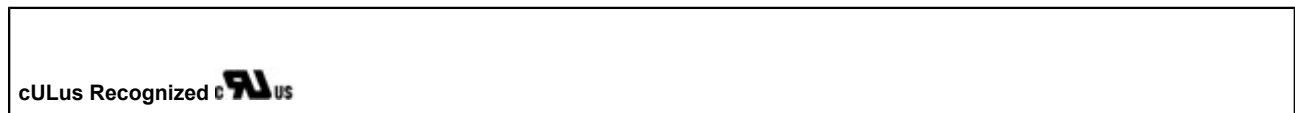
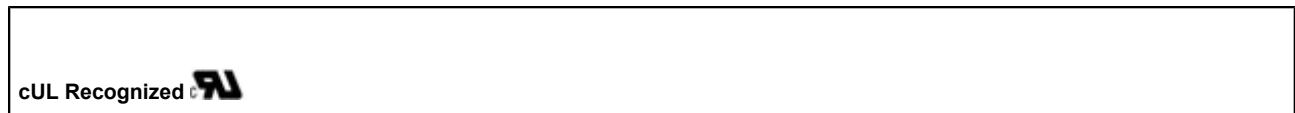
approvals

UL Recognized / cUL Recognized / GOST / cULus Recognized /

Approval details

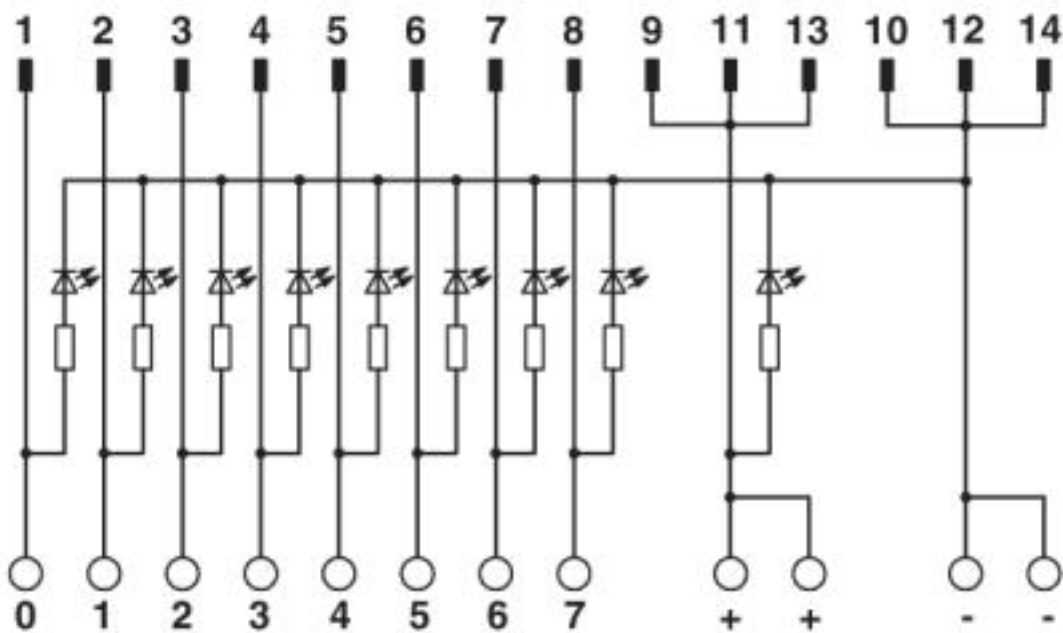
Passive module - UM 45-FLK14/LA/PLC - 2962492

approvals



Drawings

Circuit diagram



UM 45-FLK14/LA/PLC connection scheme

© Phoenix Contact 2013 - all rights reserved
<http://www.phoenixcontact.com>