

# Current monitoring - MCR-SL-S- 16-SP- 24 - 2864464

Please be informed that the data shown in this PDF Document is generated from our Online Catalog. Please find the complete data in the user's documentation. Our General Terms of Use for Downloads are valid (<http://download.phoenixcontact.com>)



MCR contactor, for sinusoidal alternating currents 0 ... 16 A AC/ 1 PDT

## Product Features

- Adjustable switching hysteresis
- Relay PDT output
- 3-way isolation
- Adjustable operating/closed circuit current behavior
- Switching point can be freely selected in the measuring range of 0 16 A AC



## Key commercial data

<b>package_quantity</b>	1
<b>GTIN</b>	4017918904456

## Technical data

Note:

<b>Utilization restriction</b>	EMC: class A product, see manufacturer's declaration in the download area
--------------------------------	---

## Dimensions

<b>Width</b>	22.5 mm
<b>Height</b>	99 mm
<b>Depth</b>	114.5 mm

## Ambient conditions

<b>Ambient temperature (operation)</b>	-20 °C ... 65 °C
<b>Degree of protection</b>	IP20

## Input data

<b>Input</b>	Current measuring input
<b>Input current range</b>	0 A AC ... 16 A AC
<b>Impulse form</b>	Sine
<b>Overload capacity</b>	2 x I <sub>N</sub> (continuous)

# Current monitoring - MCR-SL-S- 16-SP- 24 - 2864464

## Technical data

### Input data

Nominal frequency $f_N$	50 Hz
Nominal frequency $f_N$	60 Hz
Frequency measuring range	45 Hz ... 65 Hz
Connection method	Through connection, diameter 4.2 mm

### Switching output

Output name	Relay output
Contact type	1 PDT
Contact material	AgSnO, hard gold-plated
Maximum switching voltage	30 V AC
Maximum switching voltage	36 V DC
Maximum switching voltage	250 V AC
Limiting continuous current	50 mA (for gold layer, 30 V AC/ 36 V DC)
Limiting continuous current	2 A (in case of a destroyed gold layer, 250 V AC)
Setting range of the response delay	typ. 0.1 s ... 10 s (Adjustable using a potentiometer)

### Power supply

Supply voltage range	20 V DC ... 30 V DC
Max. current consumption	< 30 mA

### Connection data

Connection method	Screw connection
Conductor cross section solid min.	0.2 mm <sup>2</sup>
Conductor cross section solid max.	2.5 mm <sup>2</sup>
Conductor cross section stranded min.	0.2 mm <sup>2</sup>
Conductor cross section stranded max.	2.5 mm <sup>2</sup>
Conductor cross section AWG/kcmil min.	24
Conductor cross section AWG/kcmil max	14
Stripping length	8 mm
Screw thread	M3

### General

Maximum temperature coefficient	< 0.02 %/K
Step response (10-90%)	40 ms
Surge voltage category	III
Pollution degree	2
Rated insulation voltage	300 V AC (to earth)
Test voltage input/output	4 kV (50 Hz, 1 min.)
Test voltage input/power supply	4 kV (50 Hz, 1 min.)
Color	green
Housing material	Polyamide PA non-reinforced
Mounting position	Any
Conformance	CE-compliant

# Current monitoring - MCR-SL-S- 16-SP- 24 - 2864464

## classifications

### eCl@ss

eCl@ss 4.0	27210902
eCl@ss 4.1	27210902
eCl@ss 5.0	27210902
eCl@ss 5.1	27210902
eCl@ss 6.0	27210902
eCl@ss 7.0	27210902
eCl@ss 8.0	27210902

### ETIM

ETIM 2.0	EC001440
ETIM 3.0	EC001440
ETIM 4.0	EC001440
ETIM 5.0	EC001440

### UNSPSC

UNSPSC 6.01	30211916
UNSPSC 7.0901	39121535
UNSPSC 11	39121535
UNSPSC 12.01	39121535
UNSPSC 13.2	39121535

## approvals

UL Recognized / cUL Recognized / GOST / cULus Recognized /

### Approval details

UL Recognized

cUL Recognized

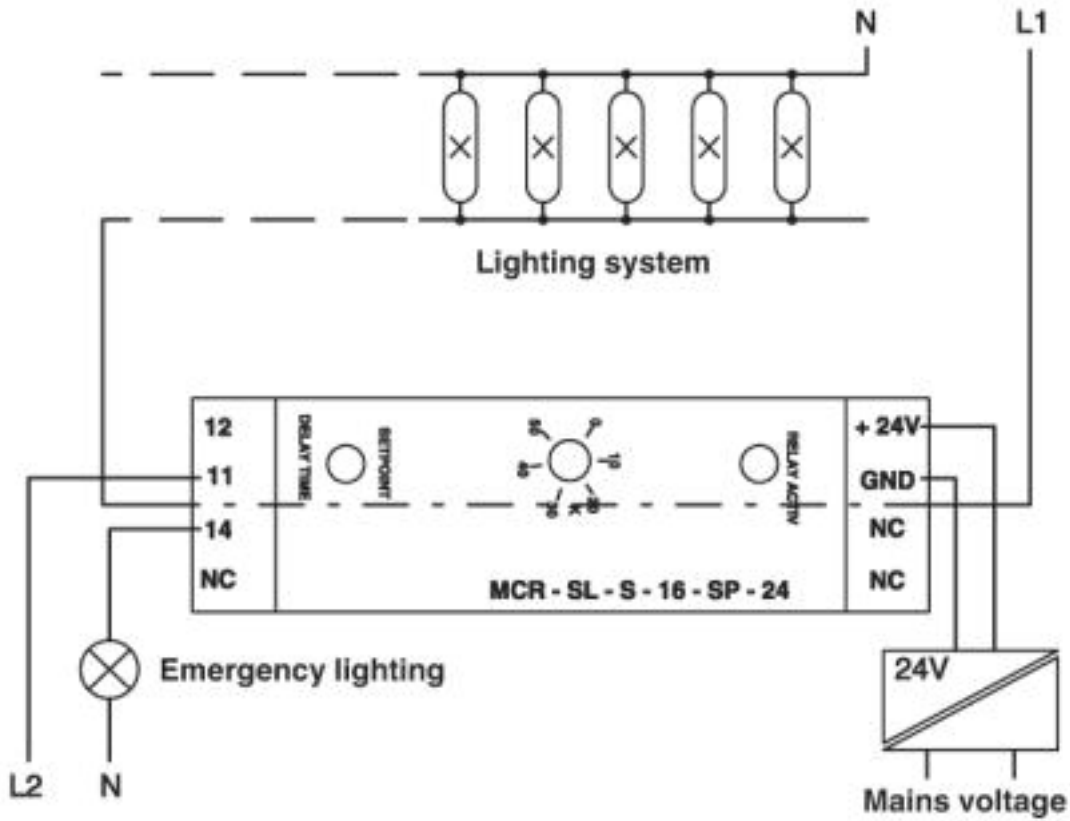
GOST

cULus Recognized

# Current monitoring - MCR-SL-S- 16-SP- 24 - 2864464

## Drawings

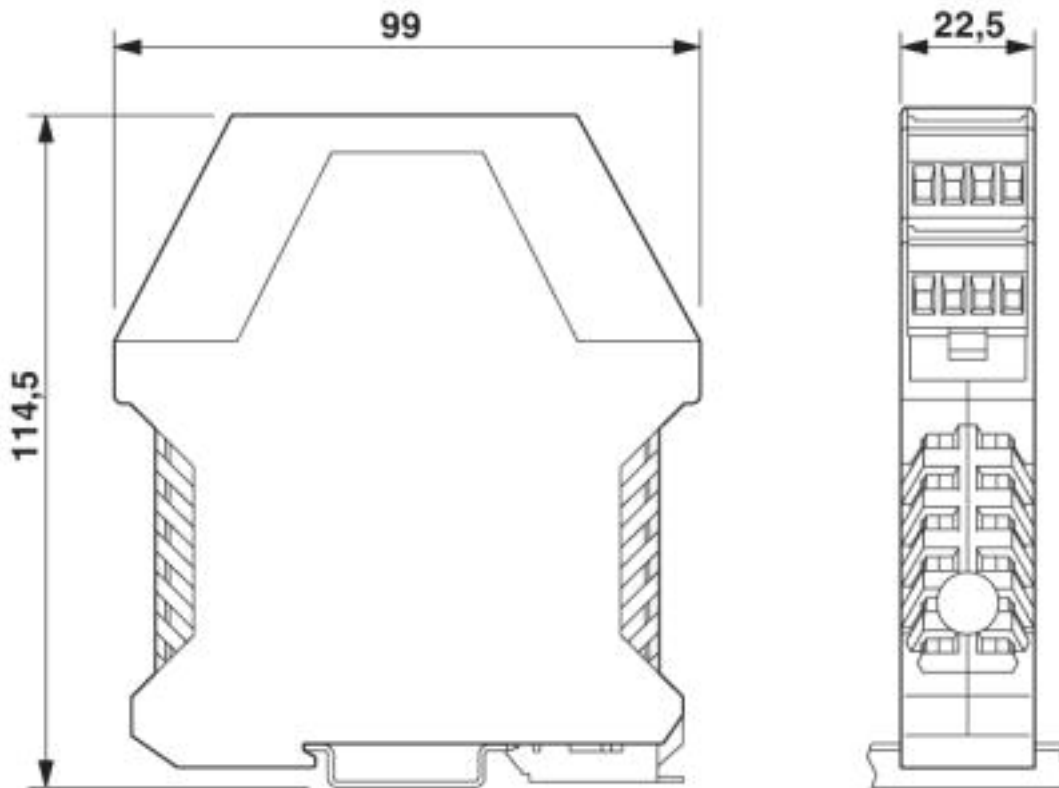
Application drawing



Lighting system with emergency lighting

# Current monitoring - MCR-SL-S- 16-SP- 24 - 2864464

Dimensioned drawing



Circuit diagram

