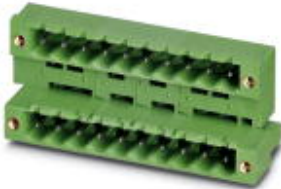


# Housing - MDSTB 2,5/12-GF-5,08 - 1842461

Please be informed that the data shown in this PDF Document is generated from our Online Catalog. Please find the complete data in the user's documentation. Our General Terms of Use for Downloads are valid (<http://download.phoenixcontact.com>)



Header, Nominal current: 10 A, Rated voltage (III/2): 320 V, Number of positions: 12, Pitch: 5.08 mm, Color: green, Contact surface: Tin, Assembly: Soldering, The article can be aligned to create different nos. of positions! In combination with MVSTB or FKCV plug components, both an MVSTBW (or FKCVW) and an MVSTBR plug (or FKCVR) must be used. Combination with TMSTBP plug components is not possible!

The figure shows a 10-pos. version with 20 contacts

## Product Features

- Double-level header with offset levels
- Plug-in direction parallel to the PCB
- High contact density
- Improved view and access to lower level
- Add-on ejectors for high-pos. connectors should be mounted to the left and right

## Key commercial data

<b>package_quantity</b>	50
<b>GTIN</b>	4017918184674

## Technical data

### Dimensions

<b>Length</b>	22.1 mm
<b>Pitch</b>	5.08 mm
<b>Dimension a</b>	55.88 mm
<b>Pin dimensions</b>	1 x 1 mm
<b>Hole diameter</b>	1.4 mm

### General

<b>Range of articles</b>	MDSTB 2,5/..-GF
<b>Insulating material group</b>	I
<b>Rated surge voltage (III/3)</b>	4 kV
<b>Rated surge voltage (III/2)</b>	4 kV
<b>Rated surge voltage (II/2)</b>	4 kV
<b>Rated voltage (III/3)</b>	250 V
<b>Rated voltage (III/2)</b>	320 V
<b>Rated voltage (II/2)</b>	400 V
<b>Nominal current I<sub>N</sub></b>	10 A
<b>Maximum load current</b>	10 A
<b>Insulating material</b>	PBT

# Housing - MDSTB 2,5/12-GF-5,08 - 1842461

## Technical data

### General

<b>Inflammability class according to UL 94</b>	V0
<b>Color</b>	green
<b>Number of positions</b>	12

## classifications

### eCl@ss

<b>eCl@ss 4.0</b>	272607xx
<b>eCl@ss 4.1</b>	27260701
<b>eCl@ss 5.0</b>	27260701
<b>eCl@ss 5.1</b>	27260701
<b>eCl@ss 6.0</b>	27260704
<b>eCl@ss 7.0</b>	27440402
<b>eCl@ss 8.0</b>	27440402

### ETIM

<b>ETIM 3.0</b>	EC001121
<b>ETIM 4.0</b>	EC002637
<b>ETIM 5.0</b>	EC002637


### UNSPSC

<b>UNSPSC 6.01</b>	30211810
<b>UNSPSC 7.0901</b>	39121409
<b>UNSPSC 11</b>	39121409
<b>UNSPSC 12.01</b>	39121409
<b>UNSPSC 13.2</b>	39121409

## approvals

UL Recognized / VDE Gutachten mit Fertigungsüberwachung / cUL Recognized / GOST / IECCE CB Scheme / GOST / CCA / cULus Recognized /

### Approval details

<b>UL Recognized</b> 		
<b>Usegroups</b>	<b>B</b>	<b>D</b>
Nominal voltage UN	300 V	300 V
Nominal current IN	15 A	10 A
mm <sup>2</sup> /AWG/kcmil		

# Housing - MDSTB 2,5/12-GF-5,08 - 1842461

## approvals

**VDE Gutachten mit Fertigungsüberwachung**

Nominal voltage UN	250 V
Nominal current IN	10 A
mm <sup>2</sup> /AWG/kcmil	

**cUL Recognized**

Usegroups	B	D
Nominal voltage UN	300 V	300 V
Nominal current IN	15 A	10 A
mm <sup>2</sup> /AWG/kcmil		

**GOST**

**IECEE CB Scheme**

Nominal voltage UN	250 V
Nominal current IN	10 A
mm <sup>2</sup> /AWG/kcmil	

**CCA**

Nominal voltage UN	250 V
Nominal current IN	10 A
mm <sup>2</sup> /AWG/kcmil	

**cULus Recognized**

# Housing - MDSTB 2,5/12-GF-5,08 - 1842461

accessories

## Filler plug

MSTB-BL - 1755477



---

## Coding element

CR-MSTB - 1734401



---

## Labeled terminal marker

SK 5,08/3,8:FORTL.ZAHLEN - 0804293

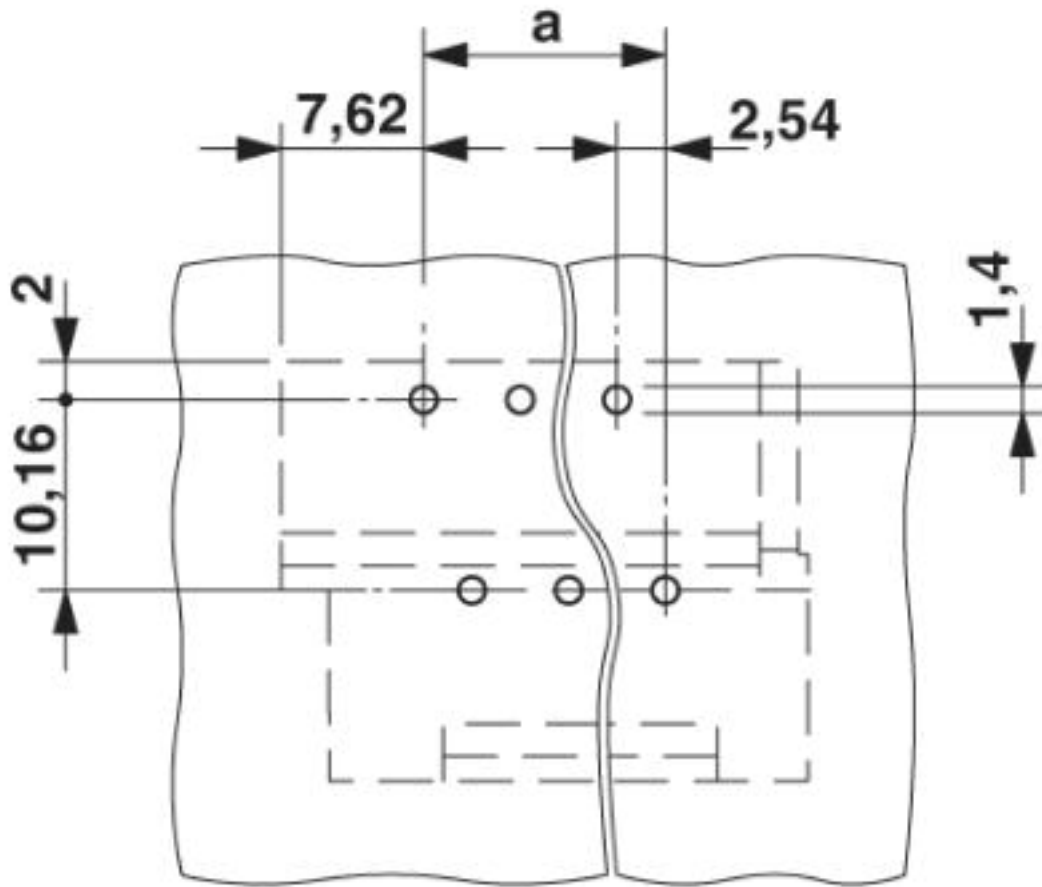


---

## Drawings

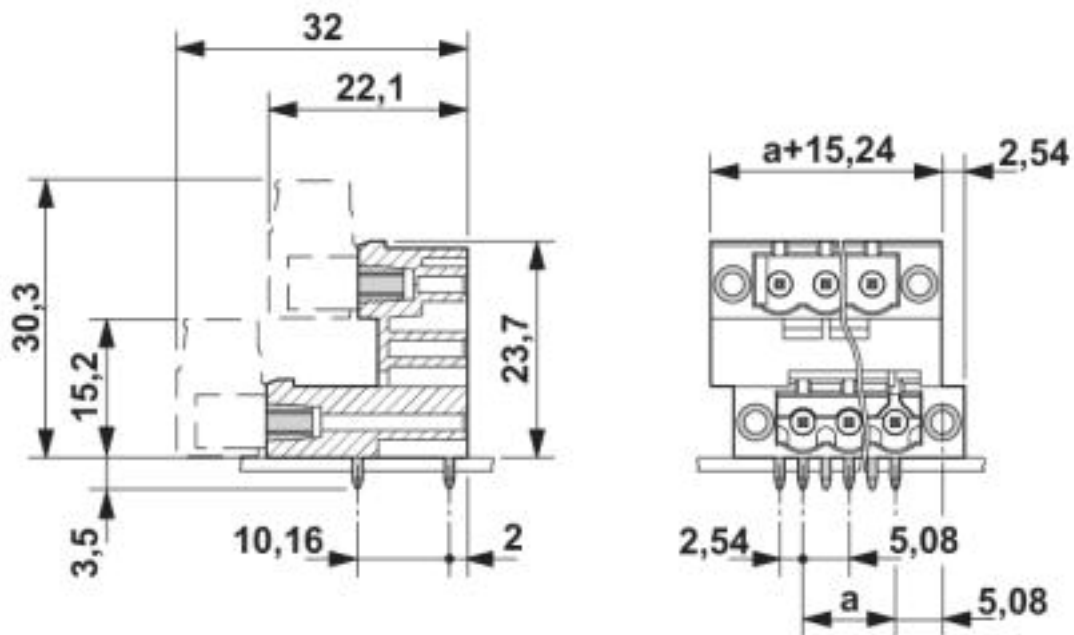
# Housing - MDSTB 2,5/12-GF-5,08 - 1842461

Drilling diagram



# Housing - MDSTB 2,5/12-GF-5,08 - 1842461

Dimensioned drawing



© Phoenix Contact 2013 - all rights reserved  
<http://www.phoenixcontact.com>