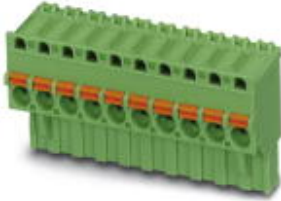


# Printed-circuit board connector - FKCVR 2,5/ 4-ST-5,08 - 1873977

Please be informed that the data shown in this PDF Document is generated from our Online Catalog. Please find the complete data in the user's documentation. Our General Terms of Use for Downloads are valid (<http://download.phoenixcontact.com>)



Plug component, Nominal current: 12 A, Rated voltage (III/2): 320 V, Number of positions: 4, Pitch: 5.08 mm, Connection method: Spring-cage conn., Color: green, Contact surface: Tin

The figure shows a 10-position version of the product

## Product Features

- Fast conductor connection thanks to Push-in spring-cage connection
- Conductor entry on the coding side of the plug
- Two test connections for accommodating 2 mm Ø test pins or 2.3 mm Ø test plug

## Key commercial data

package_quantity	50
GTIN	4017918143367

## Technical data

### Dimensions

Pitch	5.08 mm
Dimension a	15.24 mm

### General

Range of articles	FKCVR 2,5/..-ST
Insulating material group	I
Rated surge voltage (III/3)	4 kV
Rated surge voltage (III/2)	4 kV
Rated surge voltage (II/2)	4 kV
Rated voltage (III/3)	250 V
Rated voltage (III/2)	320 V
Rated voltage (II/2)	630 V
Connection in acc. with standard	EN-VDE
Nominal current I <sub>N</sub>	12 A
Nominal cross section	2.5 mm <sup>2</sup>
Maximum load current	12 A
Insulating material	PA
Inflammability class according to UL 94	V0
Internal cylindrical gage	A2
Stripping length	10 mm

# Printed-circuit board connector - FKCVR 2,5/ 4-ST-5,08 - 1873977

## Technical data

### General

<b>Number of positions</b>	4
----------------------------	---

### Connection data

<b>Conductor cross section solid min.</b>	0.2 mm <sup>2</sup>
<b>Conductor cross section solid max.</b>	2.5 mm <sup>2</sup>
<b>Conductor cross section stranded min.</b>	0.2 mm <sup>2</sup>
<b>Conductor cross section stranded max.</b>	2.5 mm <sup>2</sup>
<b>Conductor cross section stranded, with ferrule without plastic sleeve min.</b>	0.25 mm <sup>2</sup>
<b>Conductor cross section stranded, with ferrule without plastic sleeve max.</b>	2.5 mm <sup>2</sup>
<b>Conductor cross section stranded, with ferrule with plastic sleeve min.</b>	0.25 mm <sup>2</sup>
<b>Conductor cross section stranded, with ferrule with plastic sleeve max.</b>	2.5 mm <sup>2</sup>
<b>Conductor cross section AWG/kcmil min.</b>	24
<b>Conductor cross section AWG/kcmil max</b>	12
<b>2 conductors with same cross section, stranded, TWIN ferrules with plastic sleeve, min.</b>	0.5 mm <sup>2</sup>
<b>2 conductors with same cross section, stranded, TWIN ferrules with plastic sleeve, max.</b>	1.5 mm <sup>2</sup>
<b>Minimum AWG according to UL/CUL</b>	26
<b>Maximum AWG according to UL/CUL</b>	12

## classifications

### eCl@ss

<b>eCl@ss 4.0</b>	272607xx
<b>eCl@ss 4.1</b>	27260701
<b>eCl@ss 5.0</b>	27260701
<b>eCl@ss 5.1</b>	27260701
<b>eCl@ss 6.0</b>	27260704
<b>eCl@ss 7.0</b>	27440402
<b>eCl@ss 8.0</b>	27440402

### ETIM

<b>ETIM 3.0</b>	EC001121
<b>ETIM 4.0</b>	EC002638
<b>ETIM 5.0</b>	EC002638

### UNSPSC

<b>UNSPSC 6.01</b>	30211810
<b>UNSPSC 7.0901</b>	39121409
<b>UNSPSC 11</b>	39121409
<b>UNSPSC 12.01</b>	39121409

# Printed-circuit board connector - FKCVR 2,5/ 4-ST-5,08 - 1873977

## classifications

### UNSPSC

<b>UNSPSC 13.2</b>	39121409
--------------------	----------

## approvals

UL Recognized / VDE Gutachten mit Fertigungsüberwachung / cUL Recognized / GOST / IECCE CB Scheme / GOST / CCA / cULus Recognized /

### Approval details

**UL Recognized**

Usegroups	B	D
Nominal voltage UN	300 V	300 V
Nominal current IN	10 A	10 A
mm <sup>2</sup> /AWG/kcmil	26-12	26-12

**VDE Gutachten mit Fertigungsüberwachung**

Nominal voltage UN	250 V
Nominal current IN	12 A
mm <sup>2</sup> /AWG/kcmil	0.2-2.5

**cUL Recognized**

Usegroups	B	D
Nominal voltage UN	300 V	300 V
Nominal current IN	10 A	10 A
mm <sup>2</sup> /AWG/kcmil	26-12	26-12

**GOST**

**IECEE CB Scheme**

Nominal voltage UN	250 V
--------------------	-------

# Printed-circuit board connector - FKCVR 2,5/ 4-ST-5,08 - 1873977

## approvals

Nominal current I <sub>N</sub>	12 A
mm <sup>2</sup> /AWG/kcmil	0.2-2.5



<b>CCA</b>	
Nominal voltage U <sub>N</sub>	250 V
Nominal current I <sub>N</sub>	12 A
mm <sup>2</sup> /AWG/kcmil	0.2-2.5



## accessories

### Coding element

CP-MSTB - 1734634



---

### Test plug terminal block

MPS-MT - 0201744



RPS - 0201647



## Printed-circuit board connector - FKCVR 2,5/ 4-ST-5,08 - 1873977

accessories

---

### Screwdriver tools

SZS 0,6X3,5 - 1205053



### Labeled terminal marker

SK 5,08/3,8:FORTL.ZAHLEN - 0804293



accessories

---

STZ 4-FKC-5,08 - 1876877



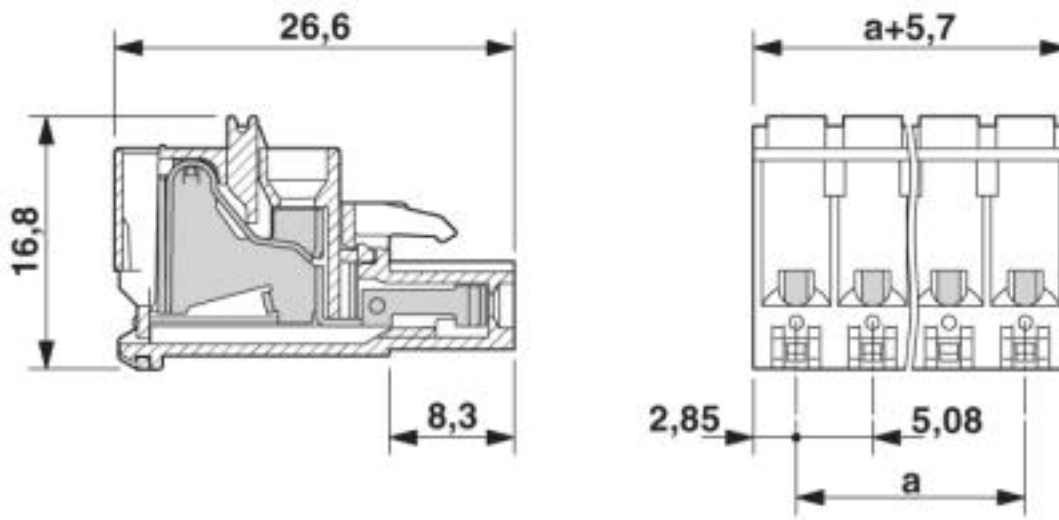
STZ 8-FKC-5,08 - 1876880

---

Drawings

# Printed-circuit board connector - FKCVR 2,5/ 4-ST-5,08 - 1873977

Dimensioned drawing



© Phoenix Contact 2013 - all rights reserved  
<http://www.phoenixcontact.com>