

Printed-circuit board connector - FKCN 2,5/ 4-ST-5,08 - 1754584

Please be informed that the data shown in this PDF Document is generated from our Online Catalog. Please find the complete data in the user's documentation. Our General Terms of Use for Downloads are valid (<http://download.phoenixcontact.com>)



Plug component, Nominal current: 12 A, Rated voltage (III/2): 320 V, Number of positions: 4, Pitch: 5.08 mm, Connection method: Spring-cage conn., Color: green, Contact surface: Tin

The figure shows a 10-position version of the product

Product Features

- Maximum contact and packing density in combination with double-level CCDN 2,5 headers
- User-friendly actuation of the terminal point using a screwdriver
- Wiring space for conductor cross sections up to 2.5 mm²
- Ultra-flat design height of just 10.9 mm
- Plug-in direction parallel to the conductor axis
- Fast conductor connection thanks to Push-in spring-cage connection

Key commercial data

| | |
|-------------------------|---------------|
| package_quantity | 50 |
| GTIN | 4046356329545 |

Technical data

Dimensions

| | |
|--------------------|----------|
| Pitch | 5.08 mm |
| Dimension a | 15.24 mm |

General

| | |
|---|---------------------|
| Range of articles | FKCN 2,5/..-ST |
| Insulating material group | I |
| Rated surge voltage (III/3) | 4 kV |
| Rated surge voltage (III/2) | 4 kV |
| Rated surge voltage (II/2) | 4 kV |
| Rated voltage (III/3) | 320 V |
| Rated voltage (III/2) | 320 V |
| Rated voltage (II/2) | 630 V |
| Connection in acc. with standard | EN-VDE |
| Nominal current I_N | 12 A |
| Nominal cross section | 2.5 mm ² |
| Maximum load current | 12 A |
| Insulating material | PA |

Printed-circuit board connector - FKCN 2,5/ 4-ST-5,08 - 1754584

Technical data

General

| | |
|---|-------|
| Inflammability class according to UL 94 | V0 |
| Stripping length | 10 mm |
| Number of positions | 4 |

Connection data

| | |
|--|----------------------|
| Conductor cross section solid min. | 0.2 mm ² |
| Conductor cross section solid max. | 1.5 mm ² |
| Conductor cross section stranded min. | 0.2 mm ² |
| Conductor cross section stranded max. | 2.5 mm ² |
| Conductor cross section stranded, with ferrule without plastic sleeve min. | 0.25 mm ² |
| Conductor cross section stranded, with ferrule without plastic sleeve max. | 1.5 mm ² |
| Conductor cross section stranded, with ferrule with plastic sleeve min. | 0.25 mm ² |
| Conductor cross section stranded, with ferrule with plastic sleeve max. | 1.5 mm ² |
| Conductor cross section AWG/kcmil min. | 24 |
| Conductor cross section AWG/kcmil max | 16 |
| Minimum AWG according to UL/CUL | 24 |
| Maximum AWG according to UL/CUL | 14 |

classifications

eCl@ss

| | |
|------------|----------|
| eCl@ss 4.0 | 272607xx |
| eCl@ss 4.1 | 27260701 |
| eCl@ss 5.0 | 27260701 |
| eCl@ss 5.1 | 27260701 |
| eCl@ss 6.0 | 27260704 |
| eCl@ss 7.0 | 27440402 |
| eCl@ss 8.0 | 27440402 |

ETIM

| | |
|----------|----------|
| ETIM 3.0 | EC001121 |
| ETIM 4.0 | EC002638 |
| ETIM 5.0 | EC002638 |

UNSPSC

| | |
|---------------|----------|
| UNSPSC 6.01 | 30211810 |
| UNSPSC 7.0901 | 39121409 |
| UNSPSC 11 | 39121409 |
| UNSPSC 12.01 | 39121409 |
| UNSPSC 13.2 | 39121409 |

Printed-circuit board connector - FKCN 2,5/ 4-ST-5,08 - 1754584

approvals

UL Recognized / cUL Recognized / GOST / GOST / cULus Recognized /

Approval details

| UL Recognized | | |
|----------------------------|-------|-------|
| Usegroups | B | D |
| Nominal voltage UN | 300 V | 300 V |
| Nominal current IN | 10 A | 10 A |
| mm ² /AWG/kcmil | 24-14 | 24-14 |

| cUL Recognized | | |
|----------------------------|-------|-------|
| Usegroups | B | D |
| Nominal voltage UN | 300 V | 300 V |
| Nominal current IN | 10 A | 10 A |
| mm ² /AWG/kcmil | 24-14 | 24-14 |

| |
|-------------|
| GOST |
|-------------|

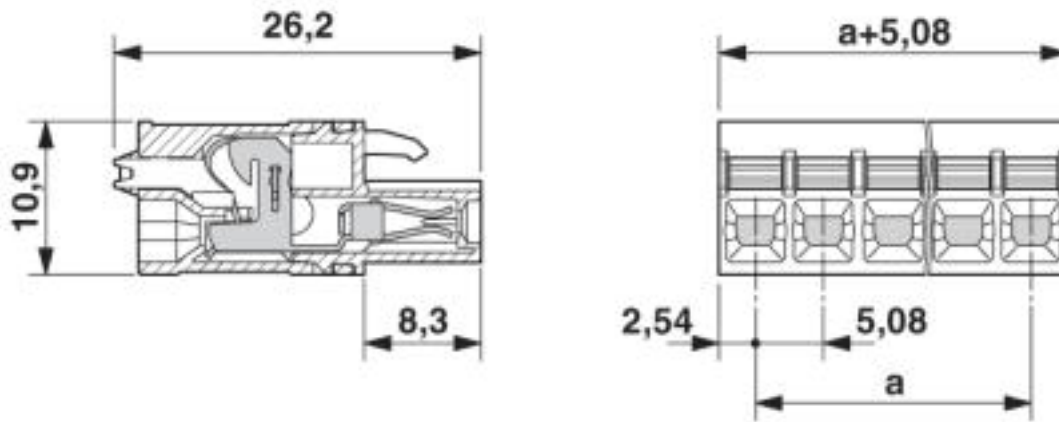
| |
|--|
| |
|--|

| |
|-------------------------|
| cULus Recognized |
|-------------------------|

Drawings

Printed-circuit board connector - FKCN 2,5/ 4-ST-5,08 - 1754584

Dimensioned drawing



© Phoenix Contact 2013 - all rights reserved
<http://www.phoenixcontact.com>