

# Universal current transducer - MCR-SL-CUC-200-U - 2308205

Please be informed that the data shown in this PDF Document is generated from our Online Catalog. Please find the complete data in the user's documentation. Our General Terms of Use for Downloads are valid (<http://download.phoenixcontact.com>)



Universal current transducer, for measuring DC, AC, and distorted currents, 0 ... 200 A input current, 0 ... 10 V output

The MCR-SL-CUC-100-I is illustrated

## Product Features

- Variable mounting on DIN rail and mounting plate
- Compact dimensions also enable distributed use
- Simple connection technology thanks to COMBICON plug-in connection terminal blocks
- 3-way isolation
- Universal current measurement, no shunt required

## Key commercial data

<b>package_quantity</b>	1
<b>GTIN</b>	4046356569743

## Technical data

### Dimensions

<b>Width</b>	90 mm
<b>Height</b>	33.8 mm
<b>Depth</b>	85 mm

### Ambient conditions

<b>Ambient temperature (operation)</b>	-40 °C ... 65 °C
<b>Ambient temperature (storage/transport)</b>	-40 °C ... 85 °C
<b>Degree of protection</b>	IP20

### Input data

<b>Input current range</b>	0 A ... 200 A
<b>Overload capacity</b>	3 x I <sub>IN</sub>
<b>Frequency measuring range</b>	20 Hz ... 6000 Hz (0 Hz)
<b>Connection method</b>	Cable design: 32 mm diameter

### Output data

<b>Output name</b>	Voltage output
<b>Voltage output signal</b>	0 V ... 10 V
<b>Load/output load voltage output</b>	≥ 10 kΩ

# Universal current transducer - MCR-SL-CUC-200-U - 2308205

## Technical data

### Switching output

<b>Output name</b>	No switching output
--------------------	---------------------

### Power supply

<b>Nominal supply voltage</b>	24 V DC
<b>Supply voltage range</b>	20 V DC ... 30 V DC
<b>Max. current consumption</b>	30 mA

### Connection data

<b>Conductor cross section solid min.</b>	0.25 mm <sup>2</sup>
<b>Conductor cross section solid max.</b>	2.5 mm <sup>2</sup>
<b>Conductor cross section stranded min.</b>	0.2 mm <sup>2</sup>
<b>Conductor cross section stranded max.</b>	2.5 mm <sup>2</sup>
<b>Conductor cross section AWG/kcmil min.</b>	24
<b>Conductor cross section AWG/kcmil max</b>	12
<b>Stripping length</b>	10 mm

### General

<b>Maximum transmission error</b>	<± 1 % (of final value)
<b>Temperature coefficient, typical</b>	0.02 %/K (0 ... 60°C)
<b>Temperature coefficient, typical</b>	0.04 %/K (-40 ... 65°C)
<b>Linearity error</b>	<± 1 % (From the range end value)
<b>Step response (10-90%)</b>	150 ms
<b>Surge voltage category</b>	III
<b>Pollution degree</b>	2
<b>Rated insulation voltage</b>	300 V AC
<b>Color</b>	green
<b>Housing material</b>	Frianyl B63 V0 GV30
<b>Conformance</b>	CE-compliant
<b>UL, USA / Canada</b>	UL/C-UL listed UL 508

## classifications

### eCl@ss

<b>eCl@ss 4.0</b>	27200303
<b>eCl@ss 4.1</b>	27200303
<b>eCl@ss 5.0</b>	27200303
<b>eCl@ss 5.1</b>	27210902
<b>eCl@ss 6.0</b>	27210902
<b>eCl@ss 7.0</b>	27210902
<b>eCl@ss 8.0</b>	27210902

### ETIM

<b>ETIM 3.0</b>	EC002475
<b>ETIM 4.0</b>	EC002048

# Universal current transducer - MCR-SL-CUC-200-U - 2308205

## classifications

### ETIM

<b>ETIM 5.0</b>	EC002475
-----------------	----------

### UNSPSC

<b>UNSPSC 6.01</b>	30211506
<b>UNSPSC 7.0901</b>	39121008
<b>UNSPSC 11</b>	39121008
<b>UNSPSC 12.01</b>	39121008
<b>UNSPSC 13.2</b>	39121008

## approvals

UL Listed / cUL Listed / cULus Listed /

### Approval details

UL Listed

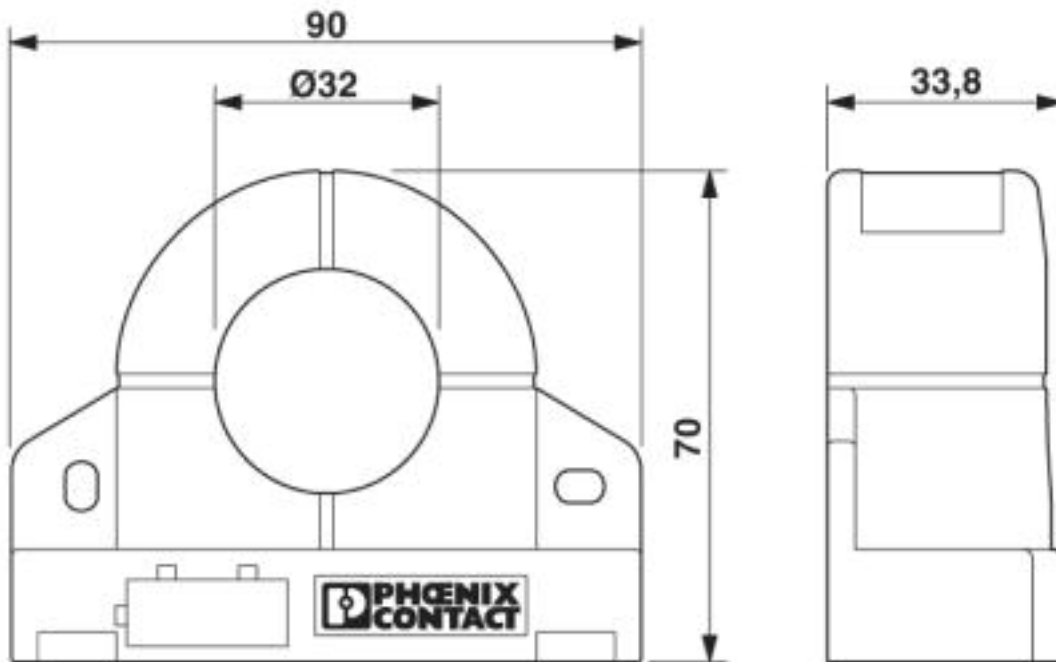
cUL Listed

cULus Listed

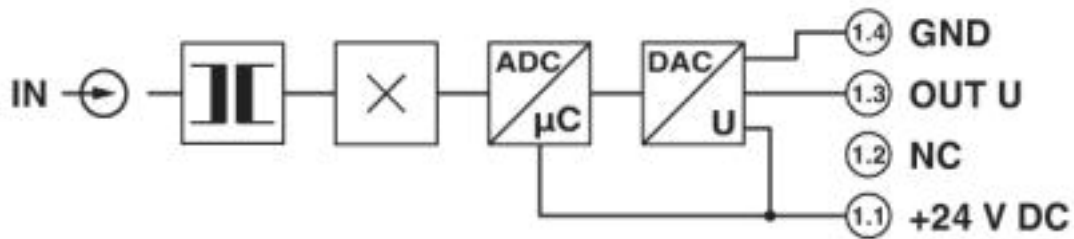
## Drawings

# Universal current transducer - MCR-SL-CUC-200-U - 2308205

Dimensioned drawing

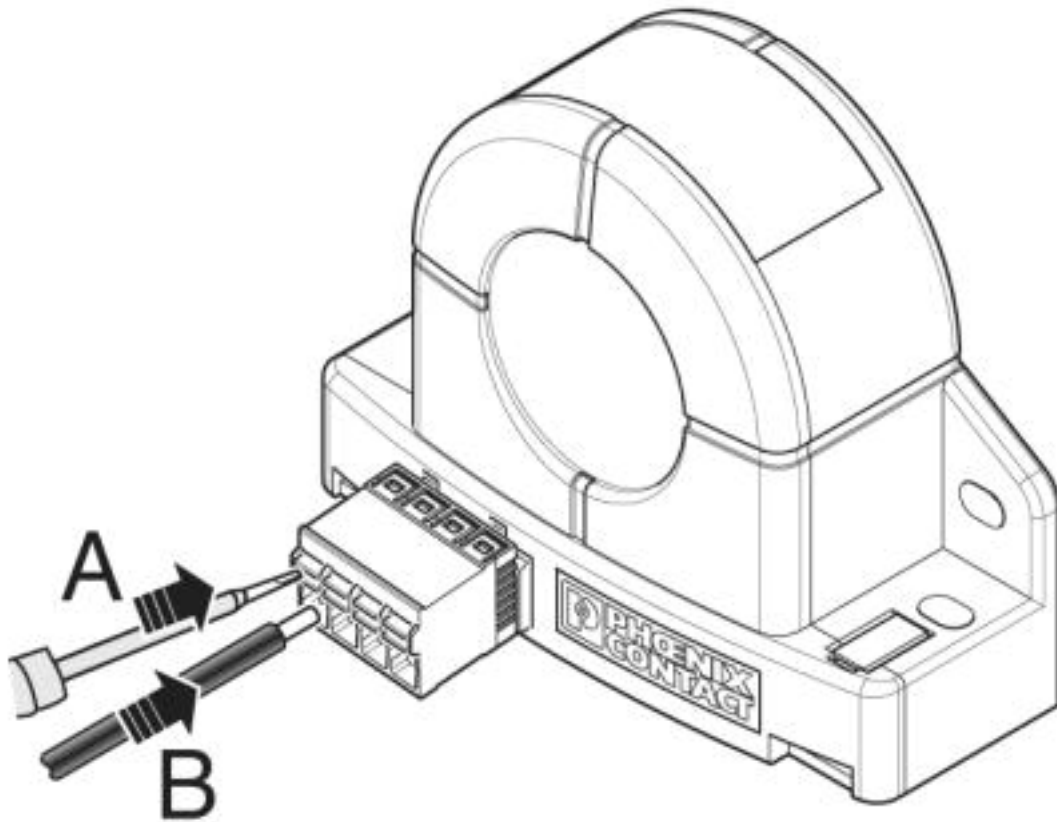


Circuit diagram



## Universal current transducer - MCR-SL-CUC-200-U - 2308205

Schematic diagram



© Phoenix Contact 2013 - all rights reserved  
<http://www.phoenixcontact.com>