

Universal current transducer - MCR-SL-CUC-400-I - 2308072

Please be informed that the data shown in this PDF Document is generated from our Online Catalog. Please find the complete data in the user's documentation. Our General Terms of Use for Downloads are valid (<http://download.phoenixcontact.com>)



Universal current transducer, for measuring DC, AC, and distorted currents, 0 ... 400 A input current, 4 ... 20 mA output

The MCR-SL-CUC-100-I is illustrated

Product Features

- ✔ Variable mounting on DIN rail and mounting plate
- ✔ Simple connection technology thanks to COMBICON plug-in connection terminal blocks
- ✔ Compact dimensions also enable distributed use
- ✔ Universal current measurement, no shunt required
- ✔ 3-way isolation

Key commercial data

package_quantity	1
GTIN	4046356566568

Technical data

Dimensions

Width	90 mm
Height	33.8 mm
Depth	85 mm

Ambient conditions

Ambient temperature (operation)	-40 °C ... 65 °C
Ambient temperature (storage/transport)	-40 °C ... 85 °C
Degree of protection	IP20

Input data

Input current range	0 A ... 400 A
Overload capacity	2.5 x I _N
Frequency measuring range	20 Hz ... 6000 Hz (0 Hz)
Connection method	Cable design: 32 mm diameter

Output data

Output name	Current output
Current output signal	4 mA ... 20 mA
Max. output current	< 25 mA

Universal current transducer - MCR-SL-CUC-400-I - 2308072

Technical data

Output data

Load/output load current output	< 300 Ω
---------------------------------	---------

Switching output

Output name	No switching output
-------------	---------------------

Power supply

Nominal supply voltage	24 V DC
Supply voltage range	20 V DC ... 30 V DC
Max. current consumption	((30 + I _{OUT}) mA)
Power consumption	1.65 W

Connection data

Conductor cross section solid min.	0.25 mm ²
Conductor cross section solid max.	2.5 mm ²
Conductor cross section stranded min.	0.2 mm ²
Conductor cross section stranded max.	2.5 mm ²
Conductor cross section AWG/kcmil min.	24
Conductor cross section AWG/kcmil max	12
Stripping length	10 mm

General

Maximum transmission error	<± 1 % (of final value)
Temperature coefficient, typical	0.02 %/K (0 ... 60°C)
Temperature coefficient, typical	0.04 %/K (-40 ... 65°C)
Linearity error	<± 1 % (From the range end value)
Step response (10-90%)	150 ms
Surge voltage category	III
Pollution degree	2
Rated insulation voltage	300 V AC
Test voltage input/output	3.5 kV (50 Hz, 1 min.)
Test voltage input/power supply	3.5 kV (50 Hz, 1 min.)
Noise emission	EN 61000-6-4
Noise immunity	EN 61000-6-2
Color	green
Housing material	Franyl B63 V0 GV30
Conformance	CE-compliant
UL, USA / Canada	UL/C-UL listed UL 508

classifications

eCl@ss

eCl@ss 4.0	27200303
eCl@ss 4.1	27200303
eCl@ss 5.0	27200303

Universal current transducer - MCR-SL-CUC-400-I - 2308072

classifications

eCl@ss

eCl@ss 5.1	27210902
eCl@ss 6.0	27210902
eCl@ss 7.0	27210902
eCl@ss 8.0	27210902

ETIM

ETIM 3.0	EC002475
ETIM 4.0	EC002048
ETIM 5.0	EC002475

UNSPSC

UNSPSC 6.01	30211506
UNSPSC 7.0901	39121008
UNSPSC 11	39121008
UNSPSC 12.01	39121008
UNSPSC 13.2	39121008

approvals

UL Listed / cUL Listed / cULus Listed /

Approval details

UL Listed

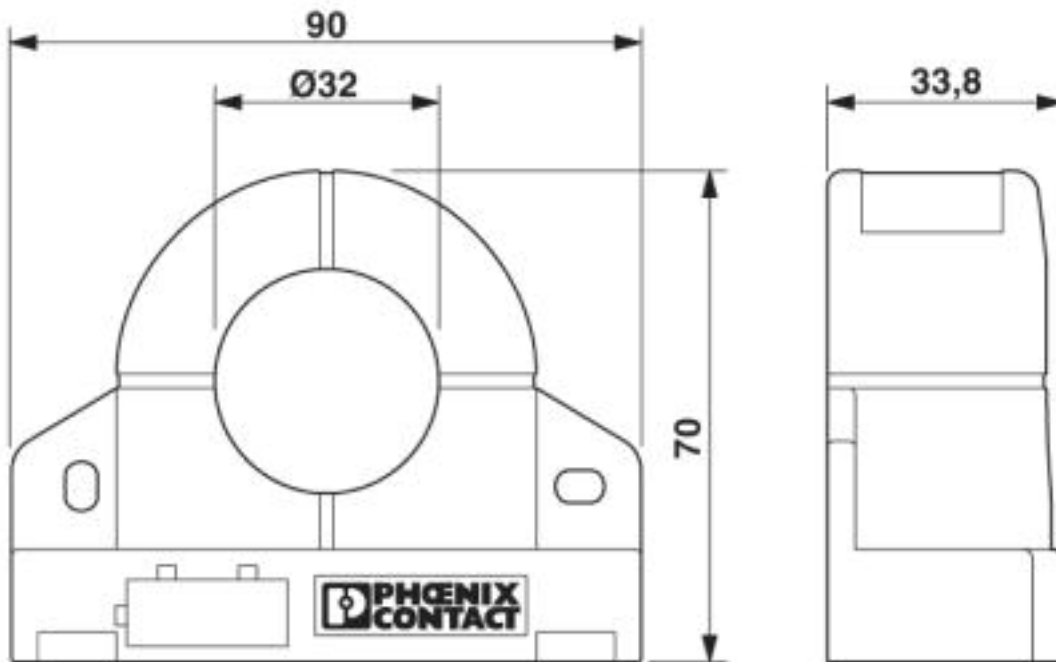
cUL Listed

cULus Listed

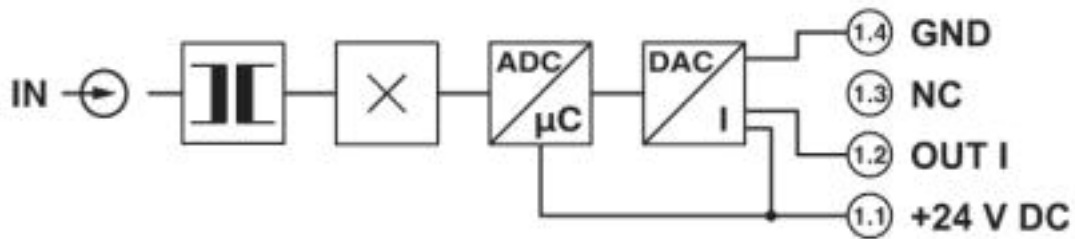
Drawings

Universal current transducer - MCR-SL-CUC-400-I - 2308072

Dimensioned drawing

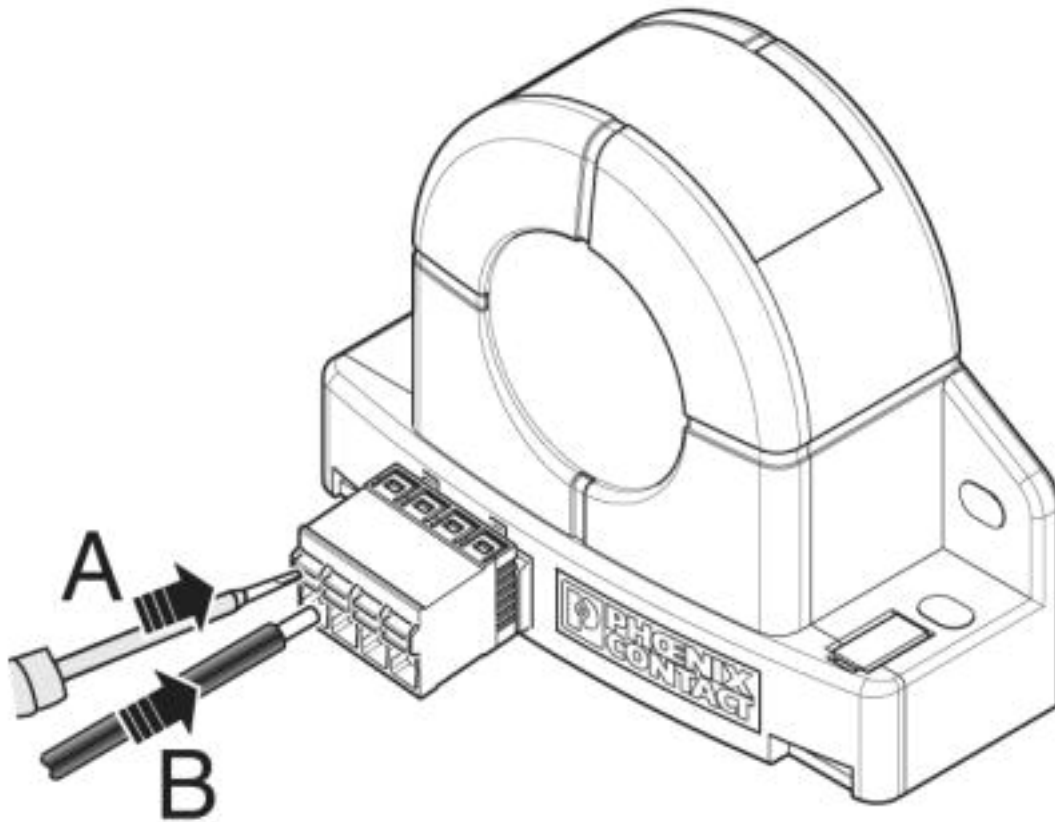


Circuit diagram



Universal current transducer - MCR-SL-CUC-400-I - 2308072

Schematic diagram



© Phoenix Contact 2013 - all rights reserved
<http://www.phoenixcontact.com>