

Repeater power supply - MACX MCR-SL-RPSSI-I-UP - 2865968

Please be informed that the data shown in this PDF Document is generated from our Online Catalog. Please find the complete data in the user's documentation. Our General Terms of Use for Downloads are valid (<http://download.phoenixcontact.com>)



Repeater power supply for supplying 2 and 3-conductor transmitters with HART transmission and wide range power supply, SIL, screw connection

Product Features

- 250 Ω resistor that can be activated via DIP switches to increase HART impedance for low-resistance systems
- Up to SIL 2 according to EN 61508
- Installation in zone 2, protection type "n" (EN 60079-15) permitted
- 0/4 ... 20 mA output (active or passive), 0/1 ... 5 V, can be selected via DIP switches
- Wide-range power supply of 19.2 ... 253 V AC/DC
- 3-way electrical isolation
- Plug-in screw or spring-cage connection technology (Push-in technology), with integrated sockets for HART communicators
- Bidirectional transmission of digital HART communication signals
- 0/4 ... 20 mA input (powered or not powered)



Key commercial data

package_quantity	1
GTIN	4046356448321

Technical data

Note:

Utilization restriction	EMC: class A product, see manufacturer's declaration in the download area
-------------------------	---

Dimensions

Width	17.5 mm
Height	99 mm
Depth	114.5 mm

Ambient conditions

Ambient temperature (operation)	-20 °C ... 60 °C (Any mounting position)
Ambient temperature (storage/transport)	-40 °C ... 80 °C
Maximum altitude	≤ 2000 m
Permissible humidity (operation)	10 % ... 95 % (no condensation)

Repeater power supply - MACX MCR-SL-RPSSI-I-UP - 2865968

Technical data

Ambient conditions

Degree of protection	IP20
----------------------	------

Input data

Current input signal	0 mA ... 20 mA
Current input signal	4 mA ... 20 mA
Transmitter supply voltage	> 16 V (at 20 mA)
Voltage drop	< 3.5 V (in input isolating amplifier operation)

Output data

Signal output	Current output
Voltage output signal	0 V ... 5 V (internal resistance, 250 Ω, 0.1%)
Current output signal	0 mA ... 20 mA (active)
Current output signal	4 mA ... 20 mA (active)
Current output signal	0 mA ... 20 mA (14 ... 26 V ext. source voltage)
Current output signal	4 mA ... 20 mA (14 ... 26 V ext. source voltage)
Transmission Behavior	1:1 to input signal
Load/output load current output	< 600 Ω (I output)
Output ripple	< 20 mV _{rms}

Power supply

Supply voltage range	24 V ... 230 V AC/DC (-20%/+10%, 50/60 Hz)
Max. current consumption	< 75 mA (at 24 V DC)
Power consumption	< 1.8 W

Connection data

Conductor cross section solid min.	0.2 mm ²
Conductor cross section solid max.	2.5 mm ²
Conductor cross section stranded min.	0.2 mm ²
Conductor cross section stranded max.	2.5 mm ²
Conductor cross section AWG/kcmil min.	24
Conductor cross section AWG/kcmil max	14
Stripping length	7 mm
Screw thread	M3
Connection method	Screw connection
Tightening torque, min	0.5 Nm
Tightening torque max	0.6 Nm

General

No. of channels	1
Maximum transmission error	< 0.1 % (of final value)
Transmission error, typical	< 0.05 % (of final value)
Maximum temperature coefficient	< 0.01 %/K
Step response (10-90%)	< 600 μs (for 4 mA ... 20 mA step)
Status display	Green LED (supply voltage)

Repeater power supply - MACX MCR-SL-RPSSI-I-UP - 2865968

Technical data

General

Inflammability class according to UL 94	V0
Pollution degree	2
Surge voltage category	II
Housing material	PA 66-FR
Color	green
Name	Input/output/power supply
Electrical isolation	300 V _{rms} (Rated insulation voltage (surge voltage category II; pollution degree 2, safe isolation as per EN 61010-1))
Electrical isolation	2.5 kV (50 Hz, 1 min., test voltage)
Conformance	CE-compliant, additionally EN 61326
ATEX	# II 3 G Ex nA IIC T4 Gc X
UL, USA / Canada	UL applied for
Functional safety (SIL)	SIL 2 according to EN 61508

Data communication (bypass)

HART function	Yes
Protocols supported	HART

classifications

eCl@ss

eCl@ss 4.0	27210120
eCl@ss 4.1	27210120
eCl@ss 5.0	27210120
eCl@ss 5.1	27210120
eCl@ss 6.0	27210120
eCl@ss 7.0	27210120
eCl@ss 8.0	27210120

ETIM

ETIM 2.0	EC001485
ETIM 3.0	EC001485
ETIM 4.0	EC001485
ETIM 5.0	EC002653

UNSPSC

UNSPSC 6.01	30211506
UNSPSC 7.0901	39121008
UNSPSC 11	39121008
UNSPSC 12.01	39121008
UNSPSC 13.2	39121008

Repeater power supply - MACX MCR-SL-RPSSI-I-UP - 2865968

approvals

ATEX / Functional Safety /

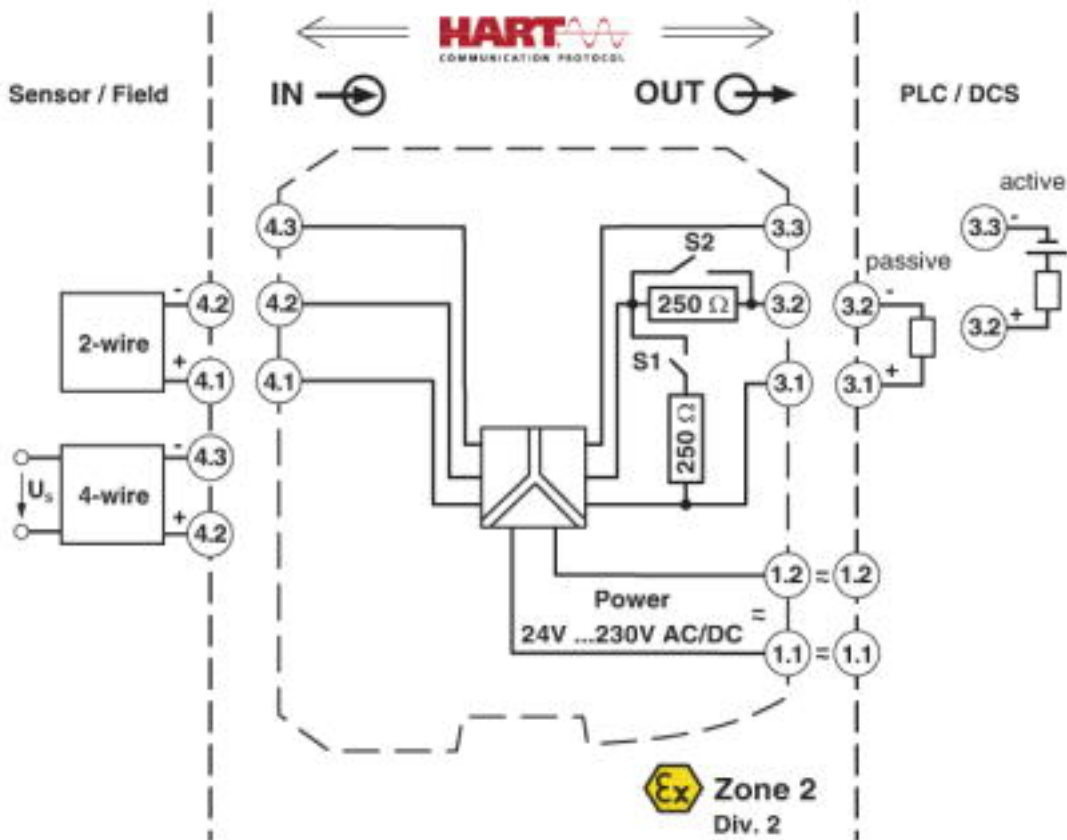
Approval details



Functional Safety

Drawings

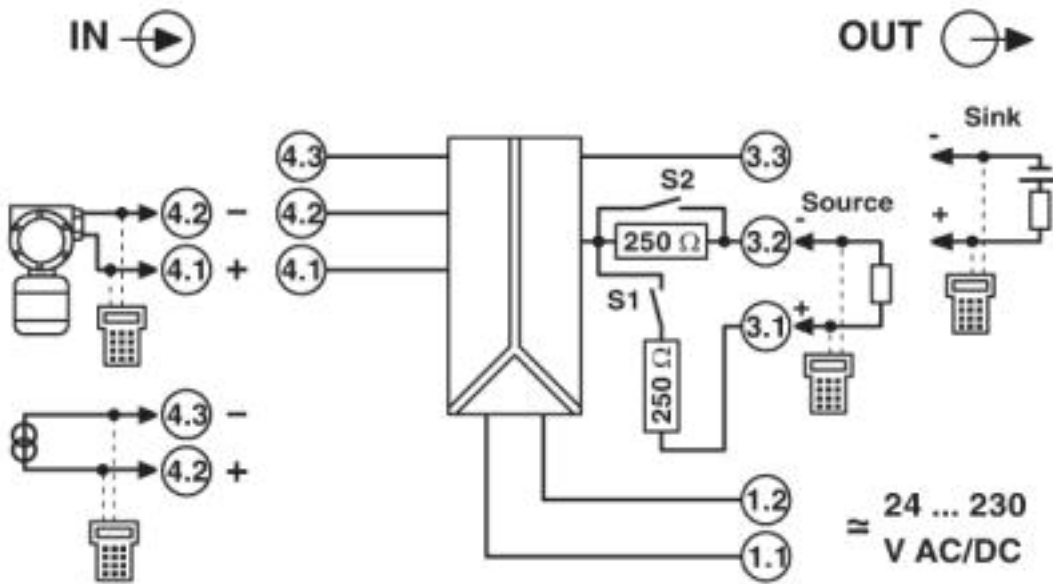
Block diagram



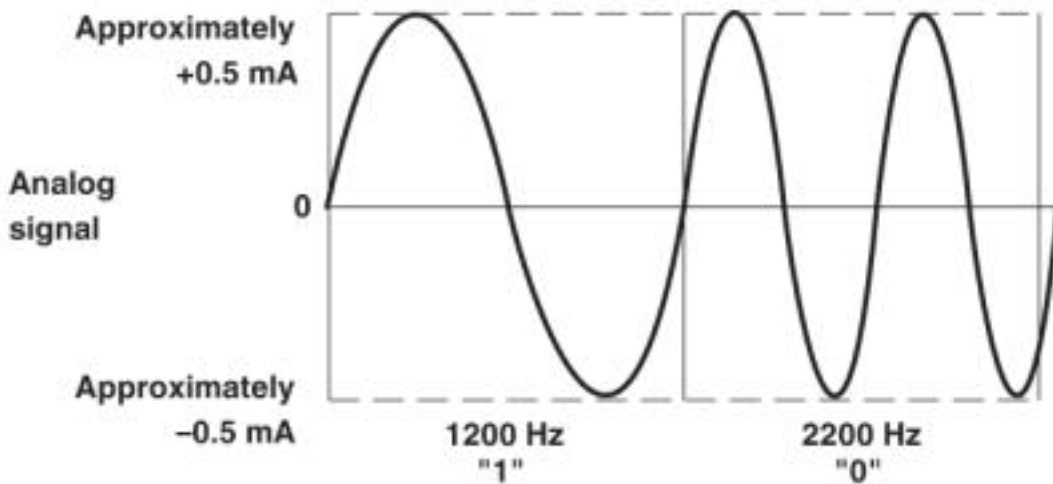
Connection example

Repeater power supply - MACX MCR-SL-RPSSI-I-UP - 2865968

Block diagram



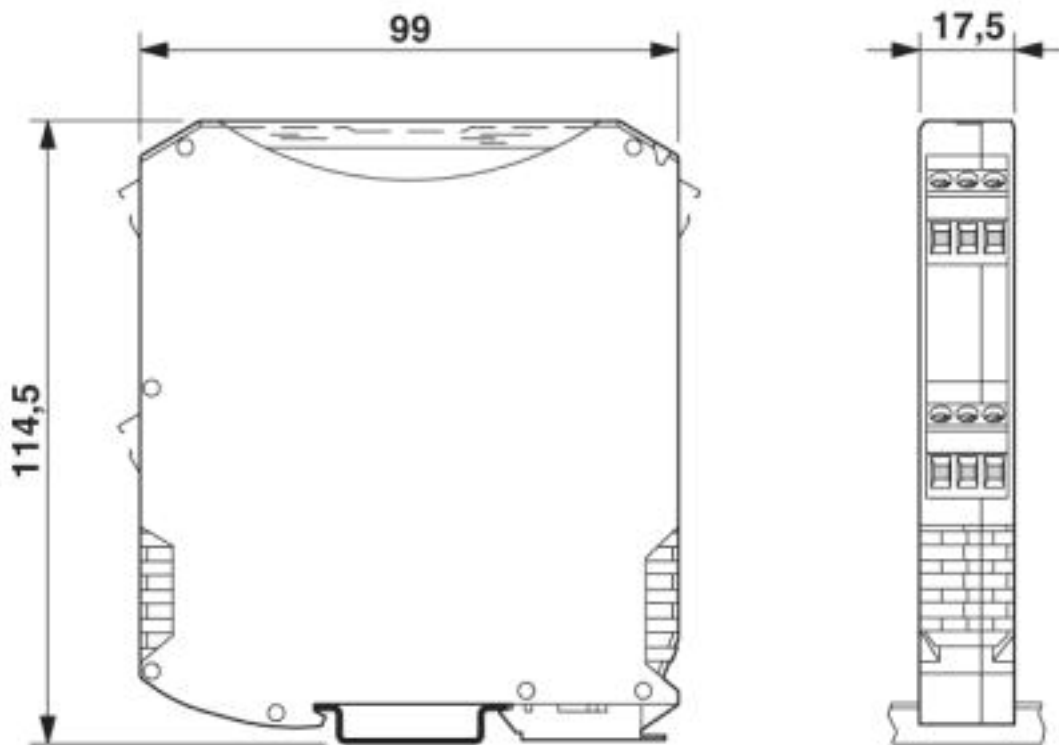
Diagram



Signal transmission analog and digital at the same time

Repeater power supply - MACX MCR-SL-RPSSI-I-UP - 2865968

Dimensioned drawing



© Phoenix Contact 2013 - all rights reserved
<http://www.phoenixcontact.com>