



- CE Certified
- ISO 8846 MARINE (Ignition Protection)

## BILGE BLOWER

TMC-0370201 · TMC-0370203 · TMC-0370105

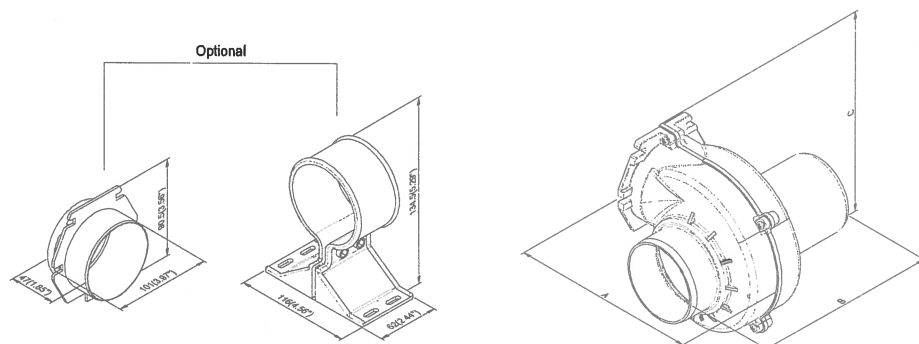
### PRODUCT FEATURE

- High Capacity – More CFM for the size.
- Flange mounted bilge blower to suit 3”(76mm) ID ventilation hose.
- Optional mounting collar and mounting clamp.
- Use to remove dangerous fumes from bilge, stale air and odors.
- Spark proof.

### SPECIFICATION

MODEL NO.	CONSUMPTION		FUSE	AIR VELOCITY	AIR DISPLACEMENT	
	V	A	A	m/min	CMM	CFM
TMC-0370201	12	3	4	590	2.53	90
	24	1.5	2			
TMC-0370203	12	5	8	850	3.67	130
	24	2.5	4			
TMC-0370105	12	3	4	590	2.53	90
	24	1.5	2			

### DIMENSIONS



MODEL NO.	A		B		C	
	inch	mm	inch	mm	inch	mm
TMC-0370201	5.63	143	7.41	188	6.29	160
TMC-0370203	5.63	143	7.41	188	6.29	160
TMC-0370105	5.63	143	7.41	188	6.29	160

### MOUNTING

- The TMC Flange Mount Bilge Blower is designed to remove flammable fuel vapors from below deck.
- The blower must be used with a natural ventilation system that is open to the atmosphere.
- Mount the blower in the upper portion of the engine compartment with two no. 10 screws (be sure to determine the correct direction of airflow before mounting).
- The bilge blower may be mounted on an angle to assure drainage from rainwater.
- Connect the inlet and exhaust duct with stainless steel hose clamp.
- The duct inlet opening should be permanently fixed and located above the normal bilge level and as practicable beneath the engine which it serves.

### ELECTRICAL

- Connect the positive (+) red wire and negative (-) black wire crimp type connectors.
- Waterproof the connectors with sealant.
- The bilge blower must be protected with the indicated fuse size to be installed in the positive (+) line.
- An on-off switch with proper amp rating should be installed in the positive line.
- Minimum lead wire size should be 16 AWG (gauge).

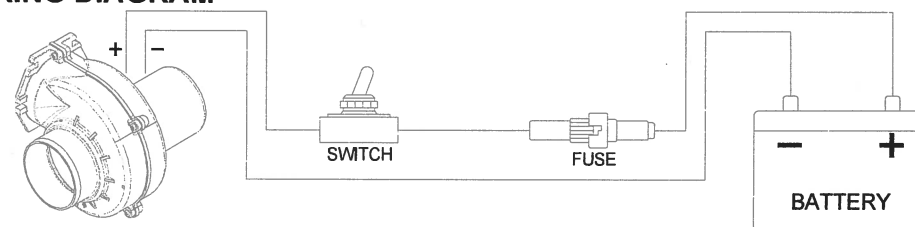
### CAUTION

- To prevent personal injury, always disconnect electrical connection when installing or servicing this product.
- Gasoline vapors can explode. Do not operate blower while refueling.

### Before Starting Engine

- Check engine compartment for gasoline or vapors.
- Operate blower at least five minutes.

### WIRING DIAGRAM





# ***BILGE BLOWER***

- *Flange mounted bilge blower to suit 3" (76mm) ID ventilation hose.*
- *Use to remove dangerous fumes from bilge, stale air and odors.*
- *Spark proof.*



CE certified ISO-9001 certified ISO-14001 certified

## Various mounting positions

