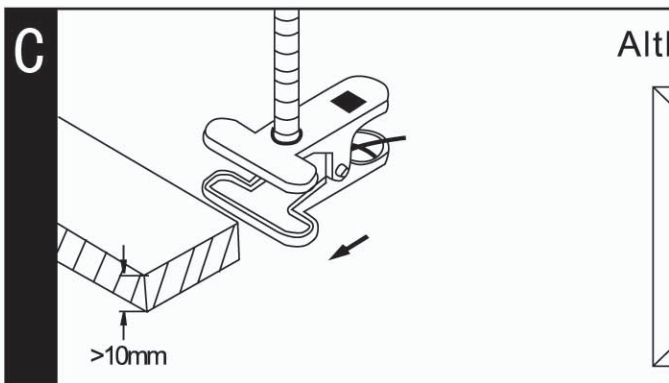
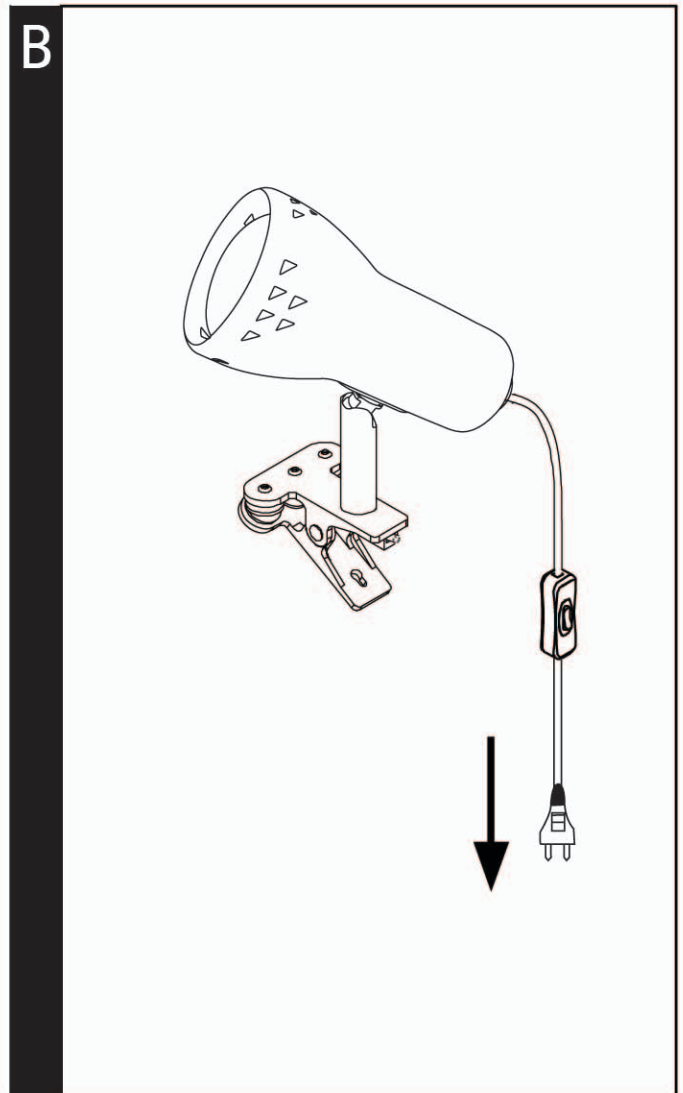
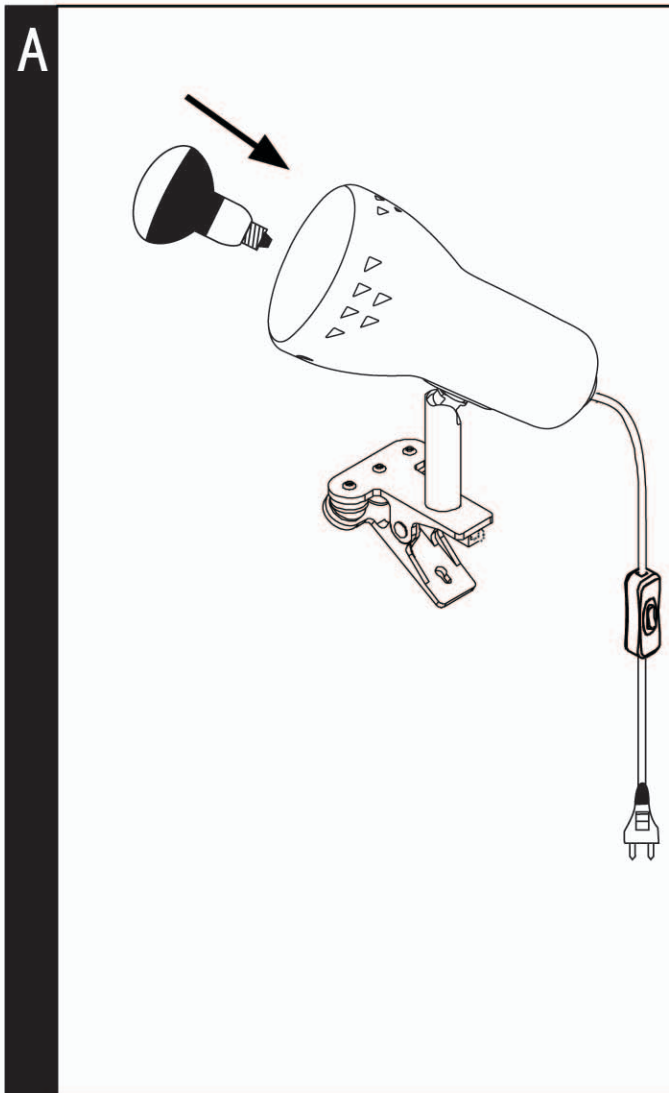
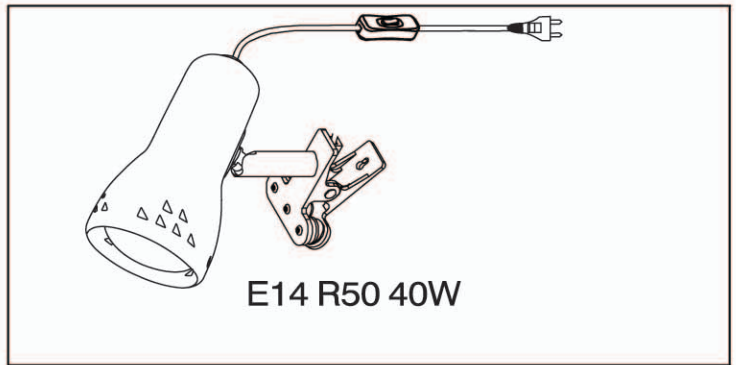


99825  
(+MA 173)

# Paulmann

 **Safety Instructions**  
 6, 7, 8, 9, 11, 15, 18, 20, 22

  **Paulmann Licht GmbH**  
Quezinger Feld 2  
D-31832 Springe  
[www.Paulmann.com](http://www.Paulmann.com)  
 +49 (0) 5041 998 389  
Mo.-Do. ⌚ 7<sup>00</sup> - 20<sup>00</sup> ⌚  
Fr. ⌚ 7<sup>00</sup> - 17<sup>00</sup> ⌚



Although following signs must be used!

