

# Contact carriers - SACC-MCI-M12MSB-5CON - 1440915

Please be informed that the data shown in this PDF Document is generated from our Online Catalog. Please find the complete data in the user's documentation. Our General Terms of Use for Downloads are valid (<http://download.phoenixcontact.com>)



5-pos. contact carrier, with splice ring, B-coded

The illustration shows the 5-position version of the product



## Key commercial data

package_quantity	10
GTIN	4046356533744

## Technical data

### Ambient conditions

Ambient temperature (operation)	-25 °C ... 85 °C (Plug / socket)
Degree of protection	IP67

### General

Rated current at 40°C	4 A
Rated voltage	60 V
Number of positions	5
Contact resistance	≤ 3 mΩ
Insulation resistance	≥ 100 MΩ
Coding	B - inverse
Standards/regulations	M12 connector IEC 61076-2-101
Status display	No
Surge voltage category	II
Pollution degree	3
Connection method	Crimp contacts
Mounting type	Front mounting Square flange 25 mm side length

### Material

Inflammability class according to UL 94	V0
Contact carrier material	PA 66

### Cable

Conductor cross section	0.34 mm <sup>2</sup>
-------------------------	----------------------

## Contact carriers - SACC-MCI-M12MSB-5CON - 1440915

### Technical data

#### classifications

##### eCl@ss

eCl@ss 4.0	27250313
eCl@ss 4.1	27250313
eCl@ss 5.0	27143423
eCl@ss 5.1	27143423
eCl@ss 6.0	27143423
eCl@ss 7.0	27449001
eCl@ss 8.0	27449001

##### ETIM

ETIM 4.0	EC002061
ETIM 5.0	EC002061

##### UNSPSC

UNSPSC 6.01	31251501
UNSPSC 7.0901	31251501
UNSPSC 11	31251501
UNSPSC 12.01	31251501
UNSPSC 13.2	31251501

#### approvals

---

GOST / GOST /

---

#### Approval details



#### accessories

##### Crimp contact

# Contact carriers - SACC-MCI-M12MSB-5CON - 1440915

accessories

CC-1,0-ST-0,34-MS AU - 1452356



---

## Panel mounting base

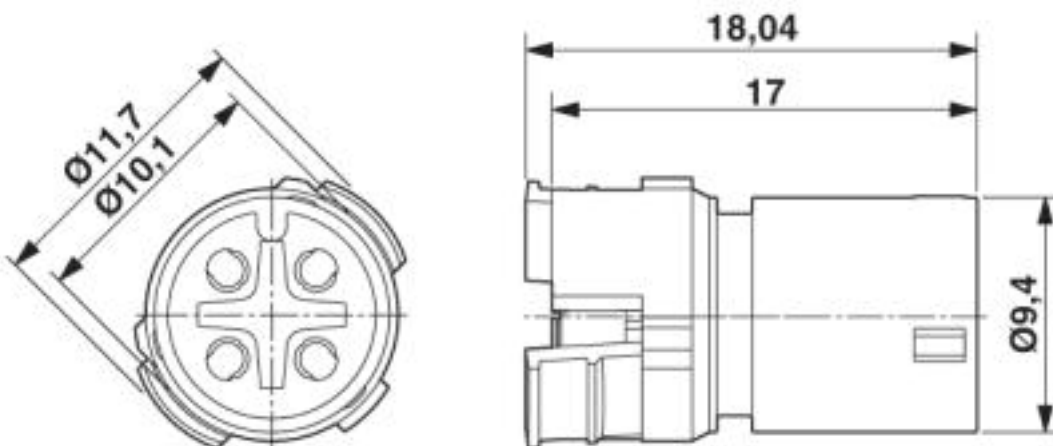
SACC-MSQ-M12MS-25-3,2 SCO - 1419959



---

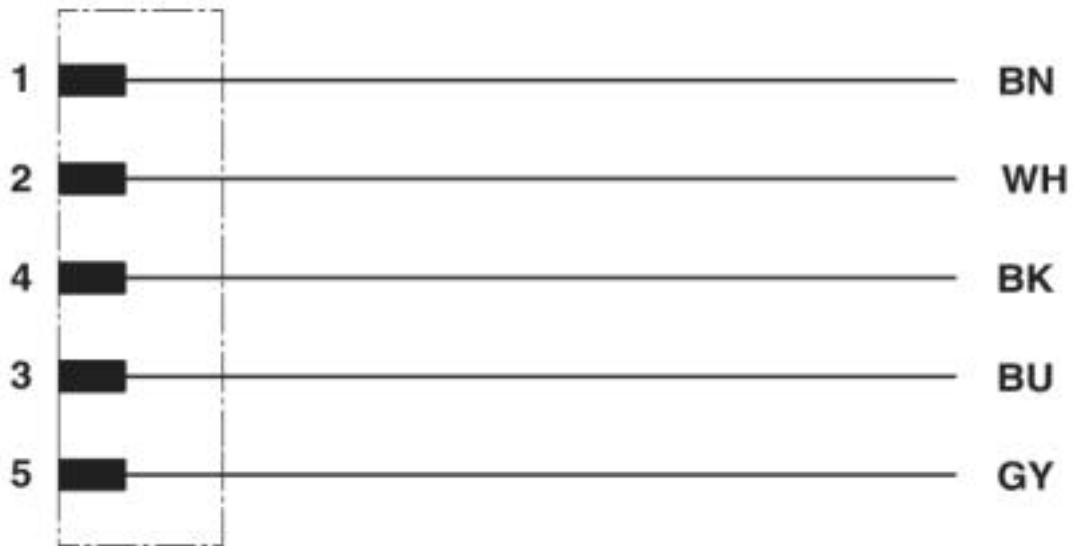
## Drawings

Dimensioned drawing



## Contact carriers - SACC-MCI-M12MSB-5CON - 1440915

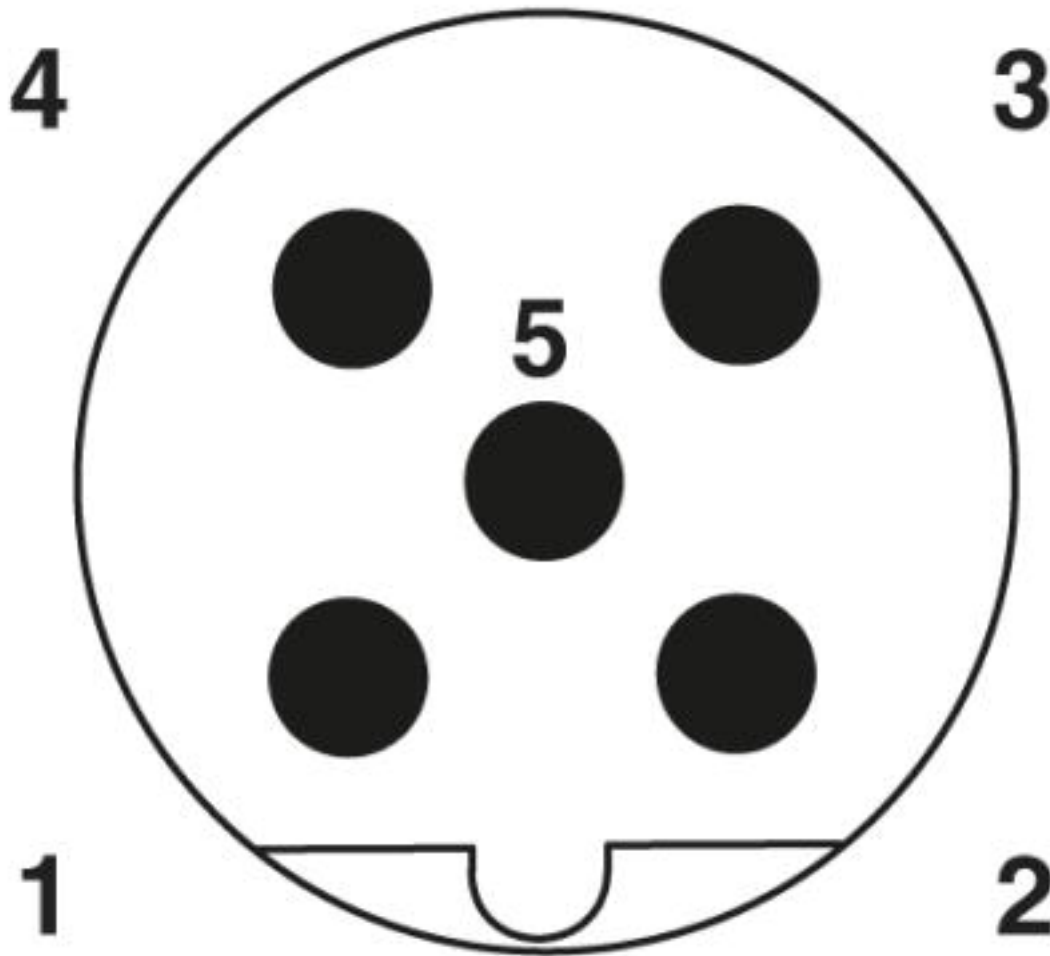
Circuit diagram



Contact assignment of the M12 plug

## Contact carriers - SACC-MCI-M12MSB-5CON - 1440915

Schematic diagram



Pin assignment M12 male connector, 5-pos., B-coded, male side

© Phoenix Contact 2013 - all rights reserved  
<http://www.phoenixcontact.com>