

- Prevent the ingress of dirt with minimal flow restriction
- Robust and compact
- Screw directly into the exhaust port

**Technical Data**

Medium:

Compressed air, filtered, lubricated or non-lubricated,
vacuum, inert gases

Operation:

Exhaust filter

Mounting:

Directly in the exhaust port

Port Sizes:

G ¹ / ₈	M/1511
G ¹ / ₄	M/1512
G ¹ / ₂	M/1514
G ³ / ₄	M/1516
G1	M/1518

Operating Pressure:

10 bar maximum

Operating Temperature:

–20°C* to +80°C

*Consult our Technical Service for use below +2°C

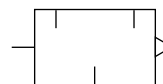
Materials

Aluminium alloy body, sintered bronze element

Ordering Information

To order, quote appropriate product number
from the tables on the following pages.

e.g. M/1512 for the G¹/₄A model





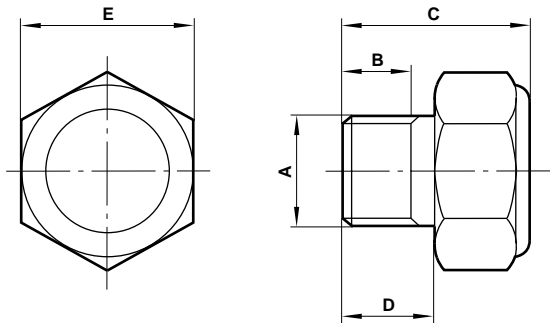
General Information

Model	Port connection	CV**	C*	Weight (Kg)	Spares Kit
M/1511	G ¹ / ₈ "	0,45	1,84	0,006	Not available
M/1512	G ¹ / ₄ "	1,1	4,5	0,018	Not available
M/1514	G ¹ / ₂ "	1,5	7,8	0,030	Not available
M/1516	G ³ / ₄ "	3,9	16,0	0,050	Not available
M/1518	G1	5,5	22,5	0,091	Not available

*C measured in dm³/(s.bar)

**CV measured in US gall/min

Exhaust Filters



Model	M/1511	M/1512	M/1514	M/1516	M/1518
A	G ¹ / ₈	G ¹ / ₄	G ¹ / ₂	G ³ / ₄	G1
B	6,0	8,0	10,5	14,0	15,0
C	16,0	22,0	25,0	31,0	35,0
D	8,0	10,0	13,0	16,0	19,0
E A/F	15,0	23,5	30,5	42,5	47,0

Warning

These products are intended for use in industrial compressed air systems only. Do not use these products where pressures and temperatures can exceed those listed under 'Technical Data'.

Before using these products with fluids other than those specified, for non-industrial applications, life-support systems, or other applications not within published specifications, consult Norgren.

Through misuse, age, or malfunction, components used in fluid power systems can fail in various modes. The system designer is warned to consider the failure modes of all component parts used in fluid power systems and to provide adequate safeguards to prevent personal injury or damage to equipment in the event of such failure.

System designers must provide a warning to end users in the system instructional manual if protection against a failure mode cannot be adequately provided.

System designers and end users are cautioned to review specific warnings found in instruction sheets packed and shipped with these products where applicable.