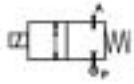


2/2 WAY DIRECT ACTING SOLENOID VALVE, G 1/4" ÷ G 1/2"



normally closed

TYPE: D237/238/239

TECHNICAL SPECIFICATIONS

Media:	water, oil, air
Media temperature:	-10°C ÷ +130°C
Ambient temperature:	-10°C ÷ +50°C
Body material:	brass (CW617N EN 12165)
Pilot material:	stainless steel
Seal material:	FKM
Coil power:	AC 18VA (holding) AC 36VA (inrush) DC 14W
Protection class:	IP 65 (with connector)

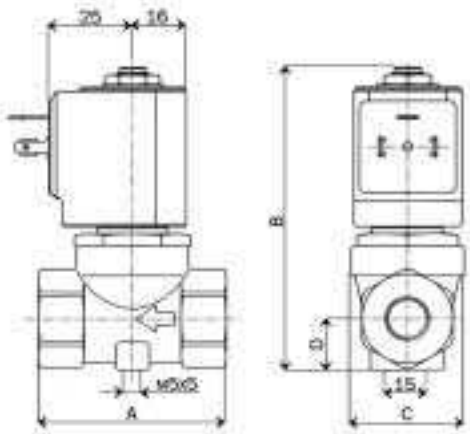


OPTIONS

- EPDM seal for air and hot water MAX 120°C (Ex. code D239DEU)
- NBR seal for air, water, oil MAX 90°C (Ex. code D237DBU)

SELECTION TABLE

VALVE	G connection	Nominal Diameter	Flow rate kvs	OPD			COILS	
				min	max		Code	[Volts/Hz]
Code	[ISO 228]	[mm]	[l/min]	[bar]	AC [bar]	DC [bar]	Code	[Volts/Hz]
D237DVU	1/4"	10.5	21	0	0.4	0.2	7250	24V DC
D238DVL	3/8"	4.0	6.0	0	8	5	7200	24V 50/60Hz
D238DVN	3/8"	5.0	7.5	0	5	2	7400	110V 50Hz - 120V 60Hz
D238DVP	3/8"	6.0	8.5	0	3.5	1.1	7600	200V 50Hz - 220V 60Hz
D238DVU	3/8"	10.5	24	0	0.4	0.2	7700	230V 50Hz - 240V 60Hz
D239DVU	1/2"	10.5	25	0	0.4	0.2		



DIMENSIONS & WEIGHTS

G connection	A	B	C	D	weight
[ISO 228]	[mm]	[mm]	[mm]	[mm]	[Kg]
1/4"	54	89	39	15.5	0.4
3/8"	54	89	39	15.5	0.4
1/2"	54	89	39	15.5	0.4