

# Connector - SACC-M12FS-12SOL-PG 9-M - 1404420

Please be informed that the data shown in this PDF Document is generated from our Online Catalog. Please find the complete data in the user's documentation. Our General Terms of Use for Downloads are valid (<http://download.phoenixcontact.com>)



Connector, Universal, 12-position, Socket straight M12, A-coded, Solder connection, Knurl material: Zinc die-cast, nickel-plated, Cable gland Pg9, External cable diameter 6 mm ... 8 mm

## Product Features

- Safe use in the field, thanks to a high degree of protection
- Flexible: connectors for on-site assembly
- Save space – with high-pos. connectors

## Key commercial data

<b>package_quantity</b>	1
<b>GTIN</b>	4046356694520

## Technical data

### Dimensions

<b>External diameter</b>	6 mm ... 8 mm
--------------------------	---------------

### Ambient conditions

<b>Ambient temperature (operation)</b>	-40 °C ... 85 °C (Plug / socket)
<b>Degree of protection</b>	IP67

### General

<b>Rated current at 40°C</b>	1 A
<b>Rated voltage</b>	30 V
<b>Number of positions</b>	12
<b>Contact resistance</b>	≤ 3 mΩ
<b>Insulation resistance</b>	> 10 GΩ
<b>Coding</b>	A - standard
<b>Standards/regulations</b>	M12 connector IEC 61076-2-101
<b>Signal type/category</b>	Universal
<b>Status display</b>	No
<b>Surge voltage category</b>	II
<b>Pollution degree</b>	3
<b>Connection method</b>	Solder connection
<b>Conductor cross section</b>	0.08 mm <sup>2</sup> ... 0.25 mm <sup>2</sup>
<b>AWG conductor cross section</b>	30 ... 24
<b>Insertion/withdrawal cycles</b>	≥ 100

# Connector - SACC-M12FS-12SOL-PG 9-M - 1404420

## Technical data

### General

<b>Torque</b>	0.4 Nm (M12 knurl)
---------------	--------------------

### Material

<b>Contact material</b>	CuSn
<b>Contact surface material</b>	Au
<b>Contact carrier material</b>	PA
<b>Material of grip body</b>	PA
<b>Material, knurls</b>	Zinc die-cast, nickel-plated

## classifications

### eCl@ss

<b>eCl@ss 4.0</b>	27140815
<b>eCl@ss 4.1</b>	27140815
<b>eCl@ss 5.0</b>	27143423
<b>eCl@ss 5.1</b>	27143423
<b>eCl@ss 6.0</b>	27279221
<b>eCl@ss 7.0</b>	27440104
<b>eCl@ss 8.0</b>	27440104

### ETIM

<b>ETIM 3.0</b>	EC002062
<b>ETIM 4.0</b>	EC002062
<b>ETIM 5.0</b>	EC002062

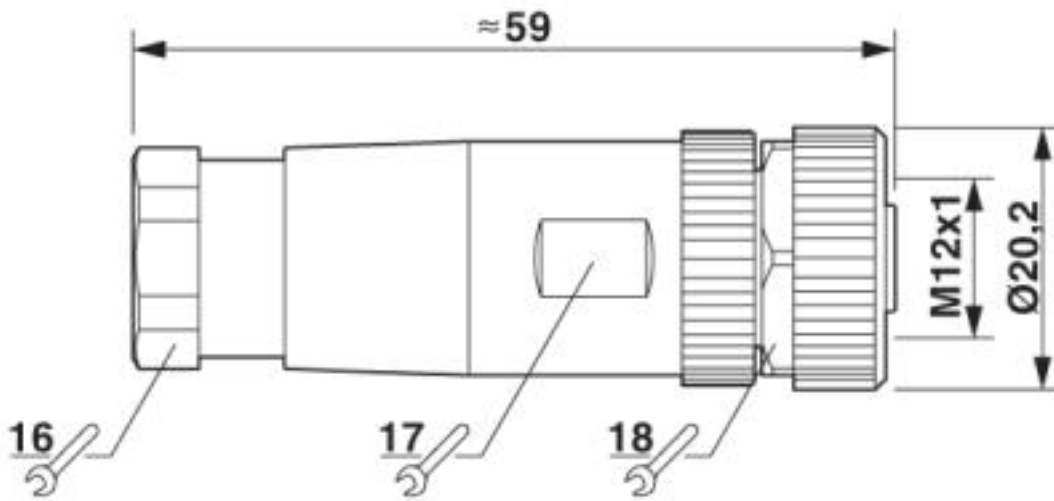
### UNSPSC

<b>UNSPSC 6.01</b>	30211824
<b>UNSPSC 7.0901</b>	39121413
<b>UNSPSC 11</b>	39121413
<b>UNSPSC 12.01</b>	39121413
<b>UNSPSC 13.2</b>	39121413

## Drawings

# Connector - SACC-M12FS-12SOL-PG 9-M - 1404420

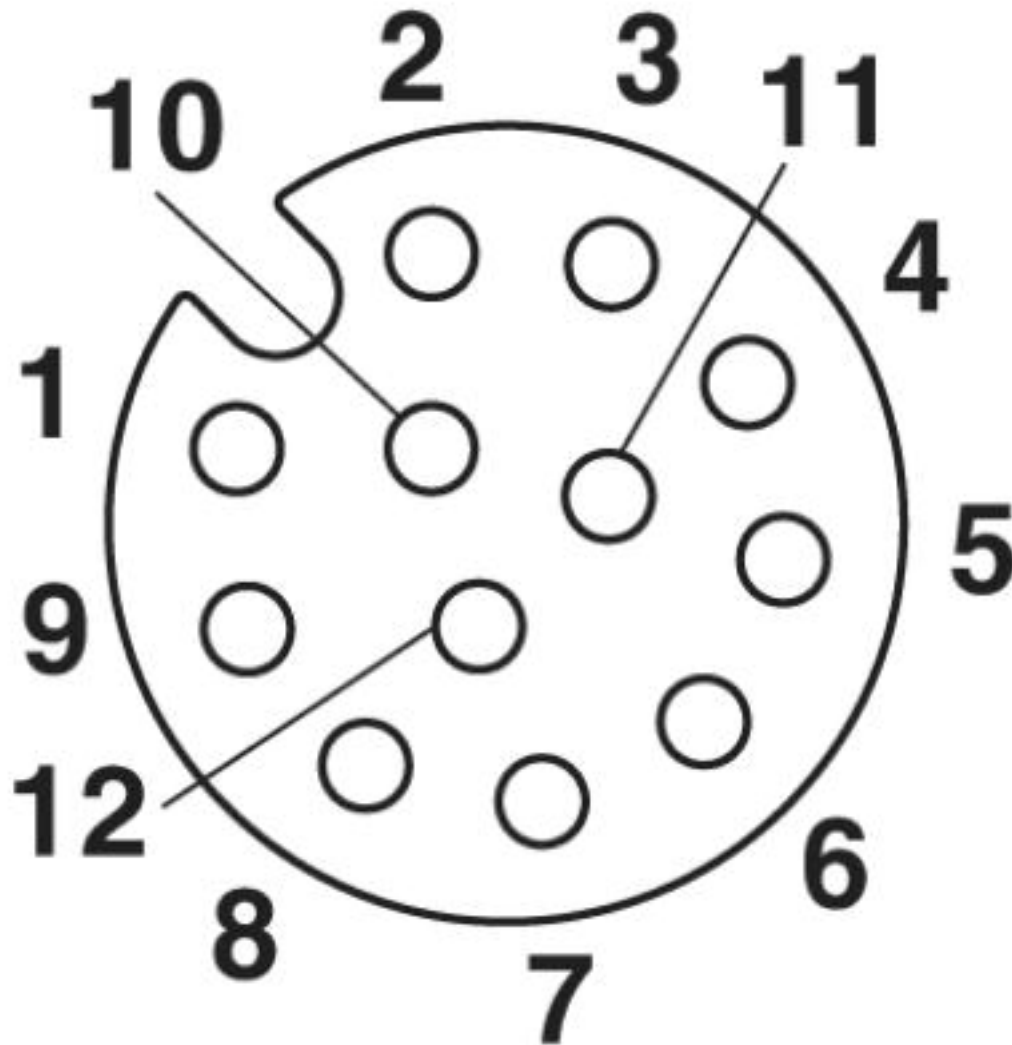
Dimensioned drawing



M12 x 1 socket, straight

# Connector - SACC-M12FS-12SOL-PG 9-M - 1404420

Schematic diagram



Pin assignment M12 socket, 12-pos., A-coded, view female side

© Phoenix Contact 2013 - all rights reserved  
<http://www.phoenixcontact.com>