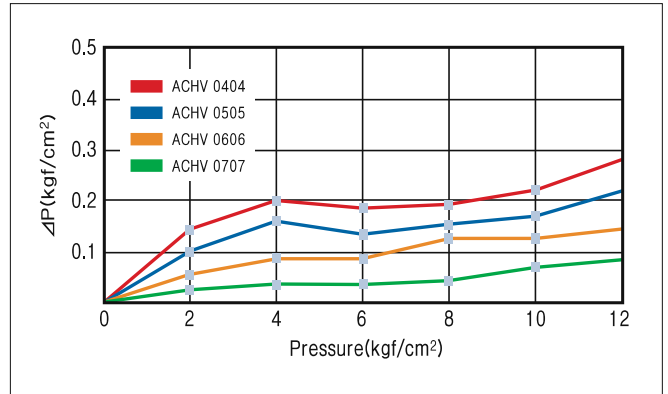


## Check Valves



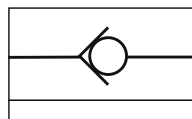
### Features

- Can be used with a variety of chemicals and gases. However, when using other than water or air, please refer to Chemical Compatibility Tables, or consult our representative.
- Do not apply excessive vibration, shock, torque, or other strong loads on the fittings. The valve body may be damaged or the collets may be dislocated.
- Superior function in a compact size.
- Color : Inch Size - White (Acetal)  
Metric Size - Black (Acetal)

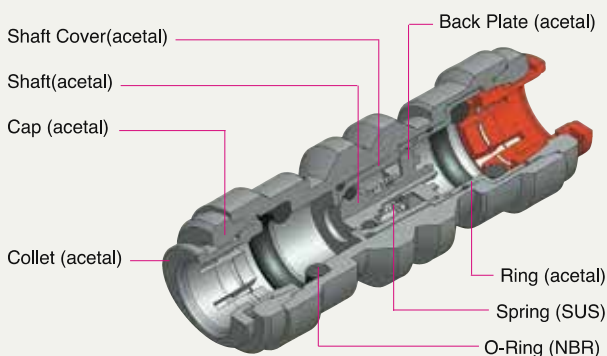
### Working Pressure and Temperature

Pressure	10bar	5bar
Temperature	1°C (35°F) ~ 20°C (70°F)	65°C (150°F)

### Check Valve Sign



### Structure



### CHV - CCheck Valve



PART NO.	Outlet Tube O.D.	Inlet Tube O.D.	Qty / Box
ACHV 0404	1/4	1/4	300
ACHV 0405	1/4	5/16	250
ACHV 0505	5/16	5/16	250
ACHV 0606	3/8	3/8	200
ACHV 0707	1/2	1/2	150



PART NO.	Outlet Tube O.D.(mm)	Inlet Tube O.D.(mm)	Qty / Box
ACHV 0606M	6	6	250
ACHV 0808M	8	8	200
ACHV 1010M	10	10	200
ACHV 1212M	12	12	150

### DCHV - Double CCheck Valve



PART NO.	Tube O.D.	Tube O.D.	Qty / Box
ADCHV 0404	1/4	1/4	200

### DCHV - Double CCheck Valve



PART NO.	Tube O.D. (mm)	Tube O.D. (mm)	Qty / Box
ADCHV 1515M	15	15	50

### MCHV - Mini CCheck Valve

NPTF Thread



PART NO.	Tube O.D.	NPTF Thread	Qty / Box
AMCHV 0402W	1/4	1/8	500

● 1kgf/cm² - 980cc/min