

Sensor/Actuator cable - SAC-3P-M12MS/3,0-PUR/A-1L-Z - 1400771

Please be informed that the data shown in this PDF Document is generated from our Online Catalog. Please find the complete data in the user's documentation. Our General Terms of Use for Downloads are valid (<http://download.phoenixcontact.com>)



Sensor/Actuator cable, 3-position, PUR halogen-free, Black-gray RAL 7021, Plug straight M12, A-coded, on Valve connector A, with 1 LED, connected with Z diode, Cable length: 3 m

The illustration shows the SPEEDCON version

Key commercial data

| | |
|------------------|---------------|
| package_quantity | 1 |
| GTIN | 4046356509534 |

Technical data

Dimensions

| | |
|-----------------|-----|
| Length of cable | 3 m |
|-----------------|-----|

Ambient conditions

| | |
|----------------------|------|
| Degree of protection | IP65 |
| Degree of protection | IP67 |

General

| | |
|------------------------------|--------------|
| Rated current at 40°C | 4 A |
| Rated voltage | 24 V |
| Number of positions | 3 |
| Contact resistance | ≤ 5 mΩ |
| Insulation resistance | ≥ 100 MΩ |
| Coding | A - standard |
| Status display | 1 LED |
| Protective circuit/component | Z diode |
| Surge voltage category | III |
| Pollution degree | 3 |
| Insertion/withdrawal cycles | ≥ 100 |

Material

| | |
|---|--------|
| Inflammability class according to UL 94 | HB |
| Contact material | CuSn |
| Contact surface material | Ni/Au |
| Contact carrier material | TPU GF |

Sensor/Actuator cable - SAC-3P-M12MS/3,0-PUR/A-1L-Z - 1400771

Technical data

Material

| | |
|-------------------------------------|------------------------------|
| Material of grip body | TPU |
| Valve plug contact material | CuSn |
| Valve plug contact surface material | Sn |
| Valve plug contact insert material | PA 66 |
| Material housing valve plug | TPU |
| Material, knurls | Zinc die-cast, nickel-plated |
| Sealing material | TPU (Seal molded) |

Cable

| | |
|---|--|
| Cable type | PUR halogen-free black |
| Cable type (abbreviation) | PUR |
| Cable abbreviation | Li9Y11Y-HF |
| UL AWM style | 20549 |
| Conductor cross section | 3x 0.5 mm ² |
| AWG signal line | 20 |
| Conductor structure signal line | 28x 0.15 mm |
| Core diameter including insulation | 1.5 mm ±0.05 mm (signal line) |
| Wire colors | black 1, black 2, green/yellow |
| Overall twist | 3 wires, twisted |
| External sheath, color | Black-gray RAL 7021 |
| External cable diameter D | 4.5 mm ± 0.2 mm |
| Smallest bending radius, fixed installation | 22.5 mm |
| Number of bending cycles | 15000000 |
| Bending radius | 50 mm |
| Traversing path | 0.9 m |
| Traversing rate | 5 m/s |
| Acceleration | 30 m/s ² |
| Outer sheath, material | PUR |
| Material conductor insulation | PP |
| Conductor material | Bare Cu litz wires |
| Insulation resistance | min. 20 MΩ*km |
| Conductor resistance | 39 Ω/km (at 20 °C) |
| Nominal voltage, cable | ≤ 300 V |
| Test voltage, cable | ≥ 1200 V |
| Flame resistance | According to DIN VDE 0482 |
| Flame resistance | According to DIN EN 50265-2-1 |
| Halogen-free | in accordance with DIN VDE 0472 part 815 |
| Other resistance | Largely oil-resistant |
| Other resistance | partly UV-resistant in accordance with DIN EN ISO 4892-2-A |
| Ambient temperature (operation) | -40 °C ... 80 °C (cable, fixed installation) |

Sensor/Actuator cable - SAC-3P-M12MS/3,0-PUR/A-1L-Z - 1400771

Technical data

Cable

| | |
|--|---|
| Ambient temperature (operation) | -20 °C ... 80 °C (cable, flexible installation) |
|--|---|

classifications

eCl@ss

| | |
|-------------------|----------|
| eCl@ss 4.0 | 27060306 |
| eCl@ss 4.1 | 27060306 |
| eCl@ss 5.0 | 27061801 |
| eCl@ss 5.1 | 27061801 |
| eCl@ss 6.0 | 27061801 |
| eCl@ss 7.0 | 27061801 |
| eCl@ss 8.0 | 27061801 |

ETIM

| | |
|-----------------|----------|
| ETIM 3.0 | EC001855 |
| ETIM 4.0 | EC001855 |
| ETIM 5.0 | EC001855 |

UNSPSC

| | |
|----------------------|----------|
| UNSPSC 6.01 | 31251501 |
| UNSPSC 7.0901 | 31251501 |
| UNSPSC 11 | 31251501 |
| UNSPSC 12.01 | 31251501 |
| UNSPSC 13.2 | 31251501 |

accessories

Mounting material

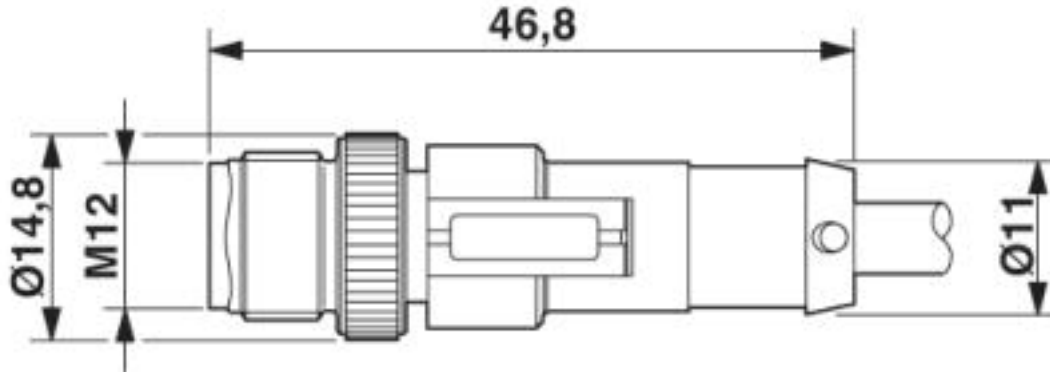
SAC-V-SCREW-M3-29 KNURL - 1403779



Drawings

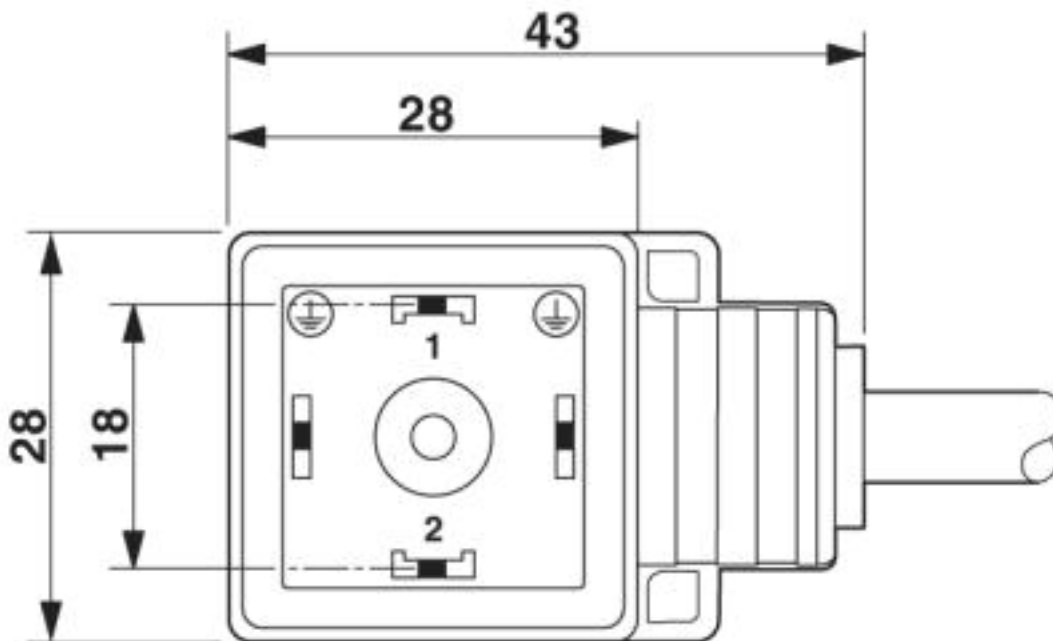
Sensor/Actuator cable - SAC-3P-M12MS/3,0-PUR/A-1L-Z - 1400771

Dimensioned drawing



M12 x 1 plug, straight

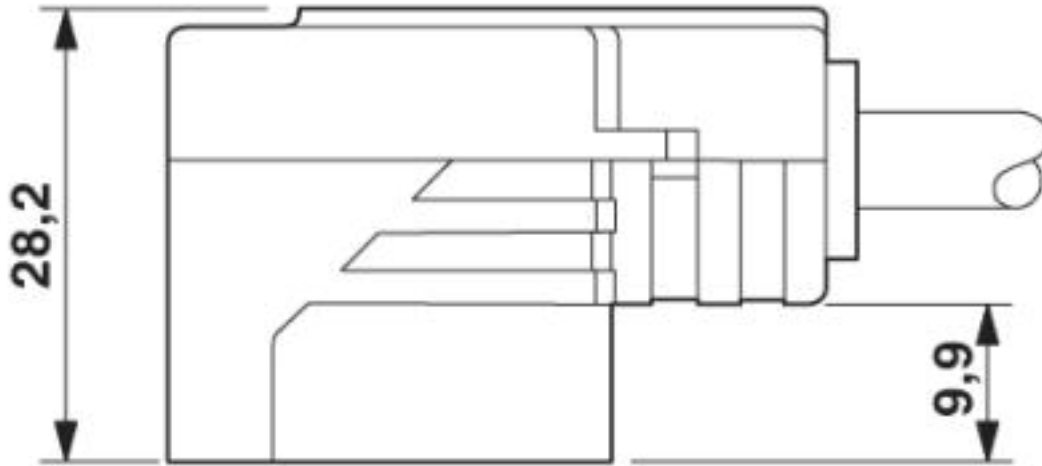
Dimensioned drawing



Valve connector, type A

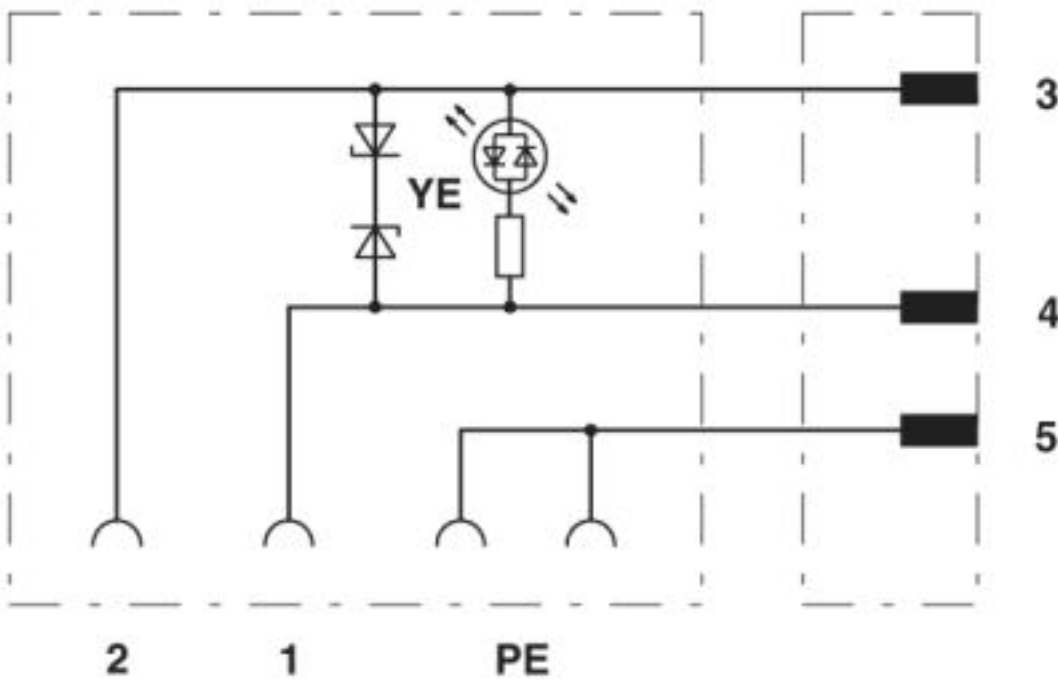
Sensor/Actuator cable - SAC-3P-M12MS/3,0-PUR/A-1L-Z - 1400771

Dimensioned drawing



Valve connector, type A, side view

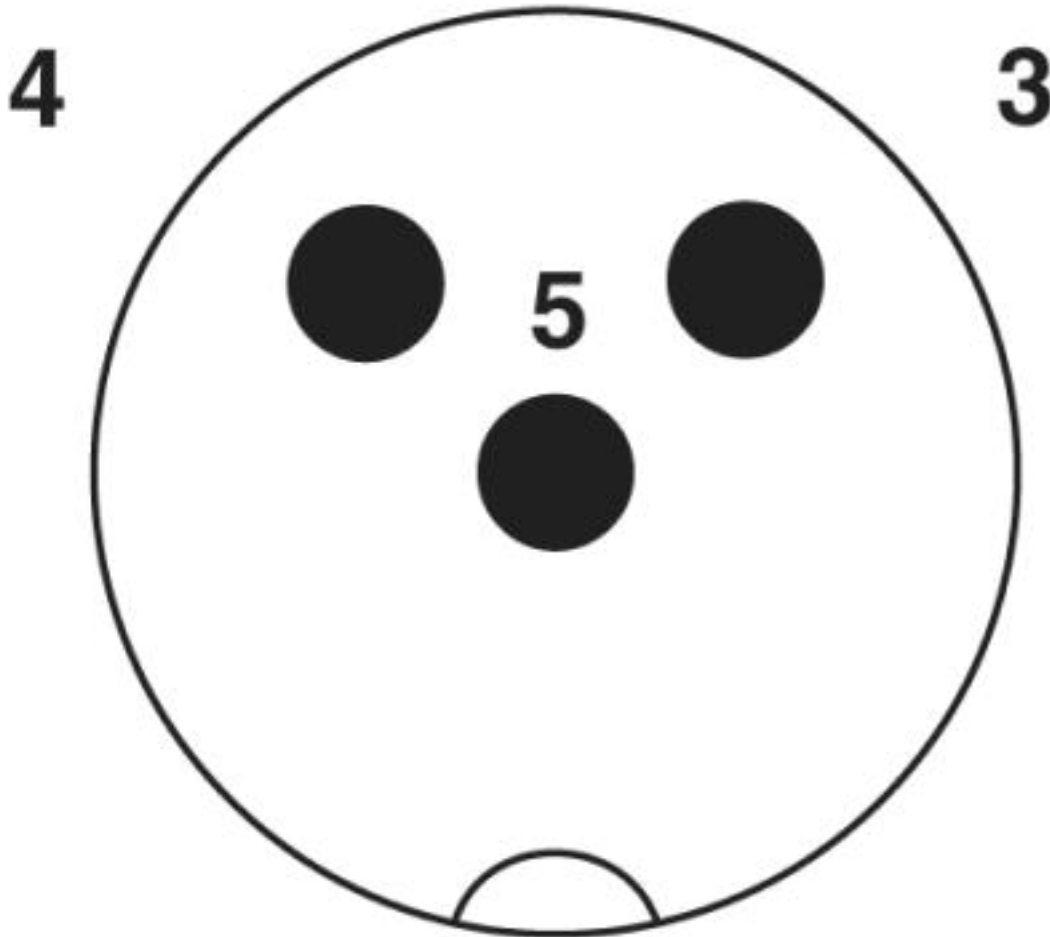
Circuit diagram



Contact assignment of M12 plug and valve connector

Sensor/Actuator cable - SAC-3P-M12MS/3,0-PUR/A-1L-Z - 1400771

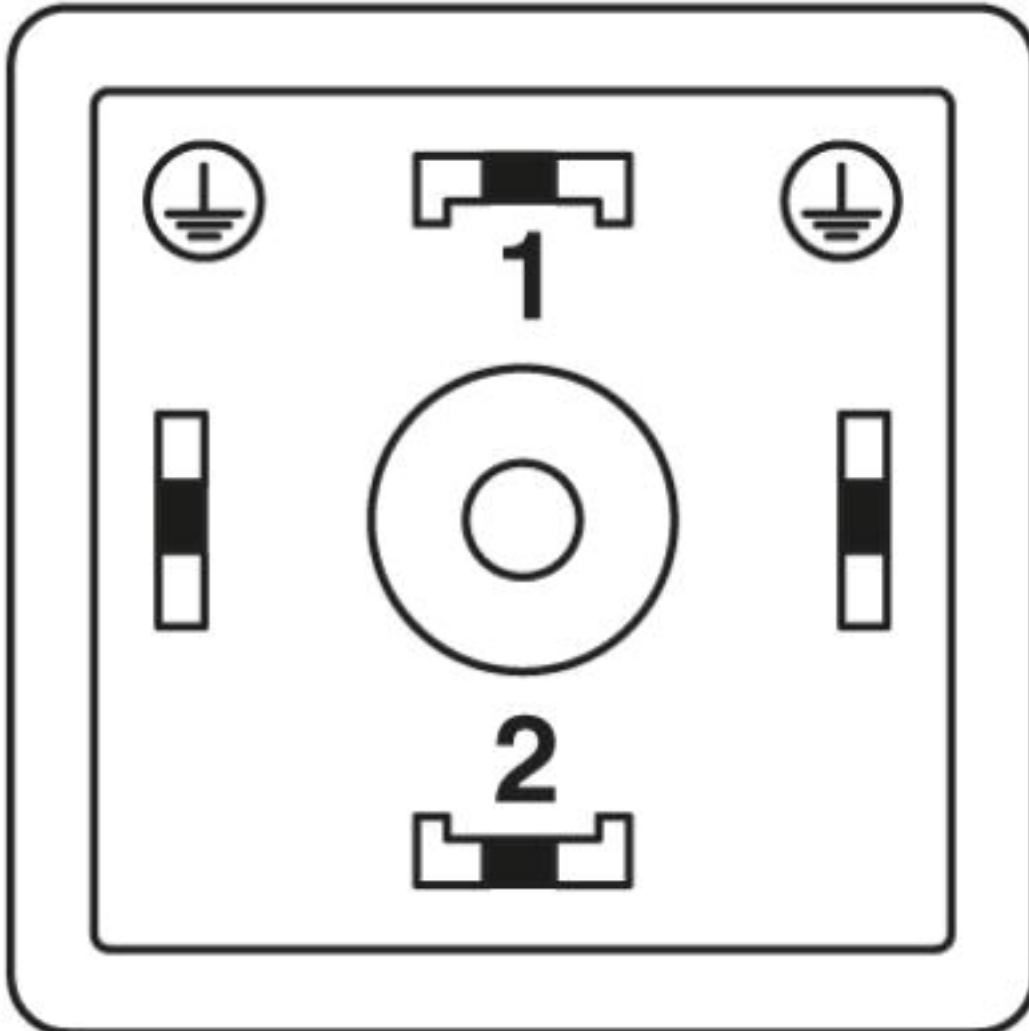
Schematic diagram



Pin assignment M12 plug, 3-pos., valve connector

Sensor/Actuator cable - SAC-3P-M12MS/3,0-PUR/A-1L-Z - 1400771

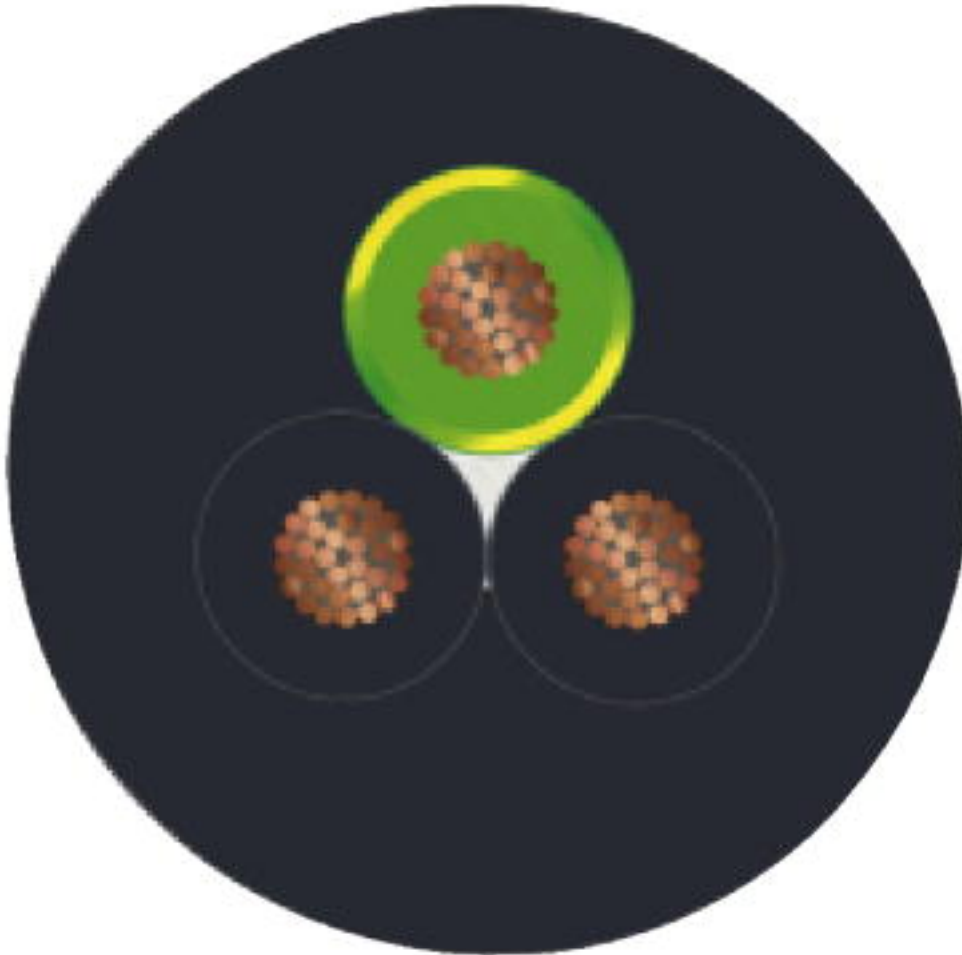
Schematic diagram



Valve connector pin assignment, type A

Sensor/Actuator cable - SAC-3P-M12MS/3,0-PUR/A-1L-Z - 1400771

Cable cross section



PUR halogen-free black [PUR]

© Phoenix Contact 2013 - all rights reserved
<http://www.phoenixcontact.com>