

Valve connectors - SACC-V-3CON-M16/A-1L-S - 1544714

Please be informed that the data shown in this PDF Document is generated from our Online Catalog. Please find the complete data in the user's documentation. Our General Terms of Use for Downloads are valid (<http://download.phoenixcontact.com>)



Valve connector, 3-pos., type A, 1 LED, with protective circuit, screw connection, cable screw connection M16

Key commercial data

package_quantity	1
GTIN	4046356116381

Technical data

Dimensions

External diameter	5 mm ... 10 mm
-------------------	----------------

Ambient conditions

Ambient temperature (operation)	-25 °C ... 60 °C (valve plug)
Degree of protection	IP65

General

Rated current at 40°C	4 A
Rated voltage	24 V
Number of positions	3
Contact resistance	≤ 4 MΩ
Insulation resistance	> 2 GΩ
Standards/regulations	Valve connector EN 175301-803
Status display	Yellow LED
Protective circuit/component	Z diode
Surge voltage category	II
Pollution degree	3
Connection method	Screw connection
Conductor cross section	0.34 mm ² ... 2.5 mm ²
AWG conductor cross section	22 ... 13

Material

Inflammability class according to UL 94	HB
Valve plug contact material	CuSn
Valve plug contact surface material	Ag
Valve plug contact insert material	PBT

Valve connectors - SACC-V-3CON-M16/A-1L-S - 1544714

Technical data

Material

Material housing valve plug	PA
Sealing material	NBR

classifications

eCl@ss

eCl@ss 4.0	27250313
eCl@ss 4.1	27250313
eCl@ss 5.0	27143423
eCl@ss 5.1	27143423
eCl@ss 6.0	27143423
eCl@ss 7.0	27449001
eCl@ss 8.0	27449001

ETIM

ETIM 3.0	EC002062
ETIM 4.0	EC002062
ETIM 5.0	EC002062

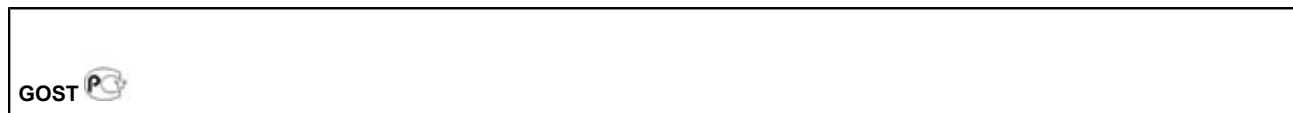
UNSPSC

UNSPSC 6.01	31251501
UNSPSC 7.0901	31251501
UNSPSC 11	31251501
UNSPSC 12.01	31251501
UNSPSC 13.2	31251501

approvals

GOST /

Approval details



accessories

Cable by the meter

Valve connectors - SACC-V-3CON-M16/A-1L-S - 1544714

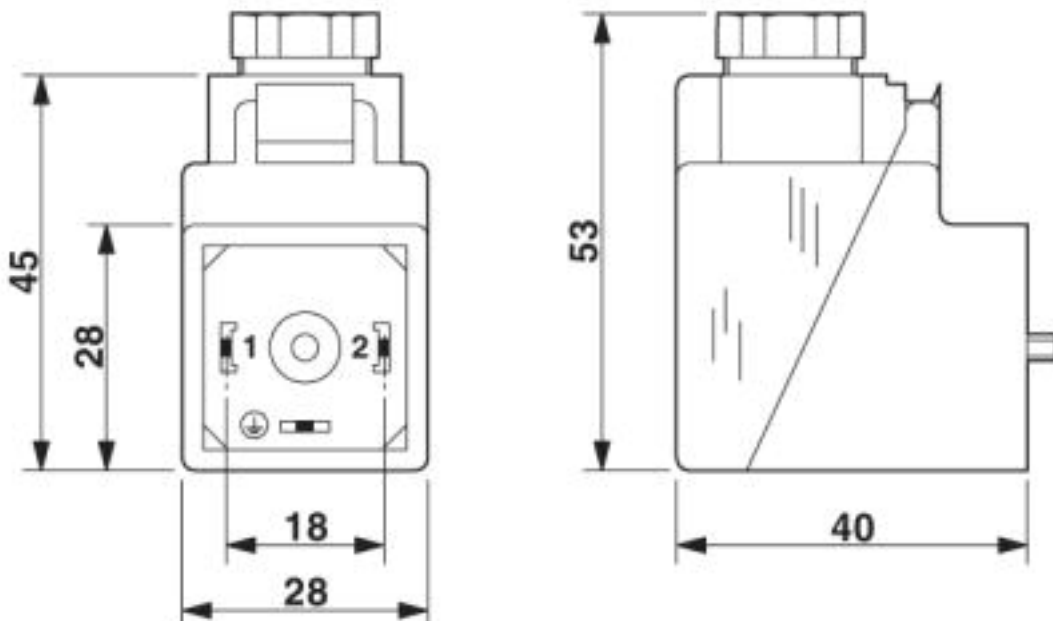
accessories

SAC-3P-100,0-PUR/0,5 - 1457393



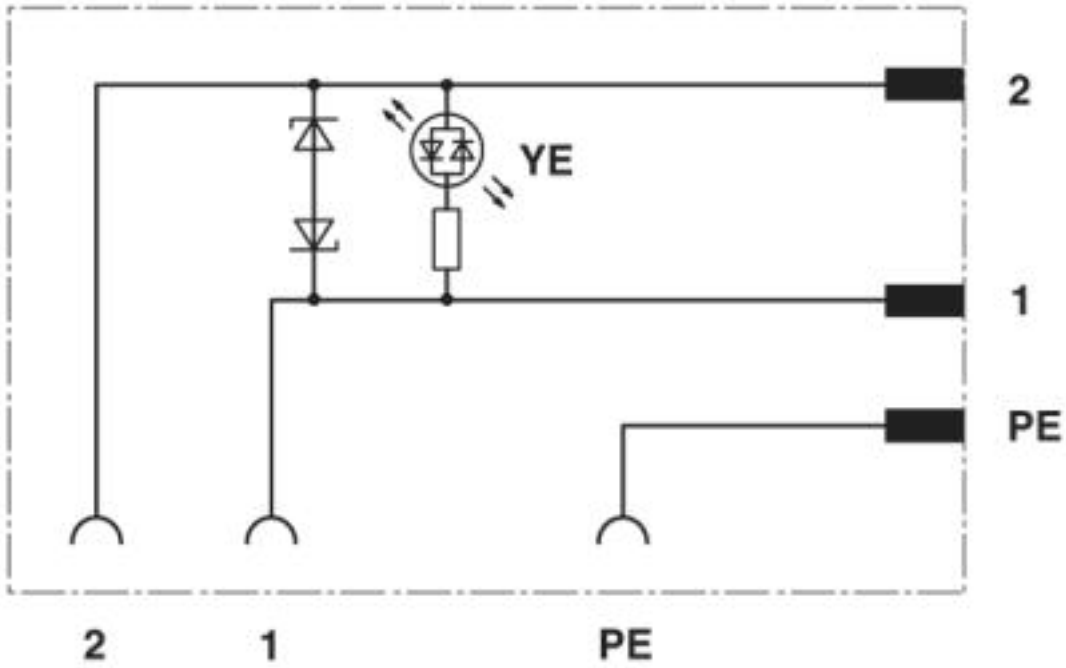
Drawings

Dimensioned drawing



Valve connectors - SACC-V-3CON-M16/A-1L-S - 1544714

Circuit diagram



© Phoenix Contact 2013 - all rights reserved
<http://www.phoenixcontact.com>