

Connection terminal block - AKG 35 GNYE - 0424026

Please be informed that the data shown in this PDF Document is generated from our Online Catalog. Please find the complete data in the user's documentation. Our General Terms of Use for Downloads are valid (<http://download.phoenixcontact.com>)



Connection terminal block, Connection method Screw connection, Load current : 125 A, Cross section: 2.5 mm² - 35 mm², Width: 14.3 mm, Color: green-yellow

Key commercial data

package_quantity	50
GTIN	4017918002053

Technical data

General

Color	green-yellow
Insulating material	PA
Inflammability class according to UL 94	V2

General

Maximum load current	125 A (with 35 mm ² conductor cross section)
Connection in acc. with standard	IEC / EN
Nominal current I_N	125 A
Nominal voltage U_N	300 V

Dimensions

Length	27 mm
Width	14.3 mm

Connection data

Conductor cross section solid min.	2.5 mm ²
Conductor cross section solid max.	35 mm ²
Conductor cross section stranded min.	2.5 mm ²
Conductor cross section stranded max.	35 mm ²
Conductor cross section AWG/kcmil min.	14
Conductor cross section AWG/kcmil max	2
Conductor cross section stranded, with ferrule without plastic sleeve min.	2.5 mm ²
Conductor cross section stranded, with ferrule without plastic sleeve max.	35 mm ²
Conductor cross section stranded, with ferrule with plastic sleeve min.	2.5 mm ²

Connection terminal block - AKG 35 GNYE - 0424026

Technical data

Connection data

Conductor cross section stranded, with ferrule with plastic sleeve max.	35 mm ²
2 conductors with same cross section, solid min.	1.5 mm ²
2 conductors with same cross section, solid max.	16 mm ²
2 conductors with same cross section, stranded min.	1.5 mm ²
2 conductors with same cross section, stranded max.	16 mm ²
2 conductors with same cross section, stranded, ferrules without plastic sleeve, min.	1.5 mm ²
2 conductors with same cross section, stranded, ferrules without plastic sleeve, max.	16 mm ²
2 conductors with same cross section, stranded, TWIN ferrules with plastic sleeve, min.	1.5 mm ²
2 conductors with same cross section, stranded, TWIN ferrules with plastic sleeve, max.	10 mm ²
Connection method	Screw connection
Stripping length	16 mm
Screw thread	M6
Tightening torque, min	3.2 Nm
Tightening torque max	3.7 Nm

classifications

eCl@ss

eCl@ss 4.0	27141131
eCl@ss 4.1	27141131
eCl@ss 5.0	27141131
eCl@ss 5.1	27141131
eCl@ss 6.0	27141120
eCl@ss 7.0	27141120
eCl@ss 8.0	27141120

ETIM

ETIM 2.0	EC000897
ETIM 3.0	EC000897
ETIM 4.0	EC000897
ETIM 5.0	EC000897

UNSPSC

UNSPSC 6.01	30211811
UNSPSC 7.0901	39121410
UNSPSC 11	39121410
UNSPSC 12.01	39121410
UNSPSC 13.2	39121410

Connection terminal block - AKG 35 GNYE - 0424026

approvals

CSA / UL Recognized / cUL Recognized / GOST / GOST / cULus Recognized /

Approval details

Nominal voltage UN	
Nominal current IN	135 A
mm ² /AWG/kcmil	18-2

Nominal voltage UN	
Nominal current IN	
mm ² /AWG/kcmil	18-2

Nominal voltage UN	
Nominal current IN	
mm ² /AWG/kcmil	18-2

--	--

--	--

--	--

accessories

Support

Connection terminal block - AKG 35 GNYE - 0424026

accessories

ABN 2/SS - 0404460



UAB 1 - 3032431



AB/SS - 0404428



AB2/SS - 0404431



Screwdriver tools

SZS 1,0X4,0 VDE - 1205066



Connection terminal block - AKG 35 GNYE - 0424026

accessories

SZS 1,0X6,5 VDE - 1205079



Neutral conductor rail

NLS-CU 3/10 SN 1000MM - 0402174



Terminal marking

ZB 6:UNBEDRUCKT - 1051003



UC-TM 6 - 0818085



UCT-TM 6 - 0828736



Labeled terminal marker

Connection terminal block - AKG 35 GNYE - 0424026

accessories

ZB 6 CUS - 0824992



UC-TM 6 CUS - 0824589



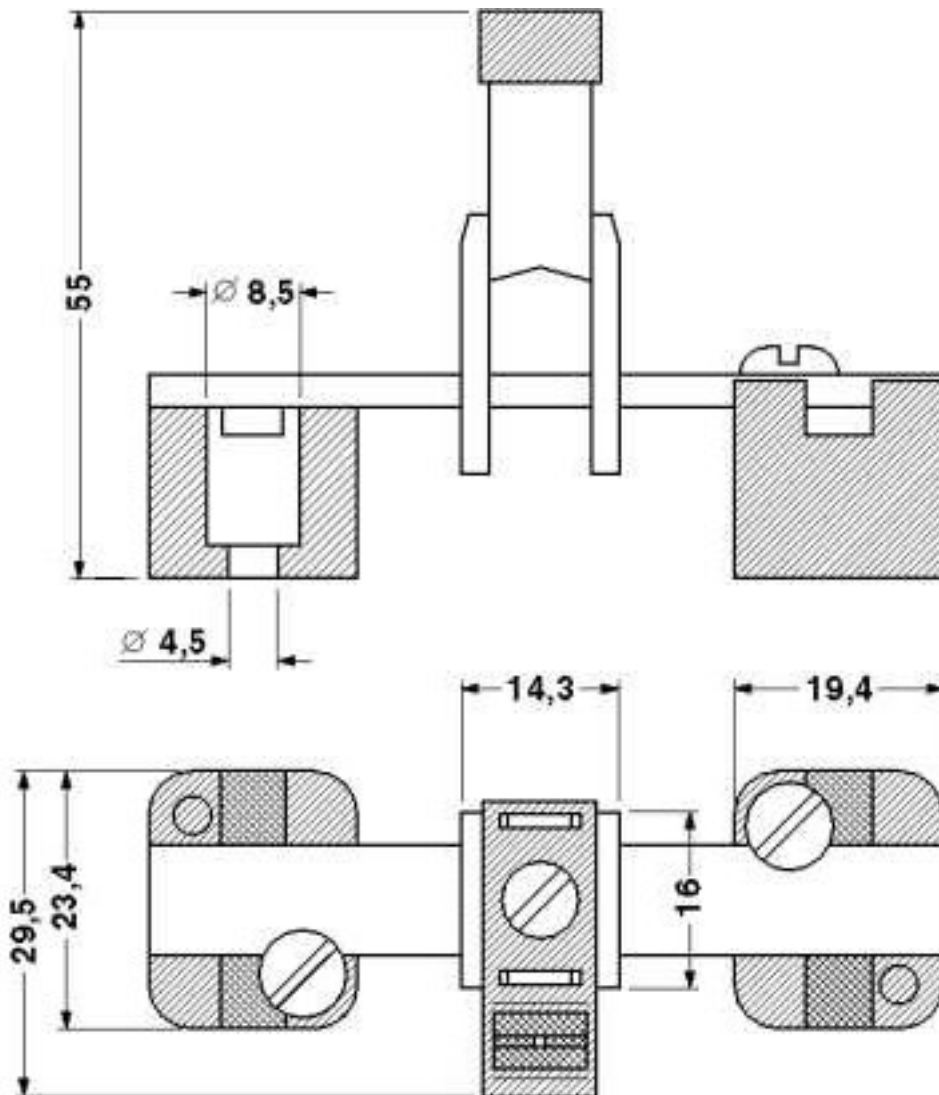
UCT-TM 6 CUS - 0829602



Drawings

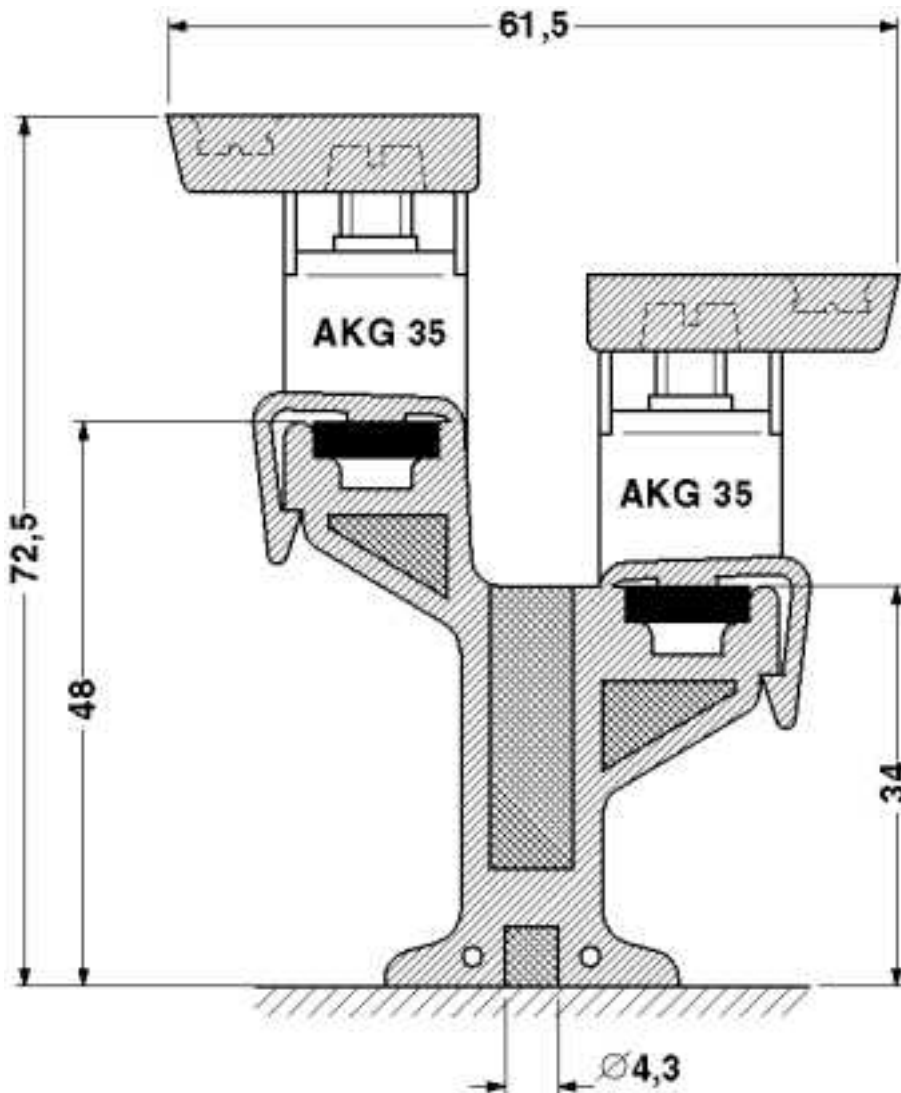
Connection terminal block - AKG 35 GNYE - 0424026

Dimensioned drawing



Connection terminal block - AKG 35 GNYE - 0424026

Dimensioned drawing



© Phoenix Contact 2013 - all rights reserved
<http://www.phoenixcontact.com>