

# Connection terminal block - AK 4 MIT SIX LOBE SCHRAUBE - 0711409

Please be informed that the data shown in this PDF Document is generated from our Online Catalog. Please find the complete data in the user's documentation. Our General Terms of Use for Downloads are valid (<http://download.phoenixcontact.com>)



Connection terminal block, Connection method Screw connection, Load current : 41 A, Cross section: 0.5 mm<sup>2</sup> - 6 mm<sup>2</sup>, Width: 7 mm, Color: silver

The figure shows AK 4

## Key commercial data

<b>package_quantity</b>	50
<b>GTIN</b>	4017918320621

## Technical data

### General

<b>Color</b>	silver
<b>Insulating material</b>	PA
<b>Inflammability class according to UL 94</b>	V2

### General

<b>Maximum load current</b>	41 A (with 6 mm <sup>2</sup> conductor cross section)
<b>Nominal current I<sub>N</sub></b>	32 A

### Dimensions

<b>Length</b>	23.5 mm
<b>Width</b>	7 mm

### Connection data

<b>Conductor cross section solid min.</b>	0.5 mm <sup>2</sup>
<b>Conductor cross section solid max.</b>	6 mm <sup>2</sup>
<b>Conductor cross section stranded min.</b>	0.5 mm <sup>2</sup>
<b>Conductor cross section stranded max.</b>	4 mm <sup>2</sup>
<b>Conductor cross section AWG/kcmil min.</b>	20
<b>Conductor cross section AWG/kcmil max</b>	10
<b>Conductor cross section stranded, with ferrule without plastic sleeve min.</b>	0.5 mm <sup>2</sup>
<b>Conductor cross section stranded, with ferrule without plastic sleeve max.</b>	6 mm <sup>2</sup>
<b>Conductor cross section stranded, with ferrule with plastic sleeve min.</b>	0.5 mm <sup>2</sup>

# Connection terminal block - AK 4 MIT SIX LOBE SCHRAUBE - 0711409

## Technical data

### Connection data

Conductor cross section stranded, with ferrule with plastic sleeve max.	6 mm <sup>2</sup>
2 conductors with same cross section, solid min.	0.5 mm <sup>2</sup>
2 conductors with same cross section, solid max.	2.5 mm <sup>2</sup>
2 conductors with same cross section, stranded min.	0.5 mm <sup>2</sup>
2 conductors with same cross section, stranded max.	2.5 mm <sup>2</sup>
2 conductors with same cross section, stranded, ferrules without plastic sleeve, min.	0.5 mm <sup>2</sup>
2 conductors with same cross section, stranded, ferrules without plastic sleeve, max.	2.5 mm <sup>2</sup>
2 conductors with same cross section, stranded, TWIN ferrules with plastic sleeve, min.	0.5 mm <sup>2</sup>
2 conductors with same cross section, stranded, TWIN ferrules with plastic sleeve, max.	2.5 mm <sup>2</sup>
Connection method	Screw connection
Stripping length	16 mm
Screw thread	M4
Tightening torque, min	1.5 Nm
Tightening torque max	1.8 Nm

## classifications

### eCl@ss

eCl@ss 4.0	27141131
eCl@ss 4.1	27141131
eCl@ss 5.0	27141131
eCl@ss 5.1	27141131
eCl@ss 6.0	27141120
eCl@ss 7.0	27141120
eCl@ss 8.0	27141120

### ETIM

ETIM 2.0	EC000897
ETIM 3.0	EC000897
ETIM 4.0	EC000897
ETIM 5.0	EC000897

### UNSPSC

UNSPSC 6.01	30211811
UNSPSC 7.0901	39121410
UNSPSC 11	39121410
UNSPSC 12.01	39121410
UNSPSC 13.2	39121410

# Connection terminal block - AK 4 MIT SIX LOBE SCHRAUBE - 0711409

approvals

---

GOST / GOST /

---

Approval details



accessories

**Support**

UAB 1 - 3032431



---

ABN 2/SS - 0404460



---

AB2/SS - 0404431



# Connection terminal block - AK 4 MIT SIX LOBE SCHRAUBE - 0711409

accessories

AB/SS - 0404428



---

## Screwdriver tools

SZS 0,6X3,5 - 1205053



---

## Neutral conductor rail

NLS-CU 3/10 SN 1000MM - 0402174



---

## Terminal marking

ZB 5 :UNBEDRUCKT - 1050004



---

UC-TM 5 - 0818108



# Connection terminal block - AK 4 MIT SIX LOBE SCHRAUBE - 0711409

## accessories

---

UCT-TM 5 - 0828734



## Labeled terminal marker

ZB 5 CUS - 0824962



UC-TM 5 CUS - 0824581



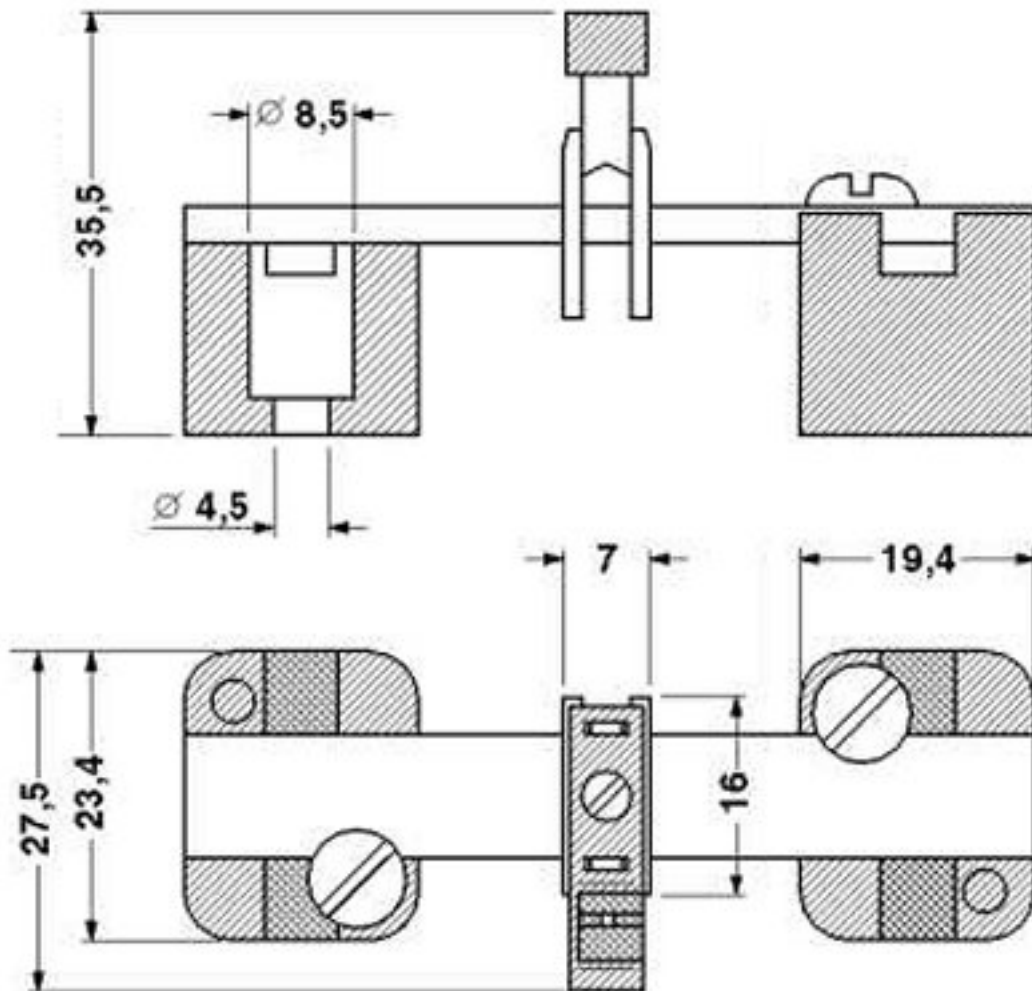
UCT-TM 5 CUS - 0829595



## Drawings

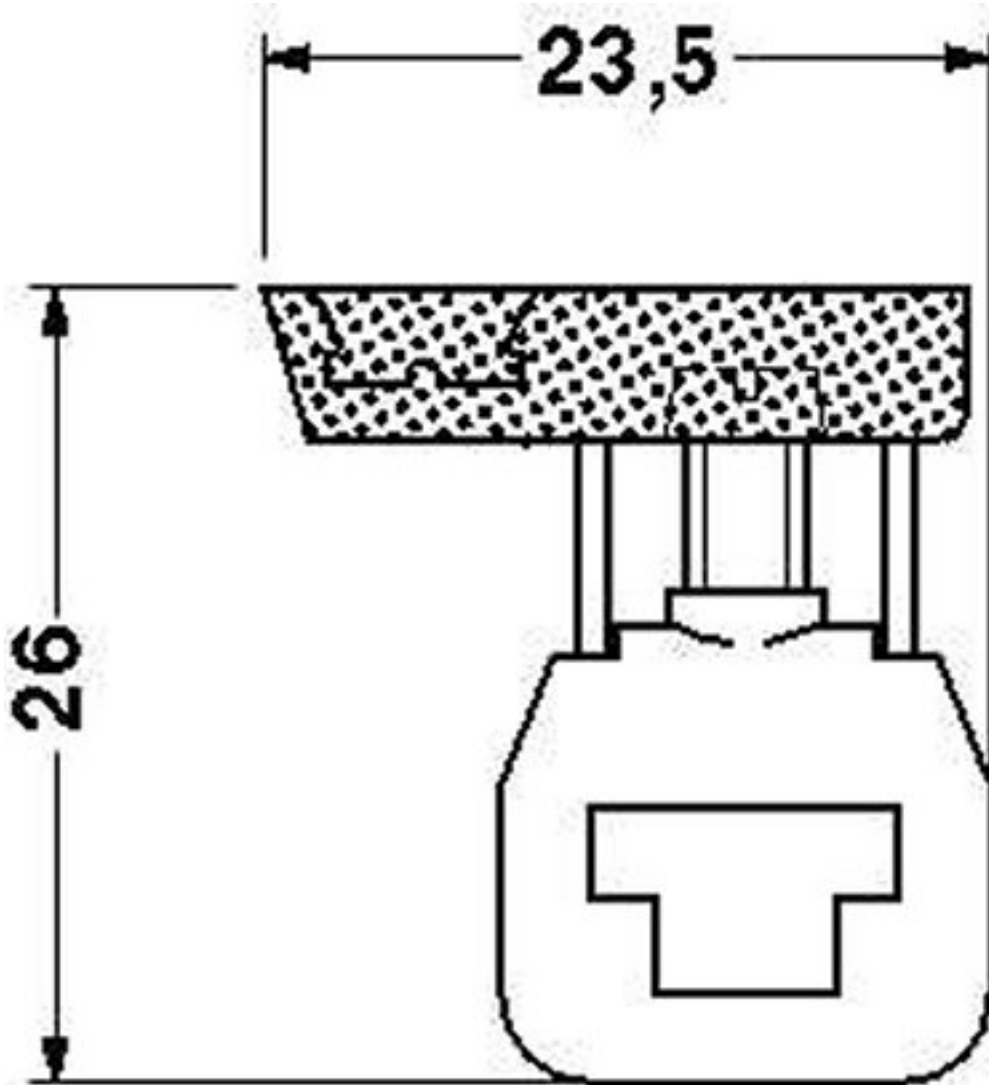
# Connection terminal block - AK 4 MIT SIX LOBE SCHRAUBE - 0711409

Dimensioned drawing



# Connection terminal block - AK 4 MIT SIX LOBE SCHRAUBE - 0711409

Dimensioned drawing



© Phoenix Contact 2013 - all rights reserved  
<http://www.phoenixcontact.com>