

Sleeve housing - VC-K-T1-Z - 1852930

Please be informed that the data shown in this PDF Document is generated from our Online Catalog. Please find the complete data in the user's documentation. Our General Terms of Use for Downloads are valid (<http://download.phoenixcontact.com>)



Plastic sleeve housing, locking screws with cylindrical head, type 1, cable screw connection Pg16

Product Features

- Seals with two cable entries are available
- Angled cable outlet so the cable can be routed as desired, from the side and straight

Key commercial data

package_quantity	5
GTIN	4017918133917

Technical data

Dimensions

Height	65 mm
---------------	-------

Ambient conditions

Degree of protection	IP67
Ambient temperature (operation)	-40 °C ... 80 °C

General

Note	When using fiber optics, the bending radii of the cable manufacturers must be observed.
Design	VC1
Degree of protection	IP67
Inflammability class according to UL 94	V0
Locking type	Screw locking, cylinder head
Fixing screws	M4
Tightening torque, mounting screw	1.5 Nm ± 0.3 Nm
Type of the screw connection	Pg16
Pg screw connection	None
Cable exit	Angled
Housing material	Polyamide
Seal material	EPDM
Ambient temperature (operation)	-40 °C ... 80 °C

Sleeve housing - VC-K-T1-Z - 1852930

classifications

eCl@ss

eCl@ss 4.0	27140816
eCl@ss 4.1	27140816
eCl@ss 5.0	27371205
eCl@ss 5.1	27371205
eCl@ss 6.0	27371205
eCl@ss 7.0	27371205
eCl@ss 8.0	27371205

ETIM

ETIM 2.0	EC000437
ETIM 3.0	EC000437
ETIM 4.0	EC000437
ETIM 5.0	EC000437

UNSPSC

UNSPSC 6.01	31261501
UNSPSC 7.0901	31261501
UNSPSC 11	31261501
UNSPSC 12.01	31261501
UNSPSC 13.2	31261501

approvals

GOST / GOST /

Approval details



accessories

Half screw connection

Sleeve housing - VC-K-T1-Z - 1852930

accessories

VC-K-KV-PG16(4- 6,5) - 1854459



VC-K-KV-PG16(5- 8) - 1853735



VC-K-KV-PG16(6,5- 9,5) - 1853748



VC-K-KV-PG16(7-10,5) - 1853751



VC-K-KV-PG16(9-13) - 1853764



VC-K-KV-PG16(11,5-15,5) - 1854844



Sleeve housing - VC-K-T1-Z - 1852930

accessories

VC-K-KV-PG16 7/14 - 1607664



Multiple screw connection

VC-K-KV-PG16 1X3/1X8 - 1885376



VC-K-KV-PG16 1X3/1X9 - 1885389



VC-K-KV-PG16 1X6/1X8 - 1885392



VC-K-KV-PG16 1X5/1X9 - 1885402



Sleeve housing - VC-K-T1-Z - 1852930

accessories

VC-K-KV-PG16 1X3/2X8 - 1885415



VC-K-KV-PG16 1X5/2X6 - 1885428



VC-K-KV-PG16 2X6/1X7 - 1885431



accessories

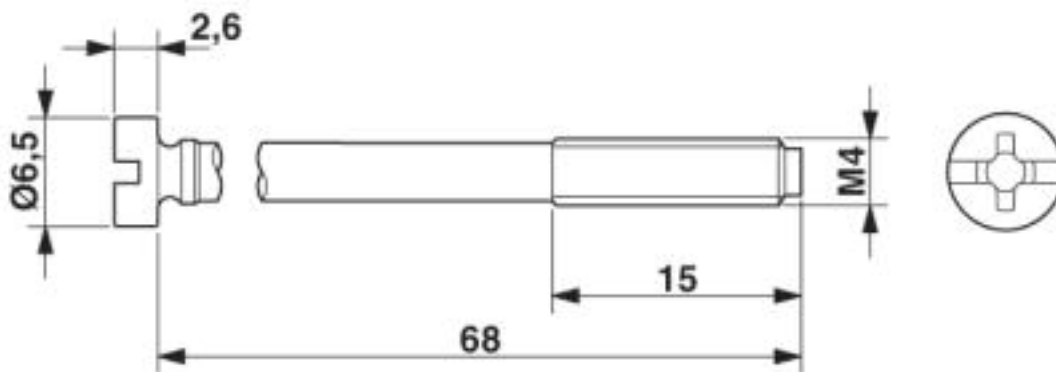
VC-BZS WH - 1852875



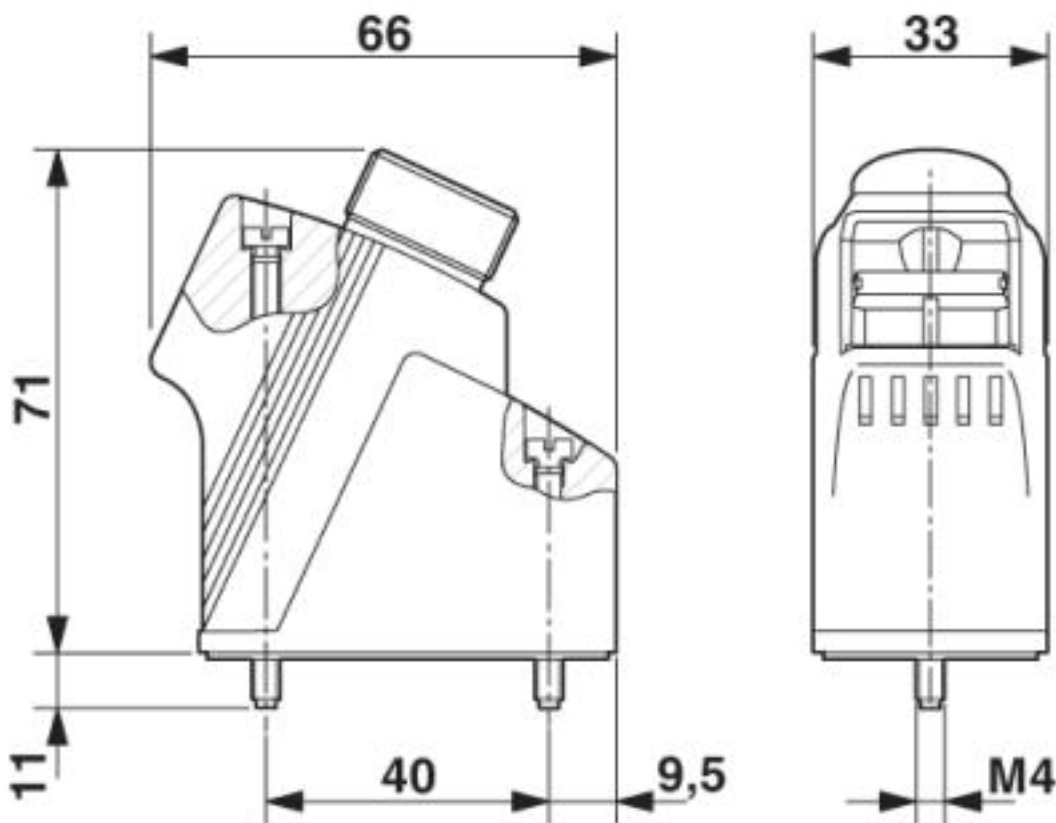
Drawings

Sleeve housing - VC-K-T1-Z - 1852930

Dimensioned drawing

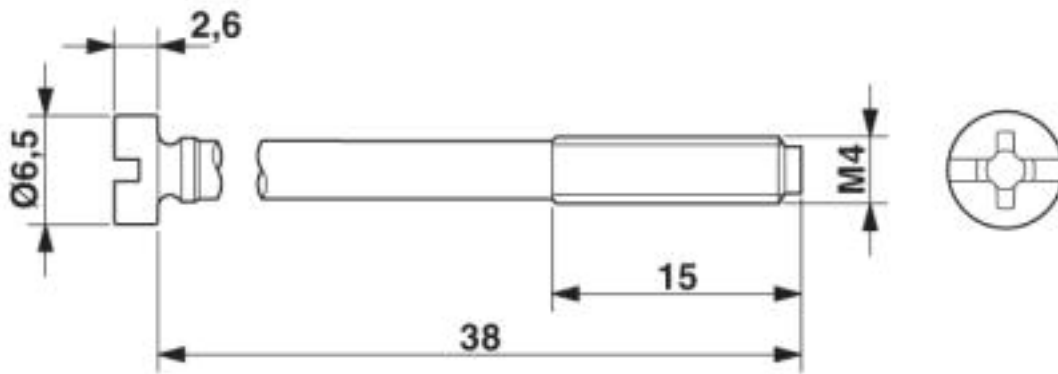


Dimensioned drawing



Sleeve housing - VC-K-T1-Z - 1852930

Dimensioned drawing



© Phoenix Contact 2013 - all rights reserved
<http://www.phoenixcontact.com>