

# Sensor/Actuator cable - SAC-5P- 3,0-PUR/AD-2L - 1435098

Please be informed that the data shown in this PDF Document is generated from our Online Catalog. Please find the complete data in the user's documentation. Our General Terms of Use for Downloads are valid (<http://download.phoenixcontact.com>)



Sensor/Actuator cable, 5-position, PUR halogen-free, Black RAL 9005, Free cable end, on Valve connector AD (pressure switch), with 2 LEDs, Cable length: 3 m

## Product Features

- Easy and safe: 100% electrically tested plug-in components
- Robust valve connector without protective circuit
- Our standard: robust halogen-free PUR cable

## Key commercial data

<b>package_quantity</b>	1
<b>GTIN</b>	4046356413459

## Technical data

### Dimensions

<b>Length of cable</b>	3 m
<b>Stripping length of the free conductor end</b>	50 mm

### Ambient conditions

<b>Ambient temperature (operation)</b>	-20 °C ... 85 °C (valve plug)
<b>Degree of protection</b>	IP65
<b>Degree of protection</b>	IP67

### General

<b>Rated current at 40°C</b>	4 A
<b>Rated voltage</b>	24 V
<b>Number of positions</b>	5
<b>Contact resistance</b>	≤ 5 mΩ
<b>Insulation resistance</b>	≥ 100 MΩ
<b>Status display</b>	2 LEDs
<b>Protective circuit/component</b>	Unwired
<b>Surge voltage category</b>	III
<b>Pollution degree</b>	3
<b>Torque</b>	0.6 Nm (valve plug)

### Material

<b>Inflammability class according to UL 94</b>	V0
--	----

## Sensor/Actuator cable - SAC-5P- 3,0-PUR/AD-2L - 1435098

### Technical data

#### Material

Valve plug contact material	CuSn
Valve plug contact surface material	Sn
Valve plug contact insert material	PA 6
Material housing valve plug	TPU
Sealing material	TPU (Seal molded)

#### Cable

Cable type	PUR halogen-free black
Cable type (abbreviation)	PUR
Cable abbreviation	Li9Y11Y-HF
UL AWM style	20549
Conductor cross section	5x 0.5 mm <sup>2</sup>
AWG signal line	20
Conductor structure signal line	28x 0.15 mm
Core diameter including insulation	1.5 mm ±0.05 mm (signal line)
Wire colors	Black 1, black 2, black 3, black 4, green/yellow
Overall twist	5 cores, twisted
External sheath, color	Black-gray RAL 7021
External cable diameter D	5.3 mm ±0.02 mm
Smallest bending radius, fixed installation	26.5 mm
Smallest bending radius, movable installation	53 mm
Number of bending cycles	15000000
Bending radius	50 mm
Traversing path	0.9 m
Traversing rate	5 m/s
Acceleration	30 m/s <sup>2</sup>
Outer sheath, material	PUR
Material conductor insulation	PP
Conductor material	Bare Cu litz wires
Insulation resistance	min. 20 MΩ*km
Conductor resistance	39 Ω/km (at 20 °C)
Nominal voltage, cable	300 V
Test voltage, cable	1200 V
Special properties	Flexible cable conduit capable
Special properties	Silicone-free
Special properties	Free of substances which would hinder coating with paint or varnish
Flame resistance	in accordance with DIN UL-Style 20549
Halogen-free	in accordance with DIN VDE 0472 part 815
Resistance to oil	in accordance with DIN EN 60811-2-1
Other resistance	Highly resistant to acids, alkaline solutions and solvents
Other resistance	hydrolysis and microbe resistant

# Sensor/Actuator cable - SAC-5P- 3,0-PUR/AD-2L - 1435098

## Technical data

### Cable

<b>Other resistance</b>	Largely oil-resistant
<b>Other resistance</b>	partly UV-resistant in accordance with DIN EN ISO 4892-2-A
<b>Ambient temperature (operation)</b>	-40 °C ... 80 °C (cable, fixed installation)
<b>Ambient temperature (operation)</b>	-20 °C ... 80 °C (cable, flexible installation)

## classifications

### eCl@ss

<b>eCl@ss 4.0</b>	27060306
<b>eCl@ss 4.1</b>	27060306
<b>eCl@ss 5.0</b>	27061801
<b>eCl@ss 5.1</b>	27061801
<b>eCl@ss 6.0</b>	27061801
<b>eCl@ss 7.0</b>	27061801
<b>eCl@ss 8.0</b>	27061801

### ETIM

<b>ETIM 3.0</b>	EC001855
<b>ETIM 4.0</b>	EC001855
<b>ETIM 5.0</b>	EC001855

### UNSPSC

<b>UNSPSC 6.01</b>	31251501
<b>UNSPSC 7.0901</b>	31251501
<b>UNSPSC 11</b>	31251501
<b>UNSPSC 12.01</b>	31251501
<b>UNSPSC 13.2</b>	31251501

## approvals

GOST /

### Approval details



## accessories

### Mounting material

## Sensor/Actuator cable - SAC-5P- 3,0-PUR/AD-2L - 1435098

accessories

SAC-V-SCREW-M3-29 KNURL - 1403779



---

### Torque tool

TSD-M 1,2NM - 1212224



---

### Screwdriver tools

SF-BIT-PH 1-70 - 1212582



---

### Conductor marking

PABA WH/15 - 1013151



PABA YE/15 - 1013698



## Sensor/Actuator cable - SAC-5P- 3,0-PUR/AD-2L - 1435098

### accessories

PABA RD/15 - 1013944



---

### Marker carrier cable

PATG 2/15 - 1013038



---

PATG 3/15 - 1013041



---

PATG 4/15 - 1013054



---

### Marker pen

B-STIFT - 1051993



---

### Cutting tools

## Sensor/Actuator cable - SAC-5P- 3,0-PUR/AD-2L - 1435098

### accessories

CUTFOX-S VDE - 1212207



---

### Stripping tool

WIREFOX SAC - 1212623



WIREFOX 10 - 1212150



---

### accessories

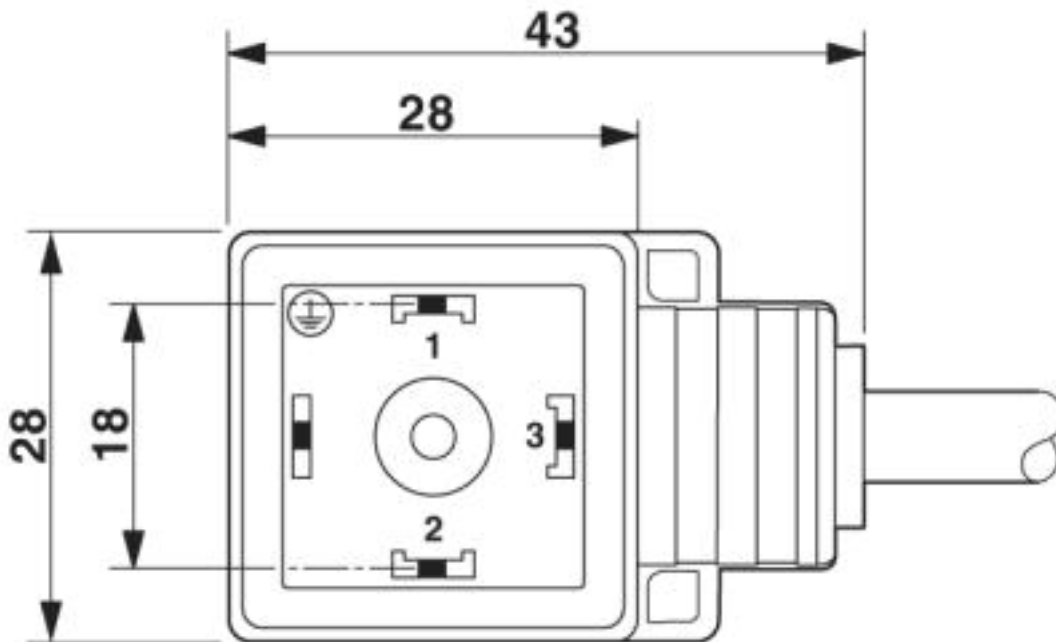
WIREFOX SAC-1 - 1212757

---

### Drawings

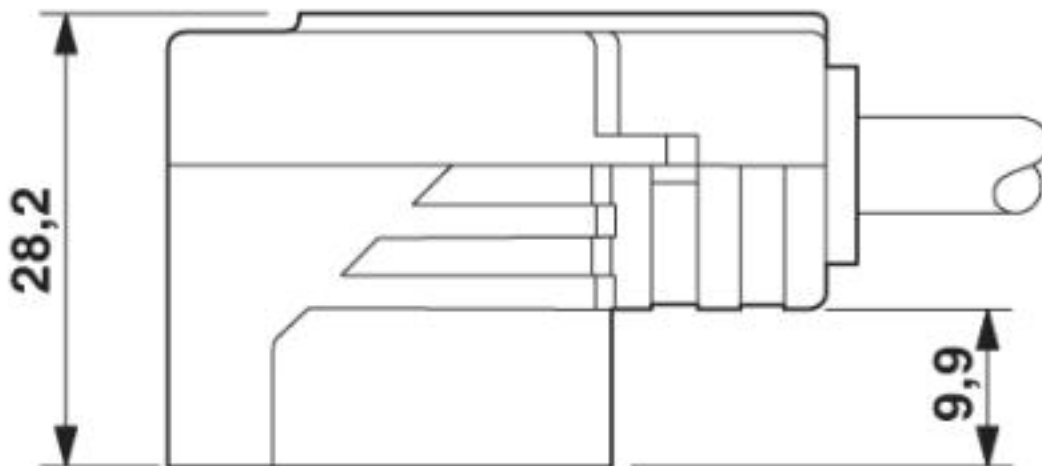
## Sensor/Actuator cable - SAC-5P- 3,0-PUR/AD-2L - 1435098

Dimensioned drawing



Valve connector, type AD

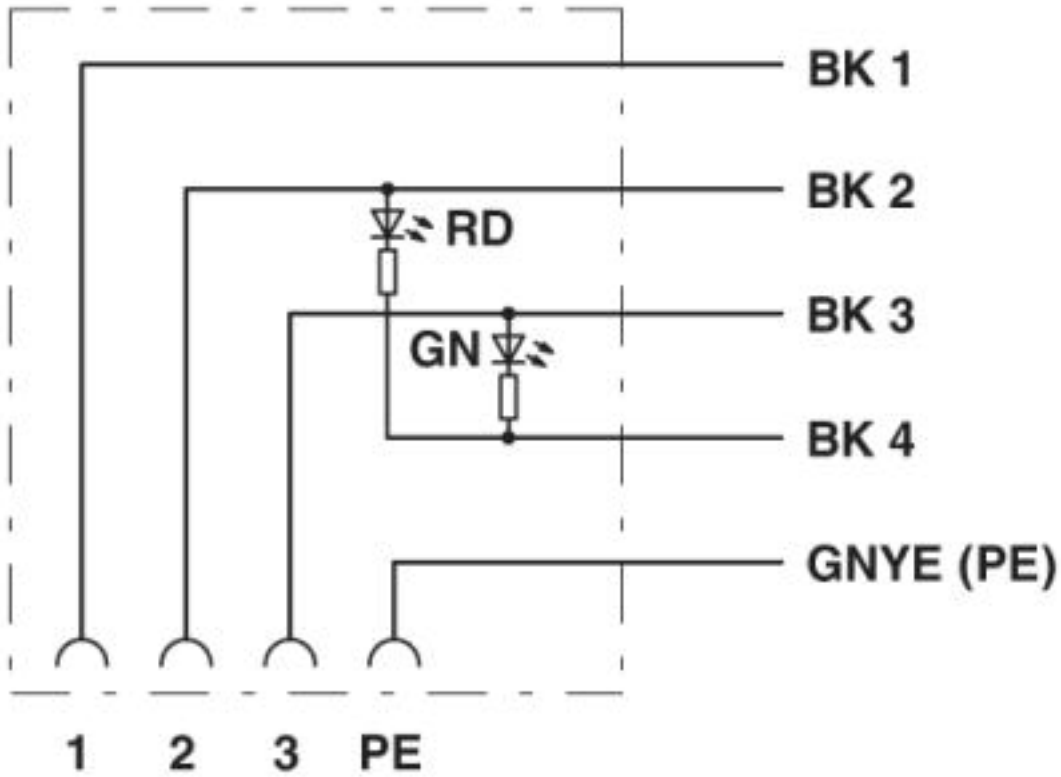
Dimensioned drawing



Valve connector, type AD, side view

# Sensor/Actuator cable - SAC-5P- 3,0-PUR/AD-2L - 1435098

Circuit diagram

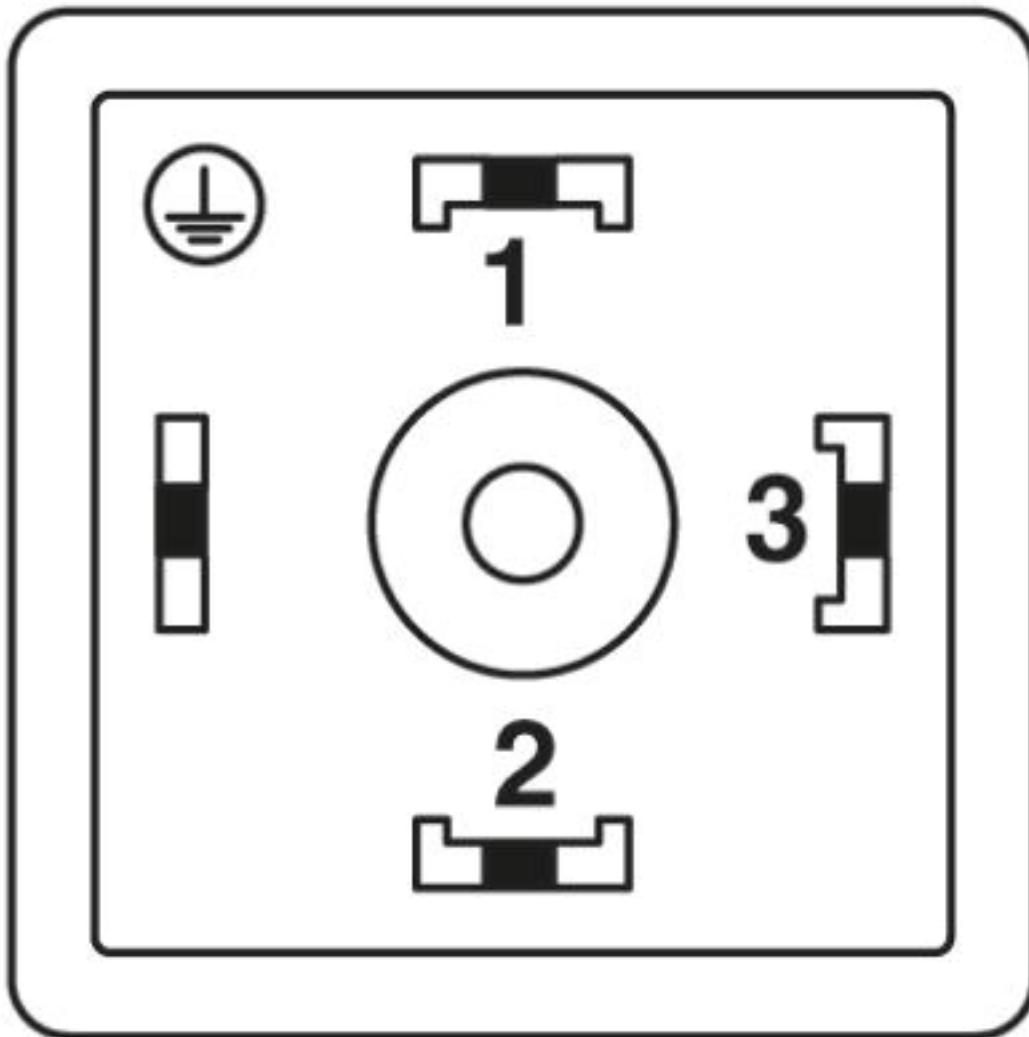


Contact assignment of the valve plug



# Sensor/Actuator cable - SAC-5P- 3,0-PUR/AD-2L - 1435098

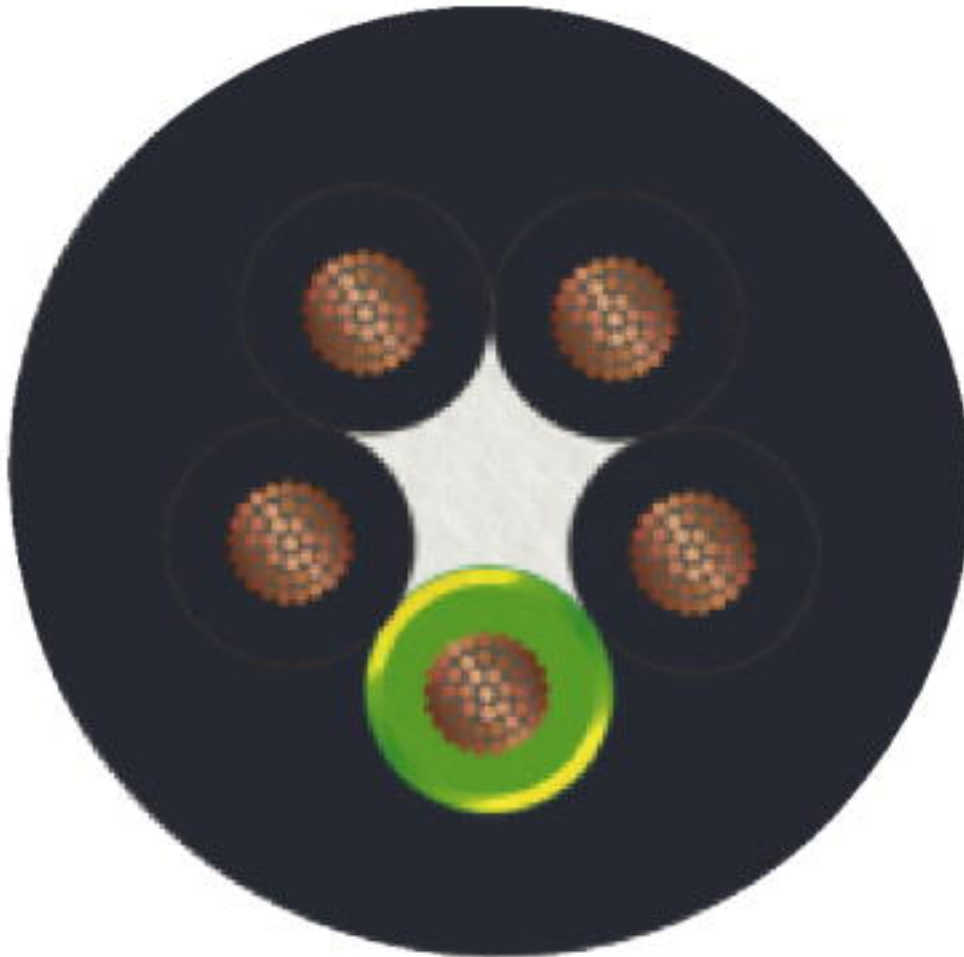
Schematic diagram



Valve plug connector pin assignment, type AD

## Sensor/Actuator cable - SAC-5P- 3,0-PUR/AD-2L - 1435098

Cable cross section



PUR halogen-free black [PUR]

© Phoenix Contact 2013 - all rights reserved  
<http://www.phoenixcontact.com>