

# Contact insert - HC-K 6/36-EBUC - 1636389

Please be informed that the data shown in this PDF Document is generated from our Online Catalog. Please find the complete data in the user's documentation. Our General Terms of Use for Downloads are valid (<http://download.phoenixcontact.com>)



HEAVYCON female insert, K6/36 series, for 6 power and 36 control contacts, crimp connection

## Key commercial data

package_quantity	1
GTIN	4046356011525

## Technical data

### General

Note	For HEAVYCON ADVANCE and HEAVYCON housing of type B16/B32, power contacts: CK 4,0-ED, control contacts: CK 1,6-ED (crimp contacts not supplied as standard)
Connection method	Crimp connection (power contacts)
Connection method	Crimp connection (control contacts)
Pollution degree	3
Surge voltage category	III
Number of positions	6+36+PE
No. of power contacts	6
No. of control contacts	36
Insertion/withdrawal cycles	≥ 500
Design	B16
Conductor cross section	1.5 mm <sup>2</sup> ... 6 mm <sup>2</sup> (power contacts)
Conductor cross section	0.14 mm <sup>2</sup> ... 2.5 mm <sup>2</sup> (control contacts)
Connection cross section AWG	16 ... 10 (power contacts)
Connection cross section AWG	26 ... 14 (control contacts)
Stripping length of the individual wire	9 mm (1.5 mm <sup>2</sup> - 2.5 mm <sup>2</sup> )
Stripping length of the individual wire	8 mm (0.14 - 1.5 mm <sup>2</sup> )
Stripping length of the individual wire	9.5 mm (4 - 6 mm <sup>2</sup> )
Stripping length of the individual wire	6 mm (2.5 mm <sup>2</sup> )
Wire diameter including insulation	5 mm

### Ambient conditions

Ambient temperature (operation)	-40 °C ... 125 °C
---------------------------------	-------------------

### Material data

# Contact insert - HC-K 6/36-EBUC - 1636389

## Technical data

### Material data

<b>Inflammability class according to UL 94</b>	V0
<b>Contact material</b>	Cu alloy
<b>Material of contact surface, power contact</b>	Ag
<b>Material of contact surface, control contact</b>	Ag (alternatively Au)
<b>Contact carrier material</b>	PC

### Electrical characteristics

<b>Rated voltage (III/3)</b>	690 V (power contacts)
<b>Rated voltage (III/3)</b>	160 V (control contacts)
<b>Rated surge voltage</b>	8 kV (power contacts)
<b>Rated surge voltage</b>	2.5 kV (control contacts)
<b>Rated current</b>	40 A (power contacts)
<b>Rated current</b>	10 A (control contacts)

## classifications

### eCl@ss

<b>eCl@ss 4.0</b>	27140816
<b>eCl@ss 4.1</b>	27140816
<b>eCl@ss 5.0</b>	27143424
<b>eCl@ss 5.1</b>	27143424
<b>eCl@ss 6.0</b>	27143424
<b>eCl@ss 7.0</b>	27440209
<b>eCl@ss 8.0</b>	27440209

### ETIM

<b>ETIM 2.0</b>	EC000438
<b>ETIM 3.0</b>	EC000438
<b>ETIM 4.0</b>	EC000438
<b>ETIM 5.0</b>	EC000438

### UNSPSC

<b>UNSPSC 6.01</b>	30211923
<b>UNSPSC 7.0901</b>	39121522
<b>UNSPSC 11</b>	39121522
<b>UNSPSC 12.01</b>	39121522
<b>UNSPSC 13.2</b>	39121522

## approvals

---

CSA / UL Recognized / GOST /

---

### Approval details

# Contact insert - HC-K 6/36-EBUC - 1636389

## approvals

<b>CSA</b>	
Nominal voltage UN	600 V
Nominal current IN	40 A
mm <sup>2</sup> /AWG/kcmil	13-9

<b>UL Recognized</b>	
Nominal voltage UN	600 V
Nominal current IN	
mm <sup>2</sup> /AWG/kcmil	

<b>GOST</b>	
-------------	--

## accessories

### Fiber optics contact

CK1,6-ED-BU-POF - 1885004



---

### Crimp contact

CK1,6-ED-0,37BU AG - 1663394



## Contact insert - HC-K 6/36-EBUC - 1636389

### accessories

CK1,6-ED-0,50BU AG - 1663404



CK1,6-ED-0,75BU AG - 1663417



CK1,6-ED-1,00BU AG - 1663420



CK1,6-ED-1,50BU AG - 1663433



CK1,6-ED-2,50BU AG - 1663446



CK1,6-ED-0,37BU AU - 1674969



## Contact insert - HC-K 6/36-EBUC - 1636389

accessories

---

CK1,6-ED-0,50BU AU - 1674480



CK1,6-ED-0,75BU AU - 1672440



CK1,6-ED-1,00BU AU - 1674943



CK1,6-ED-1,50BU AU - 1674930



CK1,6-ED-2,50BU AU - 1674985



## Contact insert - HC-K 6/36-EBUC - 1636389

### accessories

CK4,0-ED-1,50BU AG - 1663271



CK4,0-ED-2,50BU AG - 1663284



CK4,0-ED-4,00BU AG - 1663297



CK4,0-ED-6,00BU AG - 1663307



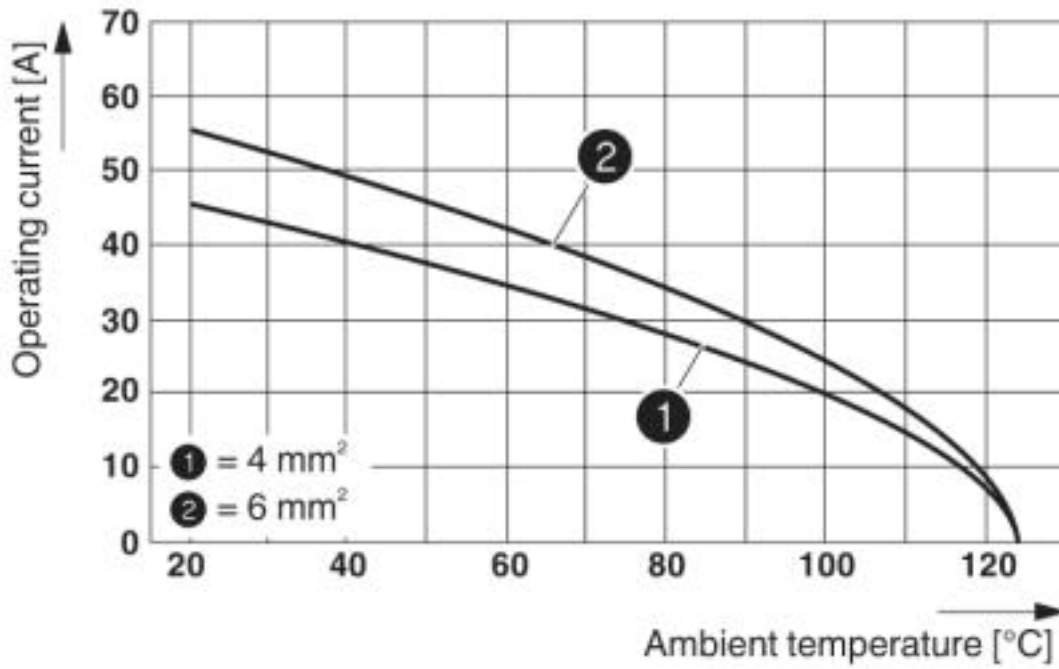
CK4,0-ED-10,00BU AG - 1586183



### Drawings

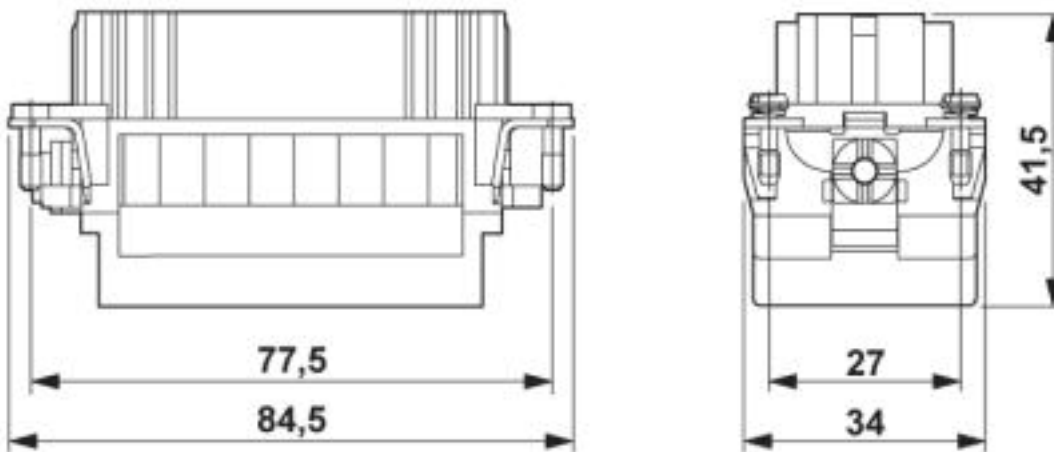
# Contact insert - HC-K 6/36-EBUC - 1636389

Diagram



Derating curve

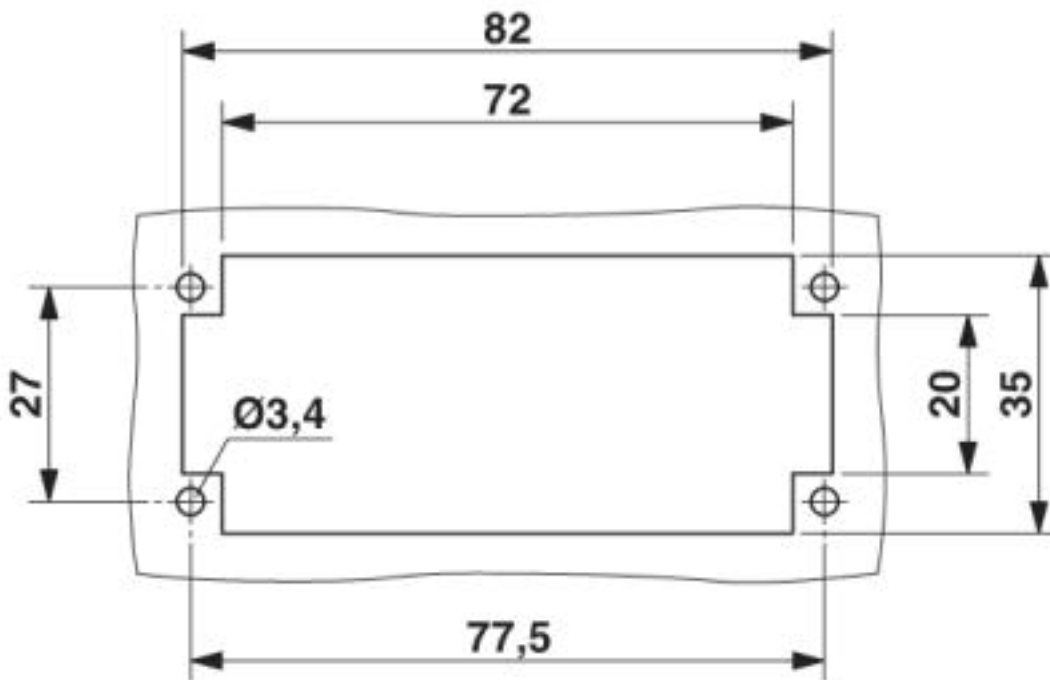
Dimensioned drawing



Dimensional drawing

# Contact insert - HC-K 6/36-EBUC - 1636389

Dimensioned drawing

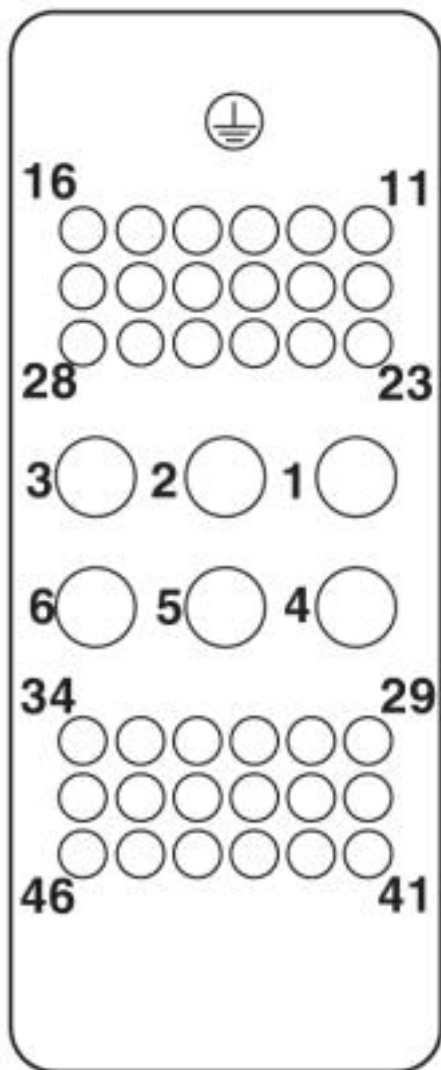


Panel cutout



# Contact insert - HC-K 6/36-EBUC - 1636389

Schematic diagram



Connector pin assignment, connection side

© Phoenix Contact 2013 - all rights reserved  
<http://www.phoenixcontact.com>