



Part No.:	975.826.05
-----------	------------

Width in mm:	79 mm
--------------	-------

Height in mm:	44 mm
---------------	-------

Depth in mm:	99 mm
--------------	-------



TECHNICAL DATA

^ General information

Part No.	975.826.05
----------	------------

^ Mechanical data

Length	99 mm
---------------	-------

Width	79 mm
--------------	-------

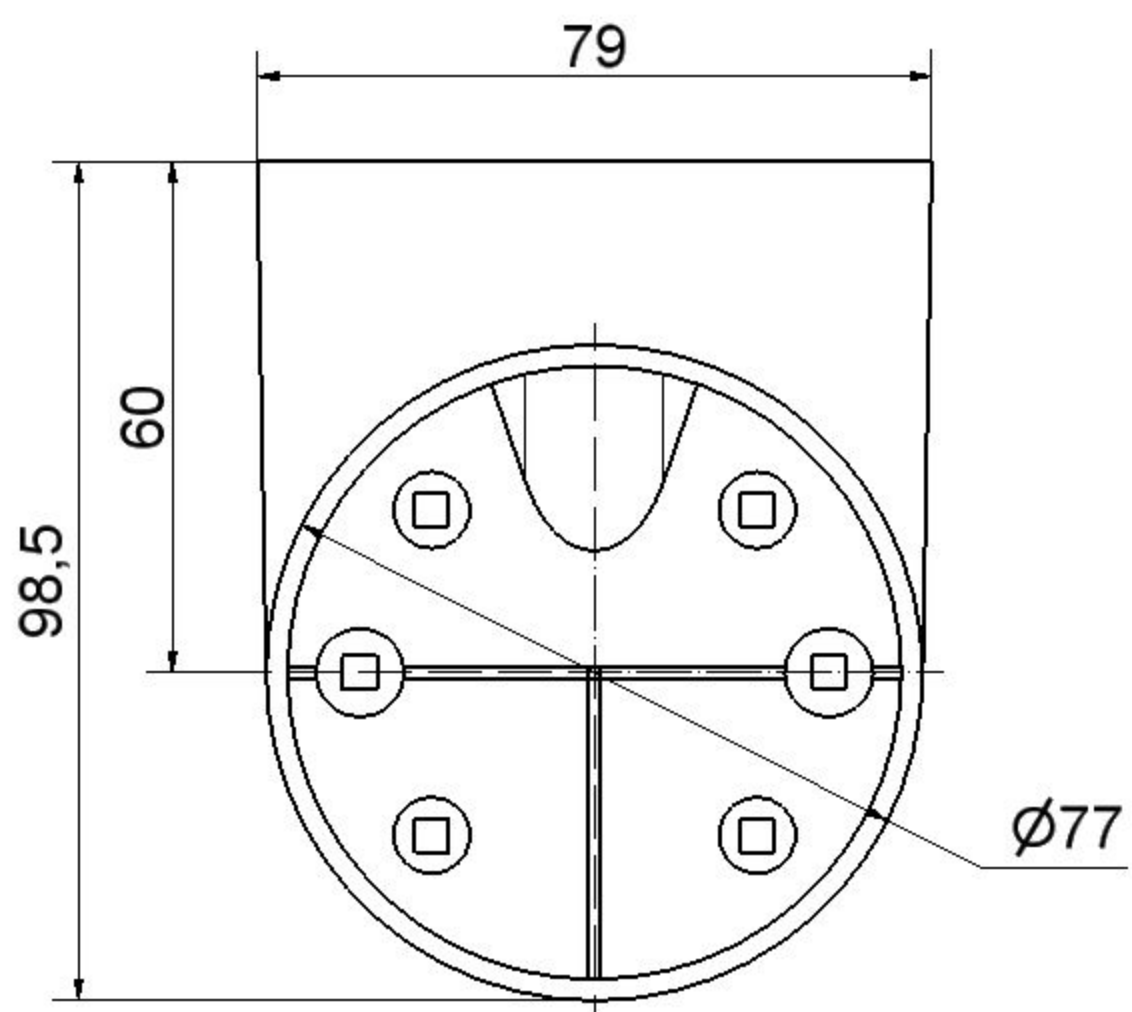
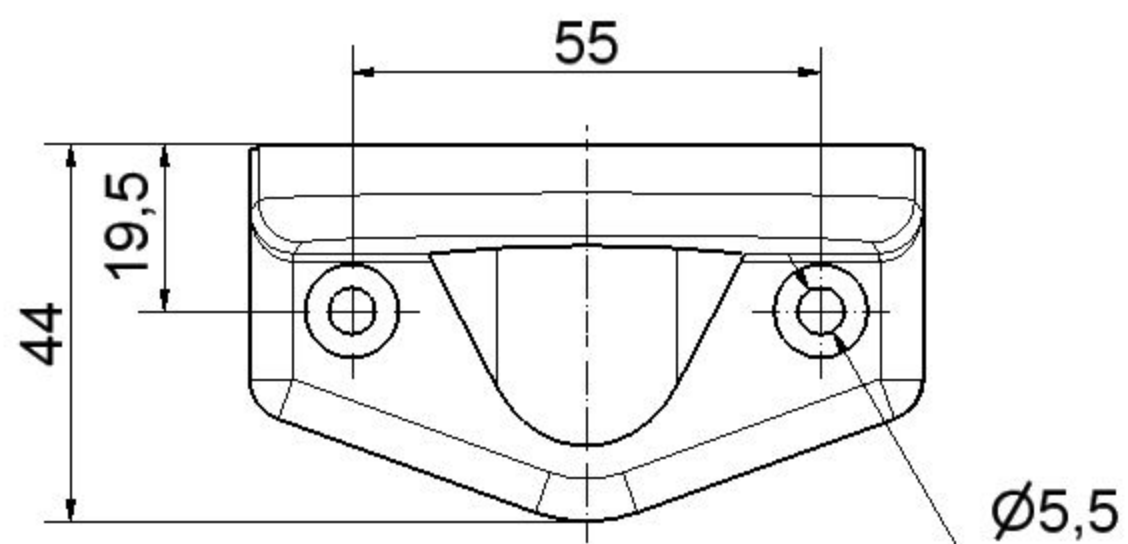
Height	44 mm
---------------	-------

Materials	PC/ABS
------------------	--------

Housing colour	Black
-----------------------	-------

Total weight	62 g
---------------------	------

Net weight in g	62 g
------------------------	------



975.826.05