







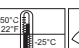
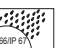
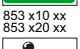
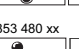

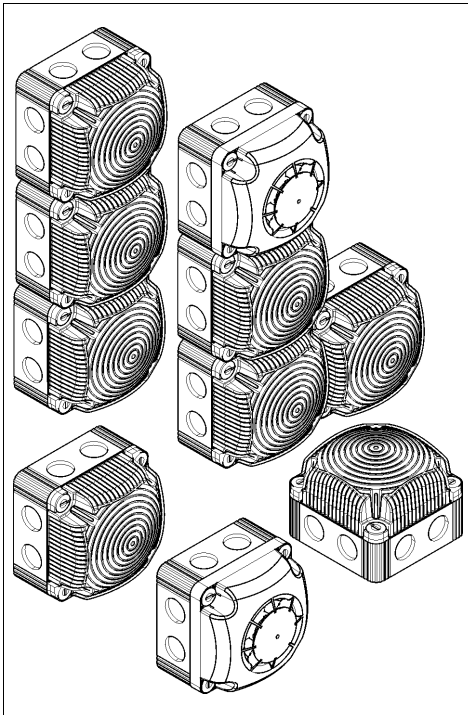
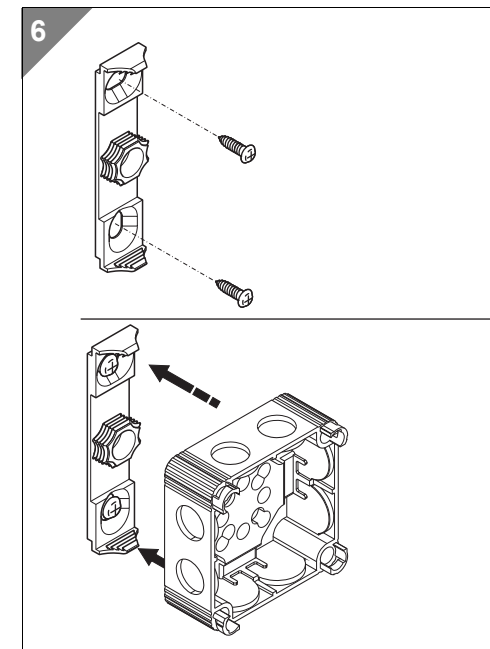
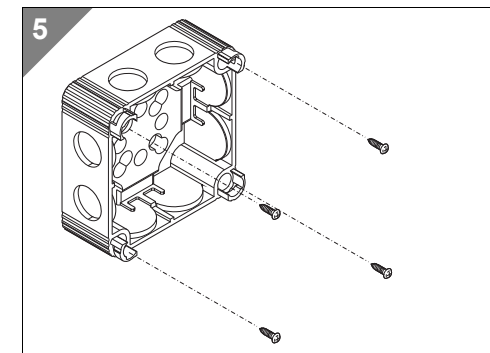
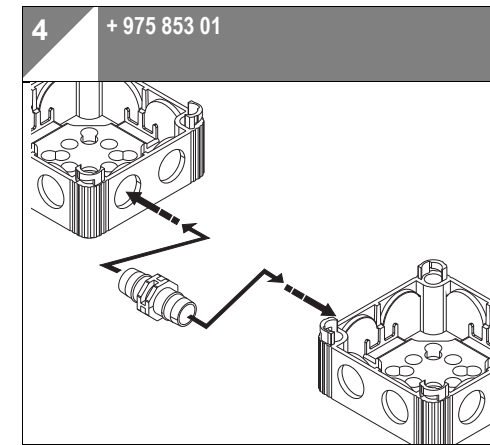
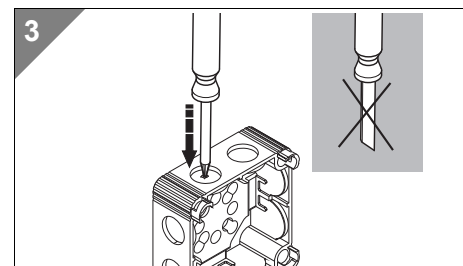
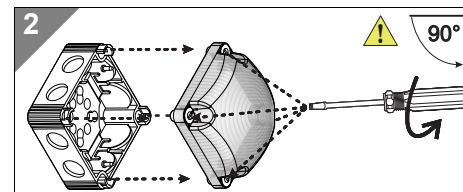
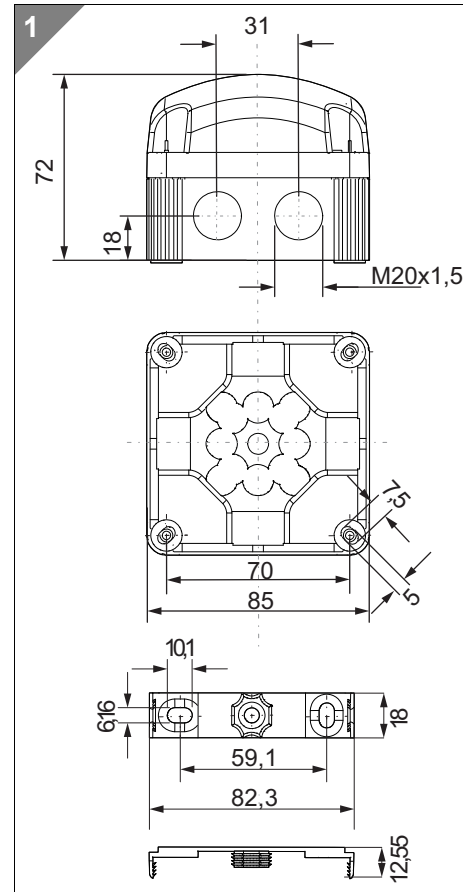
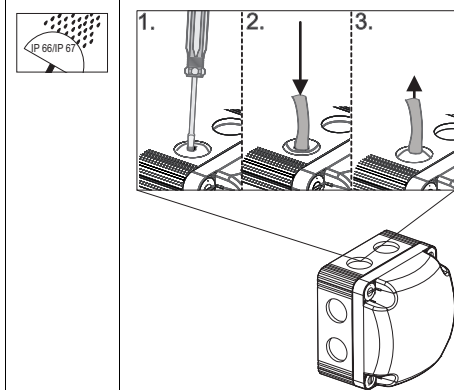
 153			
			
 853			
			

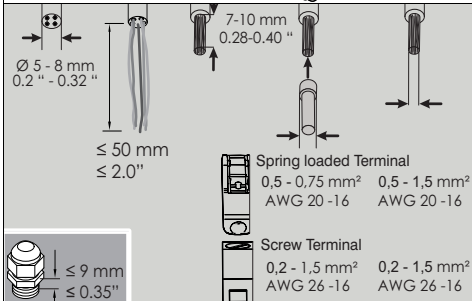
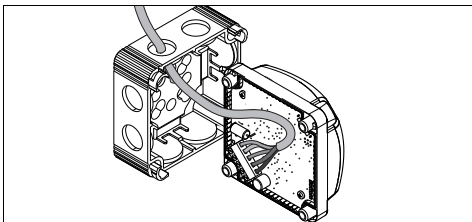


- (D)** Anschluss **ausschließlich** durch ausgebildete Elektro-Fachkräfte.
- (GB)** Electrical connection is to be made by trained electrical specialists **only**.
- (F)** Le branchement doit **uniquement** être effectué par des professionnels.
- (I)** Il collegamento deve essere eseguito **solo** da elettricisti specializzati.
- (E)** La conexión **sólo** debe ser realizada por electricistas debidamente formados.
- (PT)** A ligação deve ser feita **exclusivamente** por profissional elétrico especializado.
- (NL)** De aansluiting mag **enkel** gebeuren door erkende vakmensen.
- (CZ)** Připojení smí **provádět** pouze kvalifikovaný personál.
- (PL)** Podłączenie **wyłącznie** przez specjalistów-elektryków.
- (FI)** Liittäminen kuuluu **ainoastaan** koulutettujen sähköalan ammattilaisten tehtäviin.
- (RUS)** Подключение проводится только специалистом-электриком.
- (TR)** Bağlantı **sadece** eğitimli elektrik teknisyenleri tarafından yapılmalıdır.
- (CN)** 布线需由专业电工执行

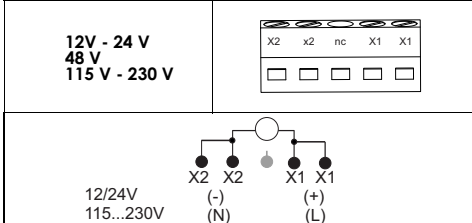


7a LED 853

⚠ DANGER



LED (853 x20 xx)



Leuchtbild, Light effect, Effet lumineux

Dauerleuchte/Permanent/Feu fixe	
853 x00 54	12 VDC, ≤ 180 mA, I ₀ < 1250 mA
853 x00 55	24 VDC, ≤ 80 mA, I ₀ < 500 mA
853 x00 66	48 VAC, ≤ 35 mA, I ₀ < 200 mA
853 x00 60	115-230VAC, ≤ 40 mA, I ₀ < 7 A
Doppelblitz/Double Flash/Double Flash	
853 x10 54	12 VDC, ≤ 100 mA, I ₀ < 1250 mA
853 x10 55	24 VDC, ≤ 80 mA, I ₀ < 500 mA
853 x10 66	48 VAC, ≤ 90 mA, I ₀ < 2 A
853 x10 60	115-230 VAC, ≤ 180 mA, I ₀ < 7 A
EVS	
853 x20 54	12 VDC, ≤ 400 mA, I ₀ < 1250 mA
853 x20 55	24 VDC, ≤ 200 mA, I ₀ < 500 mA
853 x20 66	48 VAC, ≤ 95 mA, I ₀ < 2 A
853 x20 60	115-230 VAC, ≤ 180 mA, I ₀ < 7 A

LED-Multicolour (853 480 55)

24V		
Colour	Technical Data	
RD	Com X2 X3 X4 X5 - +24V	80mA/ ~1,9 W
GN	Com X2 X3 X4 X5 - +24V	70 mA/ ~1,7W
YE	Com X2 X3 X4 X5 +24V +24V	115mA/ ~ 2,7 W
WH	Com X2 X3 X4 X5 +24V +24V +24V	130mA/ ~ 3,4W
BU	Com X2 X3 X4 X5 +24V	70mA/ ~ 1,7 W
VIO	Com X2 X3 X4 X5 +24V +24V	125mA/ ~ 3W
CYN	Com X2 X3 X4 X5 +24V +24V	120mA/ ~ 2,9W

LED-RGY (853 480 60)

230V				
Colour	115 V	230 V		
	50 Hz	60 Hz 50 Hz		
RD	Com X2 X3 X4 X5 (L)	14mA/ 0,55W	17mA/ 0,55W	22mA/ 1,15W
YE	Com X2 X3 X4 X5 (N)	20mA/ 0,94W	24mA/ 0,94	35mA/ 2W
GN	Com X2 X3 X4 X5 (L)	14mA/ 0,65W	17mA/ 0,65W	23mA/ 1,4W

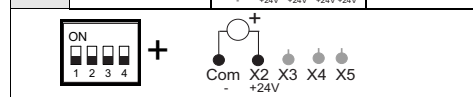
7b Sounder 153

⚠ WARNING

Sounder 153 000 54
153 000 55

12V 24V	
153 000 54	12VDC, ≤ 70 mA, I ₀ < 500 mA
153 000 55	24VDC, ≤ 120 mA, I ₀ < 500 mA

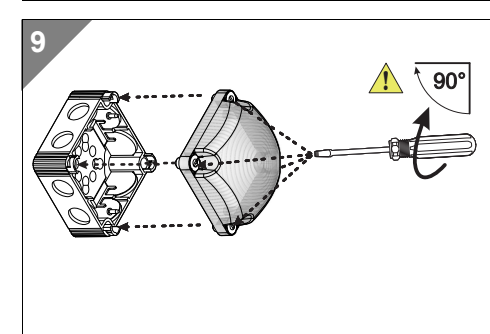
Tone	Tone Type	Frequencies
1	Dauerton Continuous continu	~ 3000 Hz
5	ansteigend rising montant	~ 800- 970Hz @ 1Hz
6	ansteigend rising montant	~2400-2850 Hz @ 7 Hz
7	abfallend falling incline	1200-500 Hz @ 1 Hz
8	Volume max. = off Volume - 10 dB = on	



Tone	Code	Tone Type	Frequencies
1	000x	Dauerton Continuous continu	~ 3000 Hz
2	001x	Hupenton horn tone trompe	~ 110 Hz
3	010x	1Hz Ton 1Hz tone 1Hz ton	~ 3000 Hz
4	011x	20 Hz Trillerton 20 Hz whistle tone 20 Hz trille	~ 3000 Hz
5	100x	ansteigend rising montant	~ 800- 970Hz @ 2Hz
6	101x	ansteigend rising montant	~2400-2850 Hz @ 7 Hz
7	110x	abfallend falling incline	1200-500 Hz @ 0,7 Hz
8	111x	alternierend alternat alternant	800/1200 Hz @ 1 Hz
9	xxx1	Volume max. = off Volume - 10 dB = on	

Sounder 153 000 60
153 000 66

48V 115...230V		
153 000 60	115-230VAC, ≤ 150mA, I ₀ < 7A	
153 000 66	48VAC, ≤ 150 mA, I ₀ < 2A	
Tone	Tone Type	Frequencies
1	Dauerton Continuous continu	~ 3000 Hz
8	Volume max. = off Volume - 10 dB = on	



310.853.001.0516AK