

# Contact insert - HC-K 4/0-ESTS - 1679414

Please be informed that the data shown in this PDF Document is generated from our Online Catalog. Please find the complete data in the user's documentation. Our General Terms of Use for Downloads are valid (<http://download.phoenixcontact.com>)



HEAVYCON plug insert, K4/0 series, 4-pos., screw connection without wire protection

## Key commercial data

package_quantity	1
GTIN	4017918168858

## Technical data

### General

Note	For HEAVYCON-ADVANCE housings of B16 type and HEAVYCON housings of B16 and B32 types
Connection method	Screw connection (power contacts)
Tightening torque	3 Nm (4.0 mm <sup>2</sup> ... 16 mm <sup>2</sup> )
Tightening torque	2 Nm (2.5 mm <sup>2</sup> )
Tightening torque	1.2 Nm (1.5 mm <sup>2</sup> )
Pollution degree	3
Surge voltage category	III
Number of positions	4+PE
No. of power contacts	4
Insertion/withdrawal cycles	≥ 500
Design	B16
Conductor cross section	1.5 mm <sup>2</sup> ... 16 mm <sup>2</sup>
Connection cross section AWG	16 ... 6
Stripping length of the individual wire	14 mm
Assembly instructions	Plug-in connections may only be operated only when there is no load/voltage.
Connection	Use wire end protection (screw connections do not have wire protection)

### Ambient conditions

Ambient temperature (operation)	-40 °C ... 125 °C
---------------------------------	-------------------

### Material data

Inflammability class according to UL 94	V0
Contact material	Cu alloy
Contact surface material	Ag

# Contact insert - HC-K 4/0-ESTS - 1679414

## Technical data

### Material data

Material of contact surface, power contact	Ag
Contact carrier material	PC

### Electrical characteristics

Rated voltage (III/3)	830 V (power contacts)
Rated surge voltage	8 kV (power contacts)
Rated current	80 A (power contacts)

## classifications

### eCl@ss

eCl@ss 4.0	27140816
eCl@ss 4.1	27140816
eCl@ss 5.0	27143424
eCl@ss 5.1	27143424
eCl@ss 6.0	27143424
eCl@ss 7.0	27440209
eCl@ss 8.0	27440209

### ETIM

ETIM 2.0	EC000438
ETIM 3.0	EC000438
ETIM 4.0	EC000438
ETIM 5.0	EC000438


### UNSPSC

UNSPSC 6.01	30211923
UNSPSC 7.0901	39121522
UNSPSC 11	39121522
UNSPSC 12.01	39121522
UNSPSC 13.2	39121522

## approvals

CSA / UL Recognized / GOST /

### Approval details

	
Nominal voltage UN	600 V

# Contact insert - HC-K 4/0-ESTS - 1679414

## approvals

Nominal current I <sub>N</sub>	80 A
mm <sup>2</sup> /AWG/kcmil	5

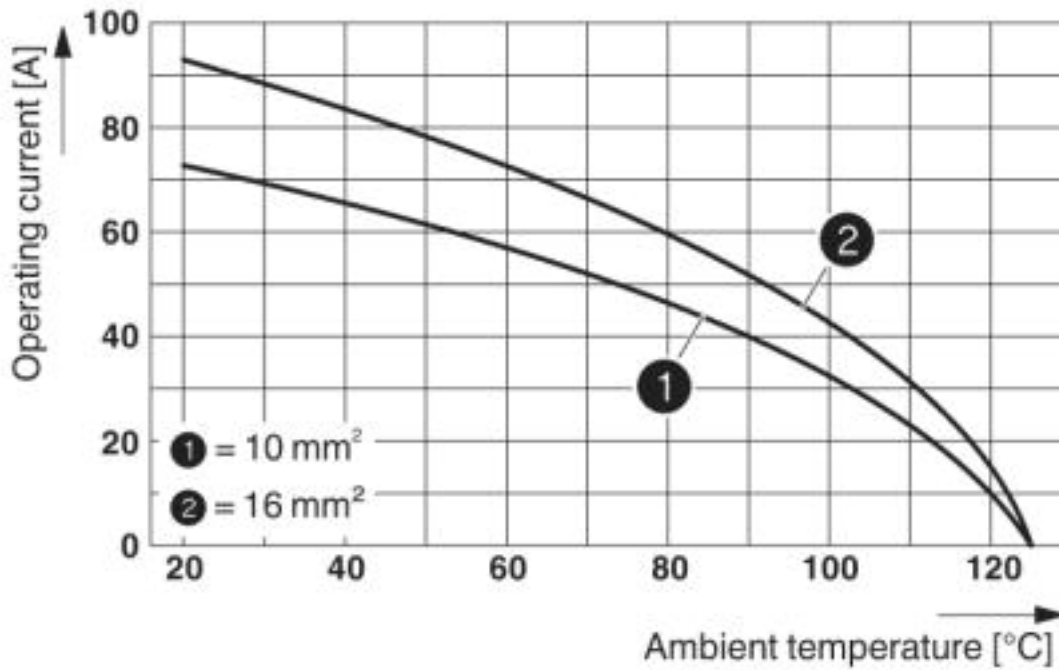
**UL Recognized**

Nominal voltage U <sub>N</sub>	600 V
Nominal current I <sub>N</sub>	
mm <sup>2</sup> /AWG/kcmil	

**GOST**

## Drawings

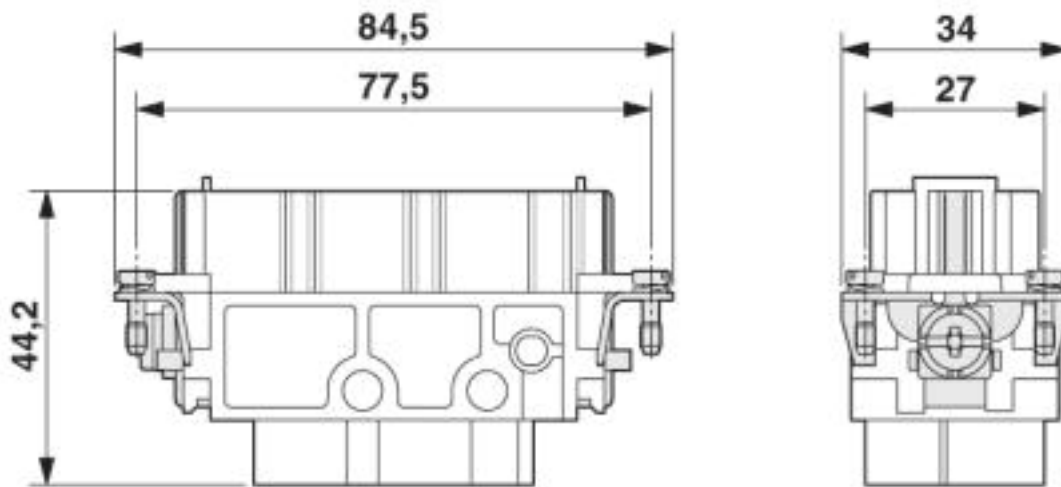
### Diagram



Derating diagram

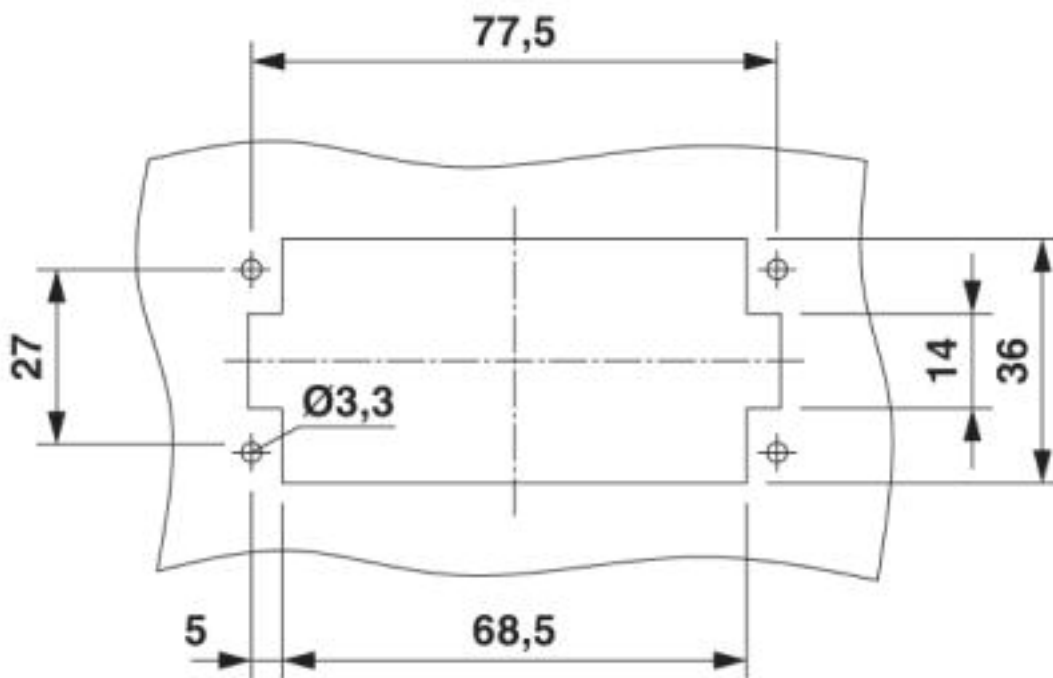
# Contact insert - HC-K 4/0-ESTS - 1679414

Dimensioned drawing



Male insert

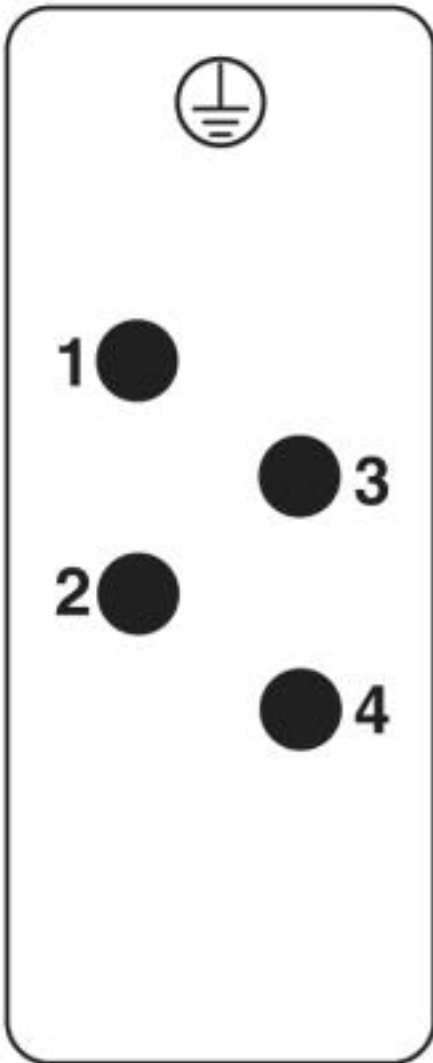
Dimensioned drawing



Panel cutout

## Contact insert - HC-K 4/0-ESTS - 1679414

Schematic diagram



Connector pin assignment, connection side

© Phoenix Contact 2013 - all rights reserved  
<http://www.phoenixcontact.com>