

Flush-type connector - SACC-E-FSB-5CON-M16/0,5 SCO - 1520000

Please be informed that the data shown in this PDF Document is generated from our Online Catalog. Please find the complete data in the user's documentation. Our General Terms of Use for Downloads are valid (<http://download.phoenixcontact.com>)



Fieldbus flush-type socket, INTERBUS/PROFIBUS, 5-pos., M12 SPEEDCON, B-coded, front/screw mounting with M16 thread, with 0.5 m TPE litz wire, 5x0.25 mm²



Key commercial data

package_quantity	1
GTIN	4046356020091

Technical data

Dimensions

Length of cable	0.5 m
-----------------	-------

Ambient conditions

Ambient temperature (operation)	-25 °C ... 85 °C (Plug / socket)
Degree of protection	IP67

General

Rated current at 40°C	4 A
Rated voltage	60 V
Number of positions	5
Contact resistance	≤ 3 mΩ
Insulation resistance	≥ 100 MΩ
Coding	B - inverse
Standards/regulations	M12 connector IEC 61076-2-101
Status display	No
Surge voltage category	II
Pollution degree	3
Connection method	Individual wires
Mounting type	Front mounting M16 x 1.5

Material

Inflammability class according to UL 94	V0
Contact material	CuZn

Flush-type connector - SACC-E-FSB-5CON-M16/0,5 SCO - 1520000

Technical data

Material

Contact surface material	Ni/Au
Contact carrier material	PA 66
Material, knurls	Zinc die-cast, nickel-plated
Sealing material	NBR

Cable

Cable type	TPE litz wire
Conductor cross section	0.34 mm ²
AWG signal line	22
Conductor structure signal line	7x 0.25 mm
Core diameter including insulation	1.2 mm ±0.07 mm
Thickness, insulation	0.21 mm
Wire colors	Black, brown, blue, white, gray
Material conductor insulation	TPE
Conductor material	Tin-plated Cu litz wires
Insulation resistance	≥ 20 MΩ*km
Conductor resistance	≤ 57.6 mΩ/m
Nominal voltage, cable	300 V
Test voltage, cable	2000 V AC
Ambient temperature (operation)	-25 °C ... 90 °C (cable, fixed installation)

classifications

eCl@ss

eCl@ss 4.0	27140815
eCl@ss 4.1	27140815
eCl@ss 5.0	27143423
eCl@ss 5.1	27143423
eCl@ss 6.0	27143423
eCl@ss 7.0	27449001
eCl@ss 8.0	27449001

ETIM

ETIM 2.0	EC001297
ETIM 3.0	EC002061
ETIM 4.0	EC002061
ETIM 5.0	EC002061

UNSPSC

UNSPSC 6.01	31251501
UNSPSC 7.0901	31251501
UNSPSC 11	31251501

Flush-type connector - SACC-E-FSB-5CON-M16/0,5 SCO - 1520000

classifications

UNSPSC

UNSPSC 12.01	31251501
UNSPSC 13.2	31251501

approvals

UL Recognized / GOST / GOST /

Approval details

UL Recognized	
Nominal voltage UN	
60 V	
Nominal current IN	
4 A	
mm ² /AWG/kcmil	
26-20	

GOST	
------	--

--	--

accessories

Flat nut

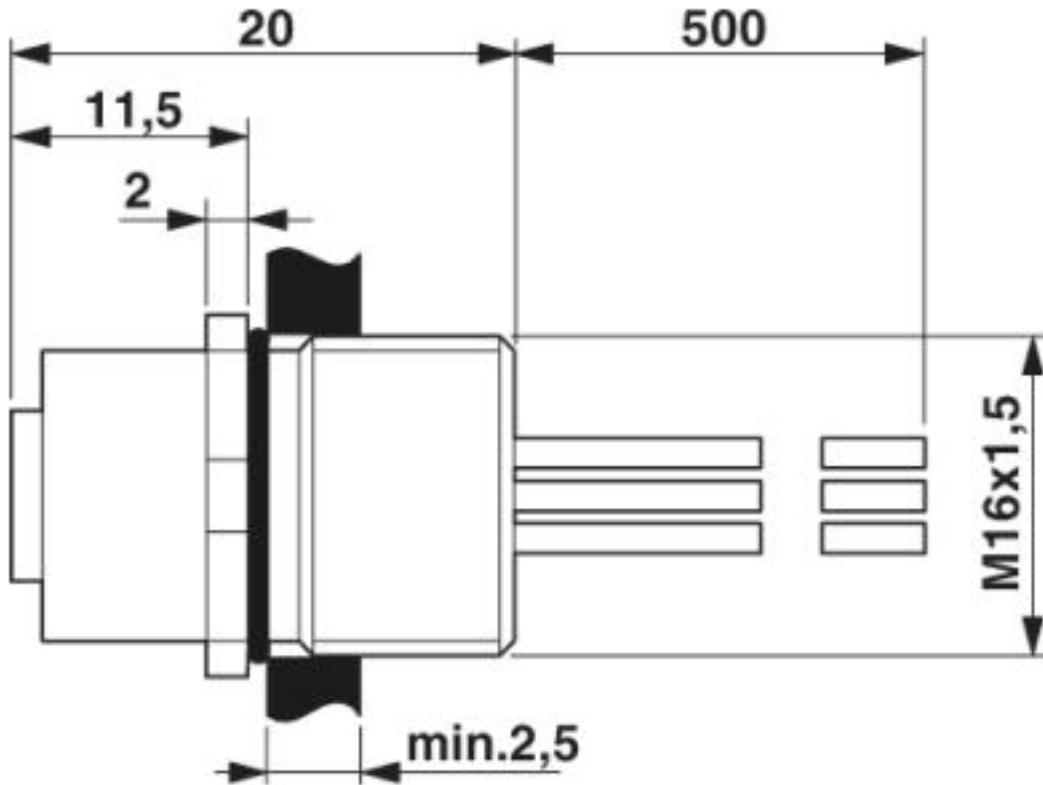
SACC-E-MU-M16 - 1504097



Drawings

Flush-type connector - SACC-E-FSB-5CON-M16/0,5 SCO - 1520000

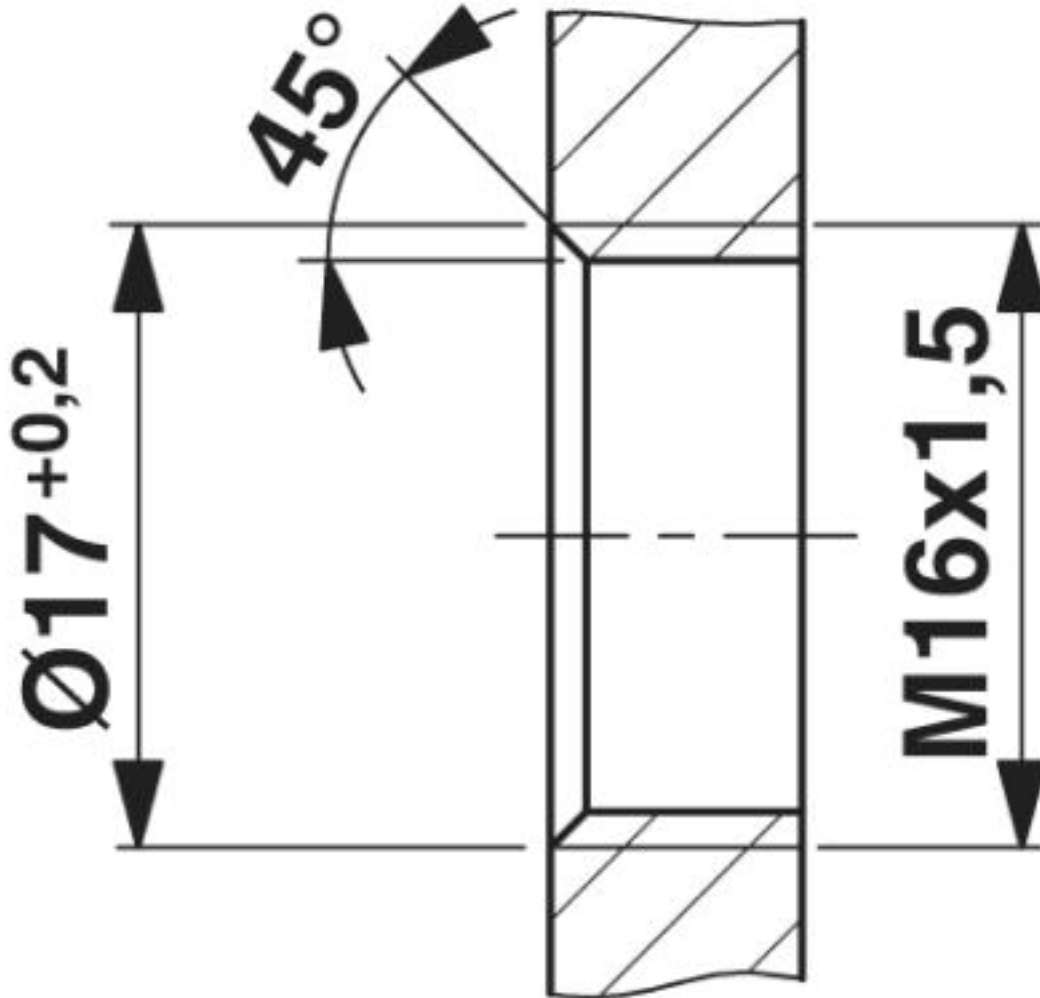
Dimensioned drawing



M12 flush-type connector

Flush-type connector - SACC-E-FSB-5CON-M16/0,5 SCO - 1520000

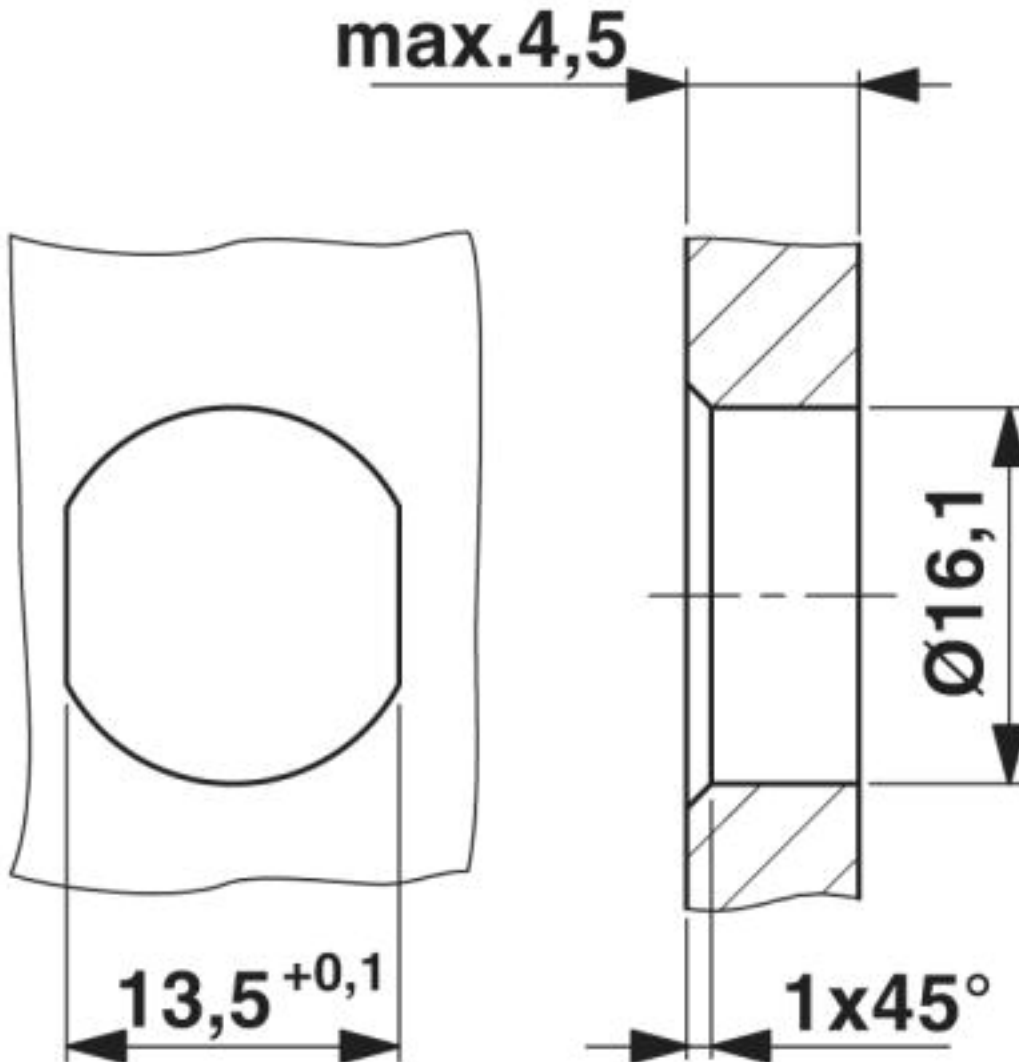
Dimensioned drawing



Housing cutout for M16 fastening thread, mounting panel with thread

Flush-type connector - SACC-E-FSB-5CON-M16/0,5 SCO - 1520000

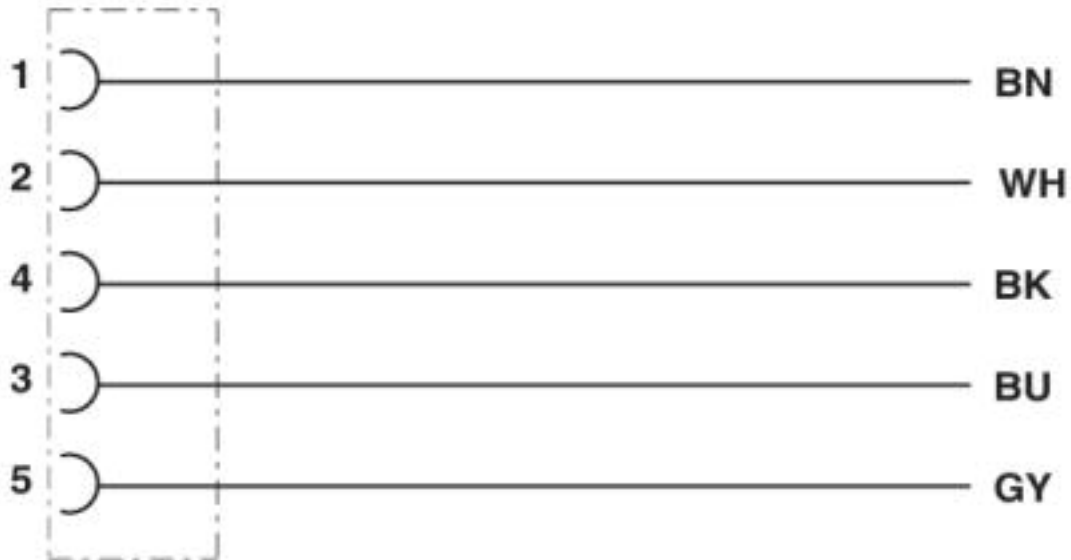
Dimensioned drawing



Housing cutout for M16 fastening thread, mounting panel with feed-through hole (alternatively with surface as protection against rotation)

Flush-type connector - SACC-E-FSB-5CON-M16/0,5 SCO - 1520000

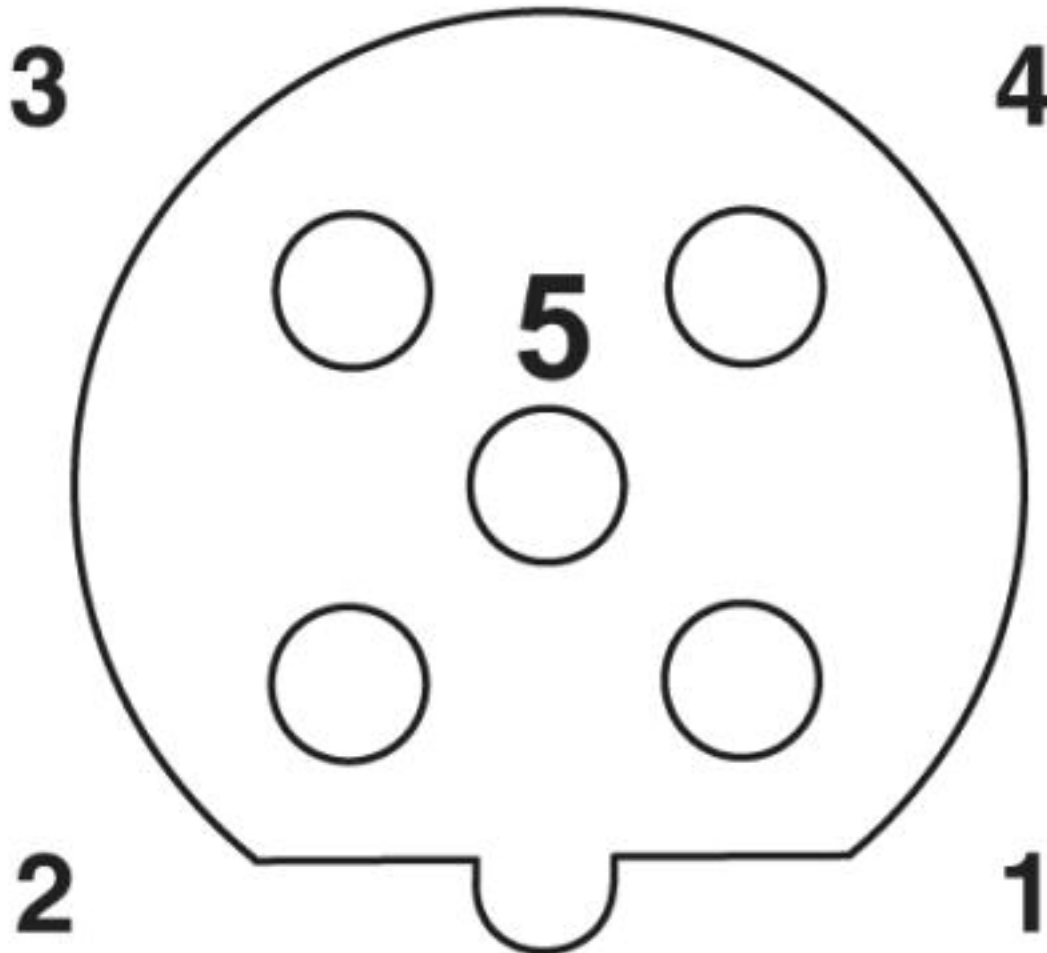
Circuit diagram



Contact assignment of the M12 plug and the M12 socket

Flush-type connector - SACC-E-FSB-5CON-M16/0,5 SCO - 1520000

Schematic diagram



Pin assignment M12 socket, 5-pos., B-coded, female side

© Phoenix Contact 2013 - all rights reserved
<http://www.phoenixcontact.com>