

Terminal adapter - HC-B 16-A-UT-PEL-M - 1648048

Please be informed that the data shown in this PDF Document is generated from our Online Catalog. Please find the complete data in the user's documentation. Our General Terms of Use for Downloads are valid (<http://download.phoenixcontact.com>)



HEAVYCON terminal adapter, pin insert, B16 series, 16-pos., for the left control cabinet panel, screw connection

Key commercial data

| | |
|-------------------------|---------------|
| package_quantity | 5 |
| GTIN | 4017918969660 |

Technical data

Dimensions

| | |
|--|---------|
| Drill hole distance, horizontal | 77.5 mm |
| Height | 71.6 mm |

Ambient conditions

| | |
|--|-------------------|
| Ambient temperature (operation) | -40 °C ... 125 °C |
|--|-------------------|

Electrical characteristics

| | |
|---|---|
| Note | For HEAVYCON ADVANCE panel mounting flange and HEAVYCON panel mounting base of type B16. Plug-in connections may only be operated only when there is no load/voltage. |
| Number of positions | 16 |
| Connection in acc. with standard | IEC / EN |
| Rated voltage (III/3) | 500 V |
| Rated surge voltage | 6 kV |
| Rated current | 16 A |

Mechanical characteristics

| | |
|--|---|
| Design | B16 |
| Screw thread | M3 |
| Connection method | Screw connection |
| Tightening torque | 0.5 Nm ... 0.8 Nm |
| Stripping length of the individual wire | 12 mm |
| Conductor cross section | 0.5 mm ² ... 2.5 mm ² |
| Connection cross section AWG | 20 ... 14 |

General

| | |
|-------------------------|--------------|
| Contact material | Copper alloy |
|-------------------------|--------------|

Terminal adapter - HC-B 16-A-UT-PEL-M - 1648048

Technical data

General

| | |
|--|--|
| Contact surface material | Ag |
| Contact carrier material | PA |
| Pollution degree | 3 |
| Surge voltage category | III |
| Inflammability class according to UL 94 | V0 |
| Connection in acc. with standard | IEC / EN |
| Assembly instructions | Coding also using the CP-HC (1686478) coding profiles. HC-B6../HC-B10..for two coding profiles. HC-B16../HC-B24..for four coding profiles. |
| Installation instructions | Connectors may only be actuated when there is no load/voltage. |

classifications

eCl@ss

| | |
|-------------------|----------|
| eCl@ss 4.0 | 27140816 |
| eCl@ss 4.1 | 27140816 |
| eCl@ss 5.0 | 27143424 |
| eCl@ss 5.1 | 27143424 |
| eCl@ss 6.0 | 27143424 |
| eCl@ss 7.0 | 27440205 |
| eCl@ss 8.0 | 27440205 |

ETIM

| | |
|-----------------|----------|
| ETIM 3.0 | EC000438 |
| ETIM 4.0 | EC000438 |
| ETIM 5.0 | EC000438 |

UNSPSC

| | |
|----------------------|----------|
| UNSPSC 6.01 | 30211923 |
| UNSPSC 7.0901 | 39121522 |
| UNSPSC 11 | 39121522 |
| UNSPSC 12.01 | 39121522 |
| UNSPSC 13.2 | 39121522 |

approvals

CSA / UL Recognized / cUL Recognized / cULus Recognized /

Approval details

| |
|---|
|  |
|---|

Terminal adapter - HC-B 16-A-UT-PEL-M - 1648048

approvals

| | |
|----------------------------|-------|
| | |
| Nominal voltage UN | 600 V |
| Nominal current IN | 13 A |
| mm ² /AWG/kcmil | 22-14 |

| | |
|----------------------------|-------|
| UL Recognized | |
| | |
| Nominal voltage UN | 600 V |
| Nominal current IN | 13 A |
| mm ² /AWG/kcmil | 22-14 |

| | |
|----------------------------|-------|
| cUL Recognized | |
| | |
| Nominal voltage UN | 600 V |
| Nominal current IN | 13 A |
| mm ² /AWG/kcmil | 22-14 |

| | |
|-------------------------|--|
| cULus Recognized | |
|-------------------------|--|

accessories

Mounting material

HC-KA-FE - 1775240



HC-VSH - 1660083



Terminal adapter - HC-B 16-A-UT-PEL-M - 1648048

accessories

HC-B-PES - 1604997



HC-B-3PE - 1644326



Coding element

CP-HC - 1686478



HC-CST - 1676857



HC-CBU - 1676860



Terminal adapter - HC-B 16-A-UT-PEL-M - 1648048

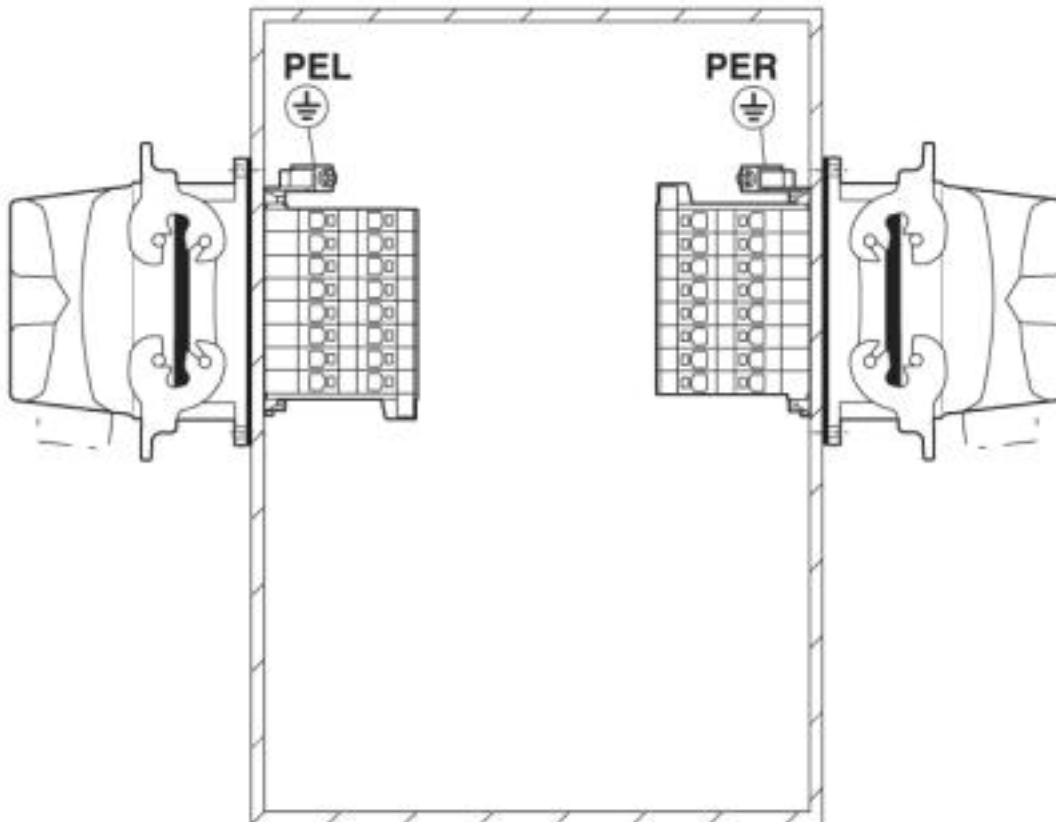
accessories

HC-CB - 1772722



Drawings

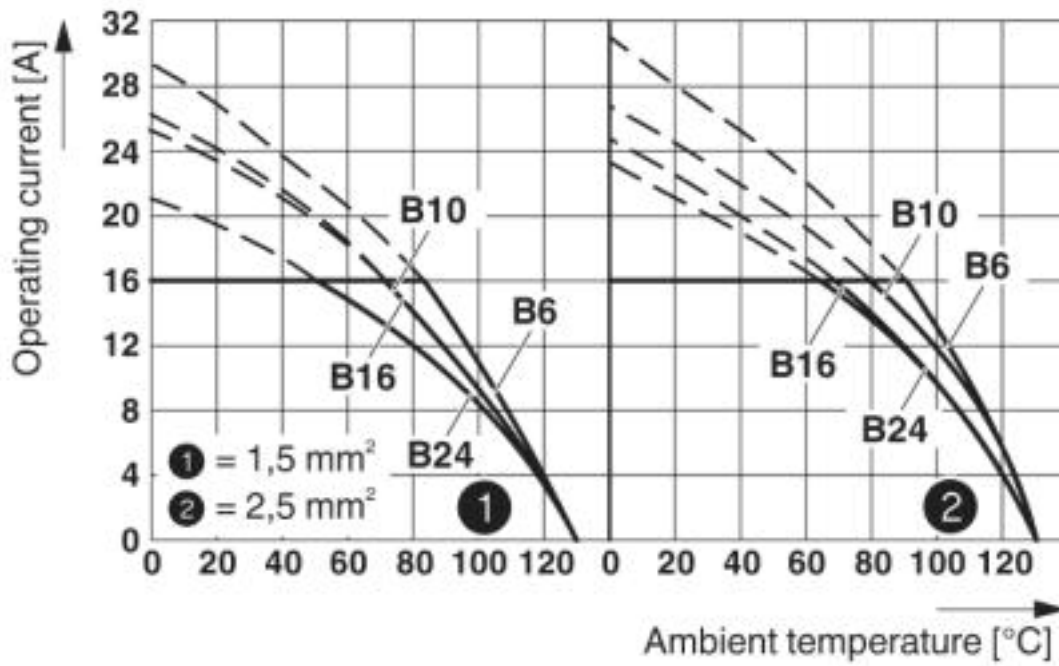
Application drawing



Mounting position PE connection left/right (PEL/PER)

Terminal adapter - HC-B 16-A-UT-PEL-M - 1648048

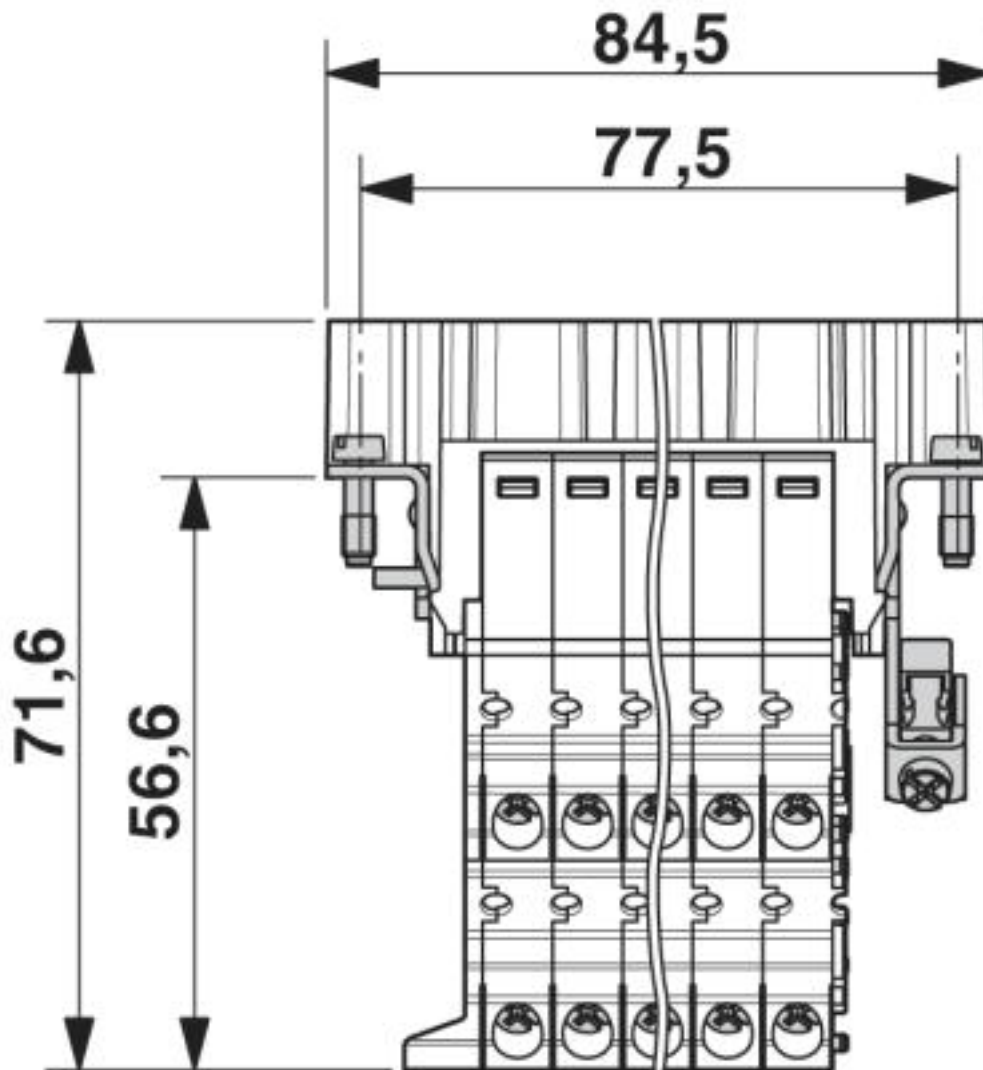
Diagram



Derating diagram

Terminal adapter - HC-B 16-A-UT-PEL-M - 1648048

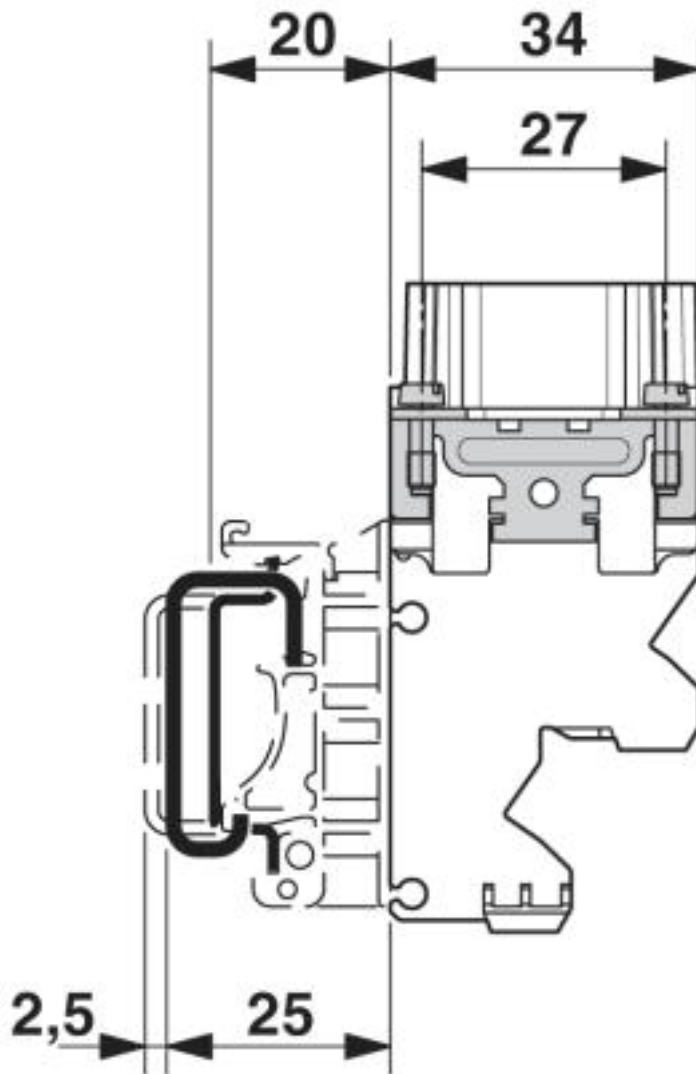
Dimensioned drawing



Connection side

Terminal adapter - HC-B 16-A-UT-PEL-M - 1648048

Dimensioned drawing



Side view

© Phoenix Contact 2013 - all rights reserved
<http://www.phoenixcontact.com>