

# Connector - SACC-M12MS-4SC - 1513211

Please be informed that the data shown in this PDF Document is generated from our Online Catalog. Please find the complete data in the user's documentation. Our General Terms of Use for Downloads are valid (<http://download.phoenixcontact.com>)



Connector, 4-position, Plug straight M12, A-coded, Spring-cage conn., Knurl material: Plastic, External cable diameter 4 mm ... 8 mm

## Product Features

- Safe use in the field, thanks to a high degree of protection
- Flexible: connectors for on-site assembly
- Spring-cage connection: connect more securely, even in the case of shock and vibration, thanks to high contact forces

## Key commercial data

<b>package_quantity</b>	1
<b>GTIN</b>	4017918946586

## Technical data

### Dimensions

<b>External diameter</b>	4 mm ... 8 mm
<b>Stripping length of the sheath</b>	28 mm
<b>Stripping length of the individual wire</b>	10 mm

### Ambient conditions

<b>Ambient temperature (operation)</b>	-40 °C ... 85 °C (Plug / socket)
<b>Degree of protection</b>	IP65

### General

<b>Rated current at 40°C</b>	4 A
<b>Rated voltage</b>	250 V
<b>Number of positions</b>	4
<b>Contact resistance</b>	≤ 8 mΩ
<b>Insulation resistance</b>	≥ 100 MΩ
<b>Coding</b>	A - standard
<b>Standards/regulations</b>	M12 connector IEC 61076-2-101
<b>Status display</b>	No
<b>Surge voltage category</b>	II
<b>Pollution degree</b>	3
<b>Connection method</b>	Spring-cage conn.
<b>Conductor cross section</b>	0.14 mm <sup>2</sup> ... 0.5 mm <sup>2</sup>
<b>AWG conductor cross section</b>	26 ... 20

# Connector - SACC-M12MS-4SC - 1513211

## Technical data

### General

Insertion/withdrawal cycles	≥ 100
Torque	0.4 Nm (M12 knurl)
Torque	0.4 Nm (Connector with coupling sleeve)
Torque	1.5 Nm (Pressure nut with coupling sleeve)

### Material

Inflammability class according to UL 94	V0
Contact material	CuSn
Contact surface material	Ni/Au
Contact carrier material	PA 66
Material of grip body	PA 66
Material, knurls	Plastic
Sealing material	Neoprene

## classifications

### eCl@ss

eCl@ss 4.0	27140815
eCl@ss 4.1	27140815
eCl@ss 5.0	27260701
eCl@ss 5.1	27260701
eCl@ss 6.0	27279221
eCl@ss 7.0	27440104
eCl@ss 8.0	27440104

### ETIM

ETIM 2.0	EC001121
ETIM 3.0	EC002062
ETIM 4.0	EC002062
ETIM 5.0	EC002062

### UNSPSC

UNSPSC 6.01	31251501
UNSPSC 7.0901	31251501
UNSPSC 11	31251501
UNSPSC 12.01	31251501
UNSPSC 13.2	31251501

## approvals

---

UL Recognized / cUL Recognized / cULus Recognized /

---

### Approval details

# Connector - SACC-M12MS-4SC - 1513211

## approvals

<b>UL Recognized</b>	
Nominal voltage UN	300 V
Nominal current IN	4 A
mm <sup>2</sup> /AWG/kcmil	

<b>cUL Recognized</b>	
Nominal voltage UN	300 V
Nominal current IN	4 A
mm <sup>2</sup> /AWG/kcmil	

<b>cULus Recognized</b>	
-------------------------	--

## accessories

### Torque tool

TSD 04 SAC - 1208429



TSD-M 1,2NM - 1212224



### Screwdriver tools

## Connector - SACC-M12MS-4SC - 1513211

### accessories

SACC BIT M12-D20 - 1208445



---

TSD-M SAC-BIT ADAPTER - 1212600



### Protective cap

PROT-M12 FS-PA-CHAIN - 1430873



### Cable by the meter

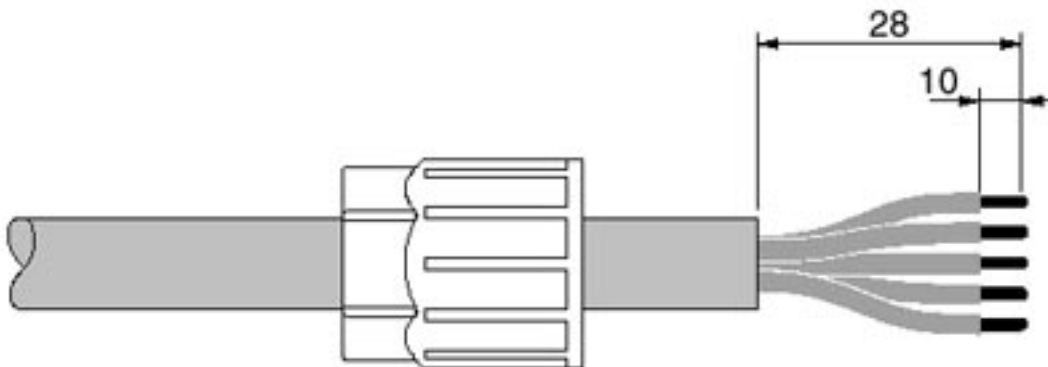
SAC-5P-100,0-PUR/0,34 - 1501676



### Drawings

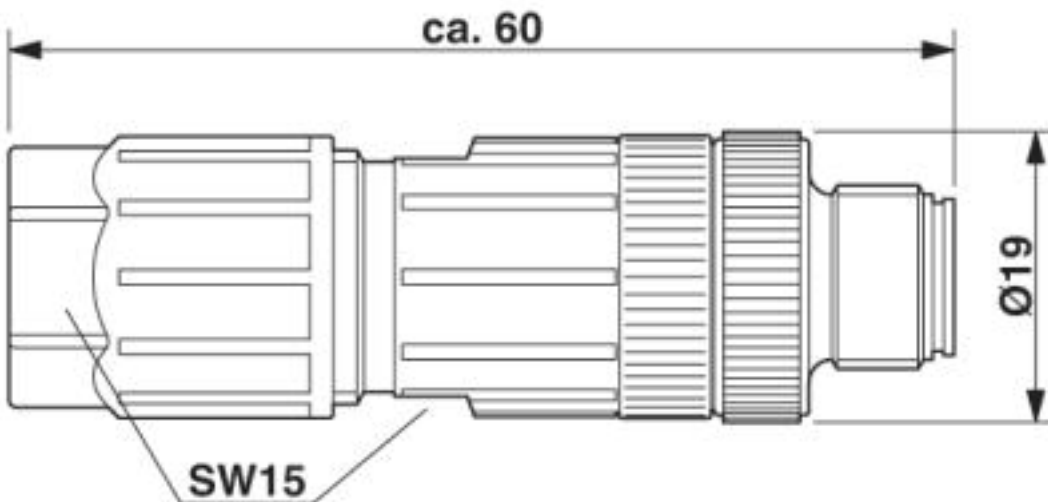
## Connector - SACC-M12MS-4SC - 1513211

Functional drawing



Strip 28 mm off the cable, 35 mm in the case of the angled version, strip single wires, push the pressure nut onto the cable. Slide the wires through the sleeve housing and connect, screw sleeve housing to the plug insert, screw the pressure nut tight.

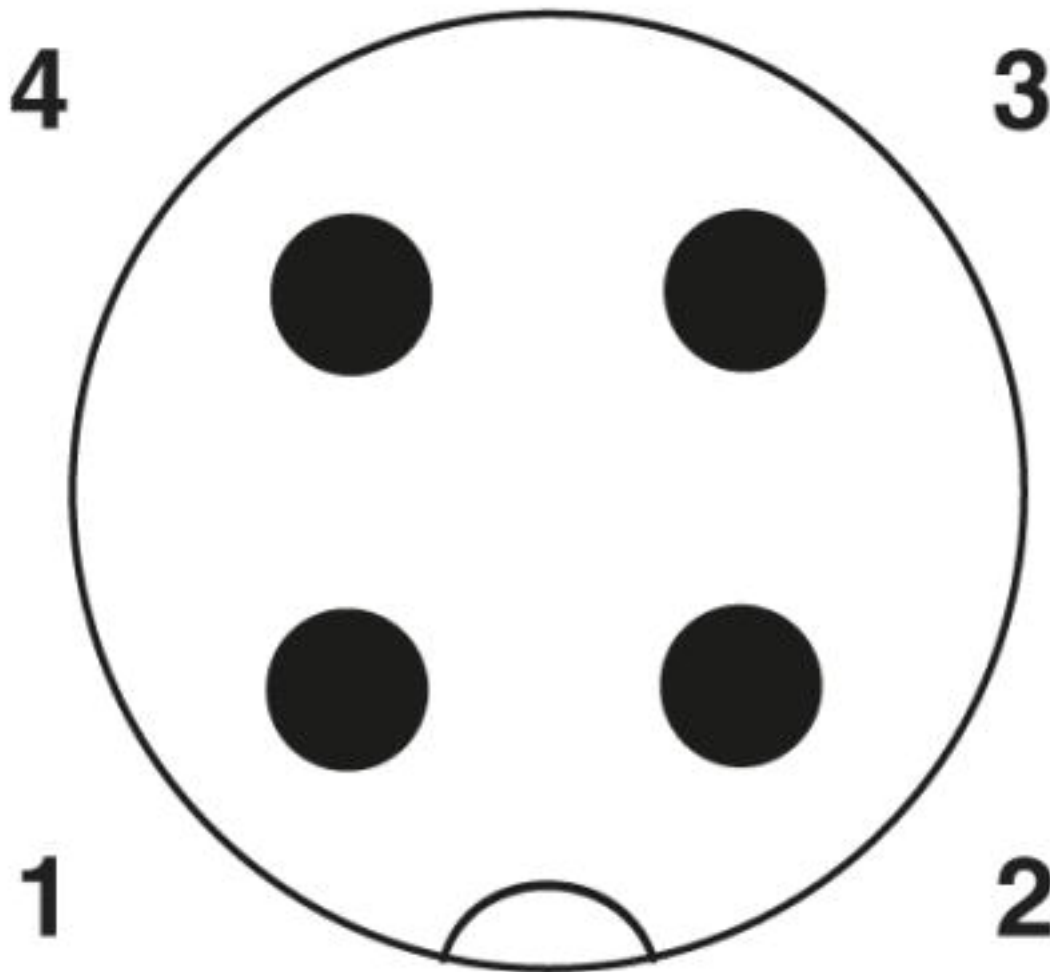
Dimensioned drawing



M12 x 1 plug, straight

## Connector - SACC-M12MS-4SC - 1513211

Schematic diagram



Pin assignment M12 plug, 4-pos., A-coded, view plug side

© Phoenix Contact 2013 - all rights reserved  
<http://www.phoenixcontact.com>