

Crimp contact - CK2,5-ED-0,5ST CUNI - 1585744

Please be informed that the data shown in this PDF Document is generated from our Online Catalog. Please find the complete data in the user's documentation. Our General Terms of Use for Downloads are valid (<http://download.phoenixcontact.com>)



Turned 2.5 crimp contact, individual CuNi male contact, core cross section 0.5 mm², uncoated

Key commercial data

package_quantity	25
GTIN	4046356308243

Technical data

Electrical characteristics

Note	For HC-M-06, HC-M-HV, HC-M-08, HC-A, HC-BB, HC-B and HC-HV contact inserts, the quality of a crimp connection is determined by the DIN EN 60 352-2
-------------	--

Ambient conditions

Ambient temperature (operation)	-40 °C ... 125 °C
--	-------------------

Mechanical characteristics

Conductor cross section	0.5 mm ²
Connection cross section AWG	20
Stripping length of the individual wire	7.5 mm (9.5 mm at HC-M-HV...)
Insertion/withdrawal cycles	≥ 500

General

Type	Individual male contact
Series	HC-M-06; HC-M-HV; HC-M-08; HC-A; HC-BB; HC-B; HC-HV

Material data

Contact material	Copper-nickel (constants)
-------------------------	---------------------------

classifications

eCl@ss

eCl@ss 4.0	272607xx
eCl@ss 4.1	27260701
eCl@ss 5.0	27143424
eCl@ss 5.1	27143424
eCl@ss 6.0	27143424

Crimp contact - CK2,5-ED-0,5ST CUNI - 1585744

classifications

eCl@ss

eCl@ss 7.0	27440209
eCl@ss 8.0	27440209

ETIM

ETIM 3.0	EC000796
ETIM 4.0	EC000796
ETIM 5.0	EC000796

UNSPSC

UNSPSC 6.01	30211923
UNSPSC 7.0901	39121522
UNSPSC 11	39121522
UNSPSC 12.01	39121522
UNSPSC 13.2	39121522

accessories

Assembly tool

CK1,6/2,5-MWZ - 1676734



VC-EW 1,6 - 1884869



Crimping tool

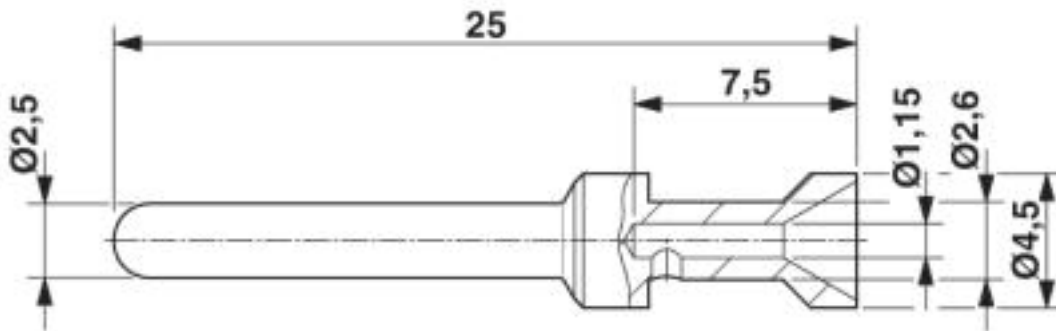
CRIMPFOX-1,6/2,5-ED-4,0 - 1687419



Drawings

Crimp contact - CK2,5-ED-0,5ST CUNI - 1585744

Dimensioned drawing



© Phoenix Contact 2013 - all rights reserved
<http://www.phoenixcontact.com>