

Reducing adapter - REDUC-M-KV-M40/M32 - 1647640

Please be informed that the data shown in this PDF Document is generated from our Online Catalog. Please find the complete data in the user's documentation. Our General Terms of Use for Downloads are valid (<http://download.phoenixcontact.com>)



Reducing adapter, M40 on M32, incl. O-ring

Key commercial data

package_quantity	10
GTIN	4017918941543

Technical data

Ambient conditions

Degree of protection	IP68 (Depends on the screw connection used)
Ambient temperature (operation)	-20 °C ... 80 °C

General

Material	Nickel-plated brass
Material, O-ring	NBR
Thread type on connection side	M32

classifications

eCl@ss

eCl@ss 4.0	27141209
eCl@ss 4.1	27141209
eCl@ss 5.0	27149109
eCl@ss 5.1	27149109
eCl@ss 6.0	27149109
eCl@ss 7.0	27149109
eCl@ss 8.0	27149109

ETIM

ETIM 2.0	EC000441
ETIM 3.0	EC000441
ETIM 4.0	EC000441
ETIM 5.0	EC000441

UNSPSC

UNSPSC 6.01	30211808
--------------------	----------

Reducing adapter - REDUC-M-KV-M40/M32 - 1647640

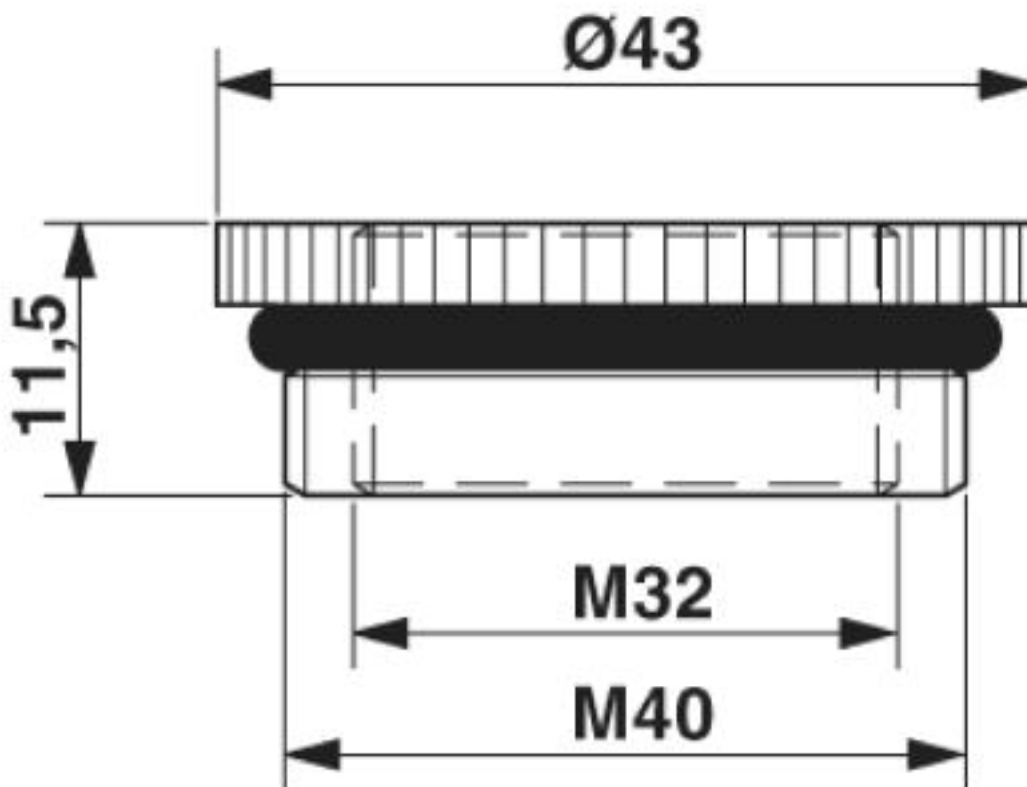
classifications

UNSPSC

UNSPSC 7.0901	39121408
UNSPSC 11	39121408
UNSPSC 12.01	39121408
UNSPSC 13.2	39121408

Drawings

Dimensioned drawing



Dimensional drawing

© Phoenix Contact 2013 - all rights reserved
<http://www.phoenixcontact.com>