

Crimp contact - CK4,0-ED-4,00ST AG - 1663255

Please be informed that the data shown in this PDF Document is generated from our Online Catalog. Please find the complete data in the user's documentation. Our General Terms of Use for Downloads are valid (<http://download.phoenixcontact.com>)



Turned 4.0 crimp contact, individual male contact, core diameter 4.00 mm², silver-plated

Key commercial data

package_quantity	25
GTIN	4017918123062

Technical data

Electrical characteristics

Note	For HC-M-3 modules
-------------	--------------------

Ambient conditions

Ambient temperature (operation)	-40 °C ... 125 °C
--	-------------------

Mechanical characteristics

Conductor cross section	4 mm ²
Connection cross section AWG	12
Stripping length of the individual wire	9.6 mm
Insertion/withdrawal cycles	≥ 500

General

Type	Individual male contact
Series	HC-M-03
Connection method	Crimp connection

Material data

Contact material	Copper alloy
Contact surface material	Silver-plated

classifications

eCl@ss

eCl@ss 4.0	27140816
eCl@ss 4.1	27140816
eCl@ss 5.0	27143424
eCl@ss 5.1	27143424

Crimp contact - CK4,0-ED-4,00ST AG - 1663255

classifications

eCl@ss

eCl@ss 6.0	27143424
eCl@ss 7.0	27440209
eCl@ss 8.0	27440209

ETIM

ETIM 2.0	EC000796
ETIM 3.0	EC000796
ETIM 4.0	EC000796
ETIM 5.0	EC000796

UNSPSC

UNSPSC 6.01	30211923
UNSPSC 7.0901	39121522
UNSPSC 11	39121522
UNSPSC 12.01	39121522
UNSPSC 13.2	39121522

approvals

UL Recognized / GOST /

Approval details



accessories

Assembly tool

CK4,0-EWZ - 1662735



Crimping tool

Crimp contact - CK4,0-ED-4,00ST AG - 1663255

accessories

CRIMPFOX-4,0-ED-6,00 - 1205859



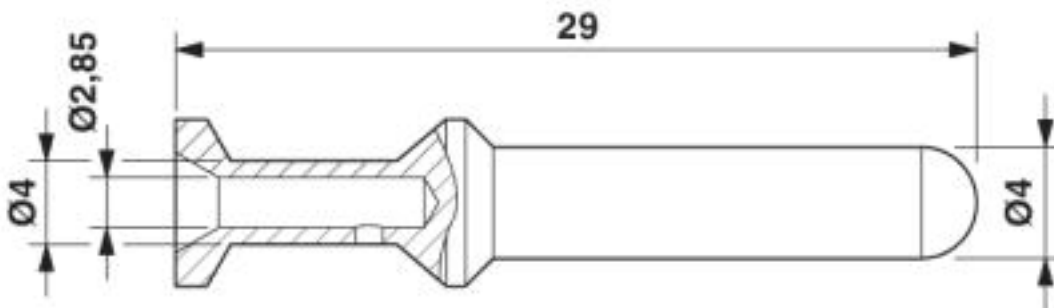
accessories

CRIMPFOX-4,0-ED-2,50 - 1205846



Drawings

Dimensioned drawing



© Phoenix Contact 2013 - all rights reserved
<http://www.phoenixcontact.com>