

# Sensor/Actuator cable - SAC-3P- 5,0-PVC/A-1L-Z - 1439502

Please be informed that the data shown in this PDF Document is generated from our Online Catalog. Please find the complete data in the user's documentation. Our General Terms of Use for Downloads are valid (<http://download.phoenixcontact.com>)



Sensor/Actuator cable, 3-position, PVC, Black RAL 9005, Free cable end, on Valve connector A, with 1 LED, connected with Z diode, Cable length: 5 m

## Key commercial data

package_quantity	1
GTIN	4046356489386

## Technical data

### Dimensions

Length of cable	5 m
Stripping length of the free conductor end	50 mm

### Ambient conditions

Ambient temperature (operation)	-20 °C ... 85 °C (valve plug)
Degree of protection	IP65
Degree of protection	IP67

### General

Rated current at 40°C	4 A
Rated voltage	24 V
Number of positions	3
Contact resistance	≤ 5 mΩ
Insulation resistance	≥ 100 MΩ
Status display	1 LED
Protective circuit/component	Z diode
Surge voltage category	III
Pollution degree	3

### Material

Inflammability class according to UL 94	V0
Valve plug contact material	CuSn
Valve plug contact surface material	Sn
Valve plug contact insert material	PA 66
Material housing valve plug	TPU
Sealing material	TPU (Seal molded)

# Sensor/Actuator cable - SAC-3P- 5,0-PVC/A-1L-Z - 1439502

## Technical data

### Cable

<b>Cable type</b>	PVC black
<b>Cable type (abbreviation)</b>	PVC
<b>Cable abbreviation</b>	LiYY
<b>UL AWM style</b>	2464
<b>Conductor cross section</b>	3x 0.5 mm <sup>2</sup>
<b>AWG signal line</b>	20
<b>Conductor structure signal line</b>	16x 0.20 mm
<b>Core diameter including insulation</b>	1.5 mm ±0.05 mm
<b>Wire colors</b>	black 1, black 2, green/yellow
<b>Overall twist</b>	3 wires, twisted
<b>External sheath, color</b>	Black RAL 9005
<b>External cable diameter D</b>	4.8 mm ± 0.2 mm
<b>Minimum bending radius, fixed installation</b>	5 x D
<b>Outer sheath, material</b>	PVC
<b>Material conductor insulation</b>	PVC
<b>Conductor material</b>	Bare Cu litz wires
<b>Insulation resistance</b>	≥ 20 MΩ*km
<b>Conductor resistance</b>	39 Ω/km (at 20 °C)
<b>Nominal voltage, cable</b>	300 V
<b>Test voltage, cable</b>	1200 V
<b>Flame resistance</b>	DIN VDE 0482
<b>Flame resistance</b>	DIN EN 50265-2-1
<b>Resistance to oil</b>	Almost oil-resistant
<b>Ambient temperature (operation)</b>	-40 °C ... 80 °C (cable, fixed installation)
<b>Ambient temperature (operation)</b>	-5 °C ... 80 °C (cable, flexible installation)

## classifications

### eCl@ss

<b>eCl@ss 4.0</b>	27060306
<b>eCl@ss 4.1</b>	27060306
<b>eCl@ss 5.0</b>	27061801
<b>eCl@ss 5.1</b>	27061801
<b>eCl@ss 6.0</b>	27061801
<b>eCl@ss 7.0</b>	27061801
<b>eCl@ss 8.0</b>	27061801

### ETIM

<b>ETIM 3.0</b>	EC001855
<b>ETIM 4.0</b>	EC001855
<b>ETIM 5.0</b>	EC001855

### UNSPSC

# Sensor/Actuator cable - SAC-3P- 5,0-PVC/A-1L-Z - 1439502

## classifications

### UNSPSC

UNSPSC 6.01	31251501
UNSPSC 7.0901	31251501
UNSPSC 11	31251501
UNSPSC 12.01	31251501
UNSPSC 13.2	31251501

## accessories

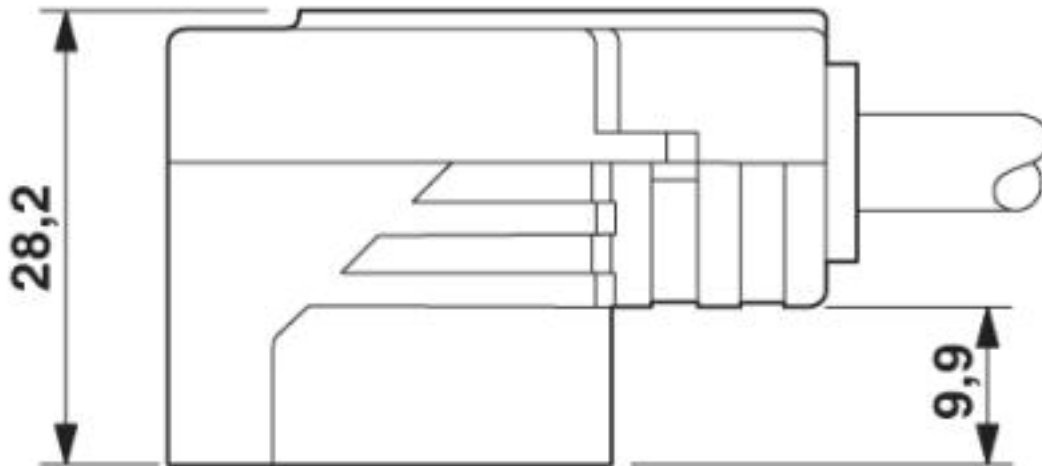
### Mounting material

SAC-V-SCREW-M3-29 KNURL - 1403779



## Drawings

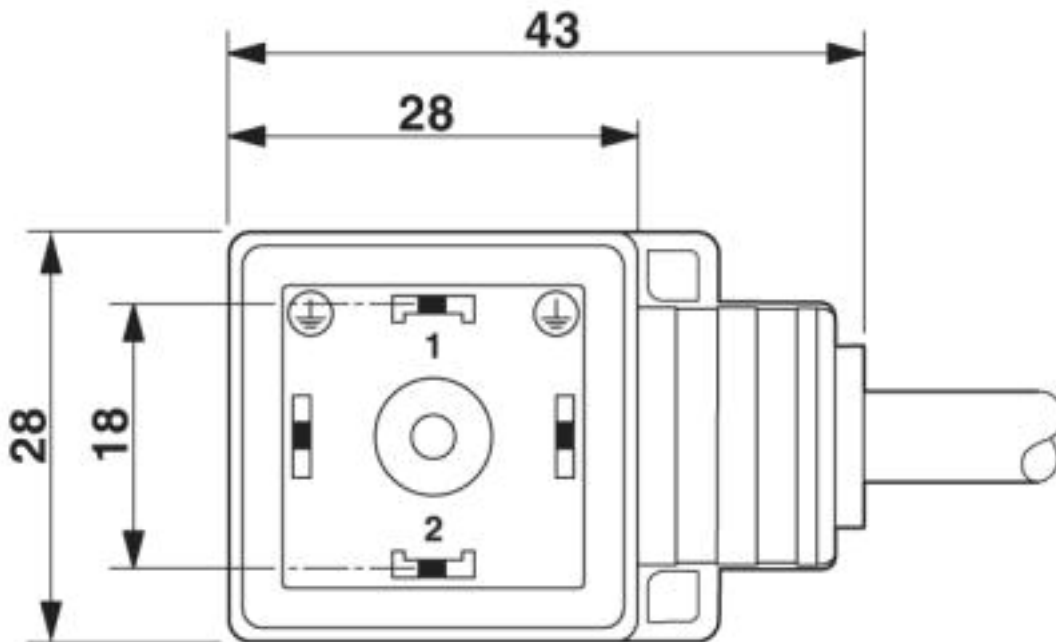
### Dimensioned drawing



Valve connector, type A, side view

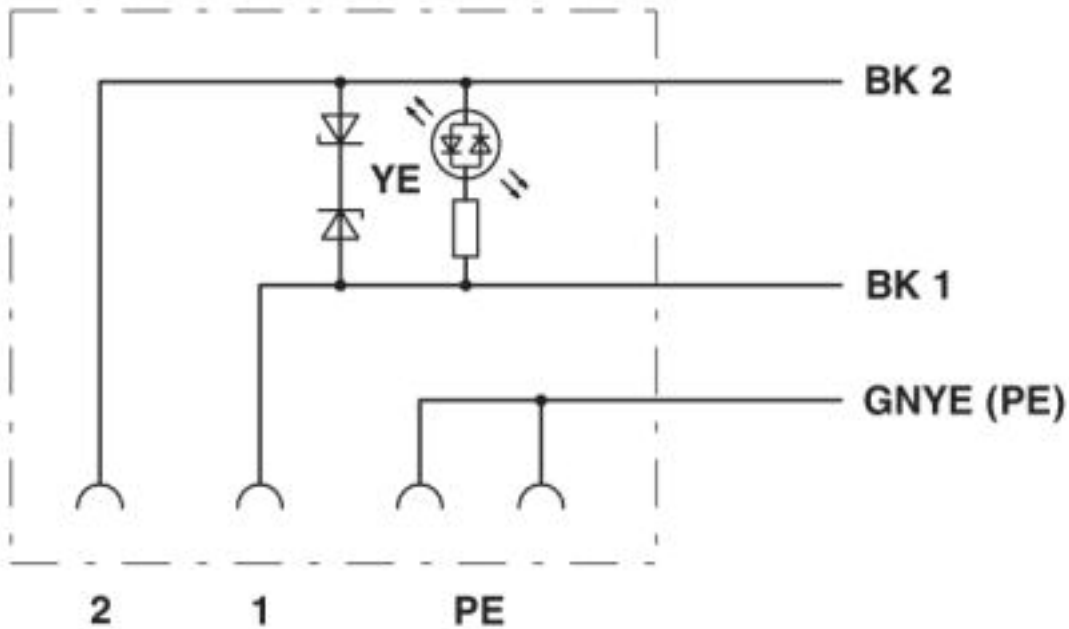
# Sensor/Actuator cable - SAC-3P- 5,0-PVC/A-1L-Z - 1439502

Dimensioned drawing



Valve connector, type A

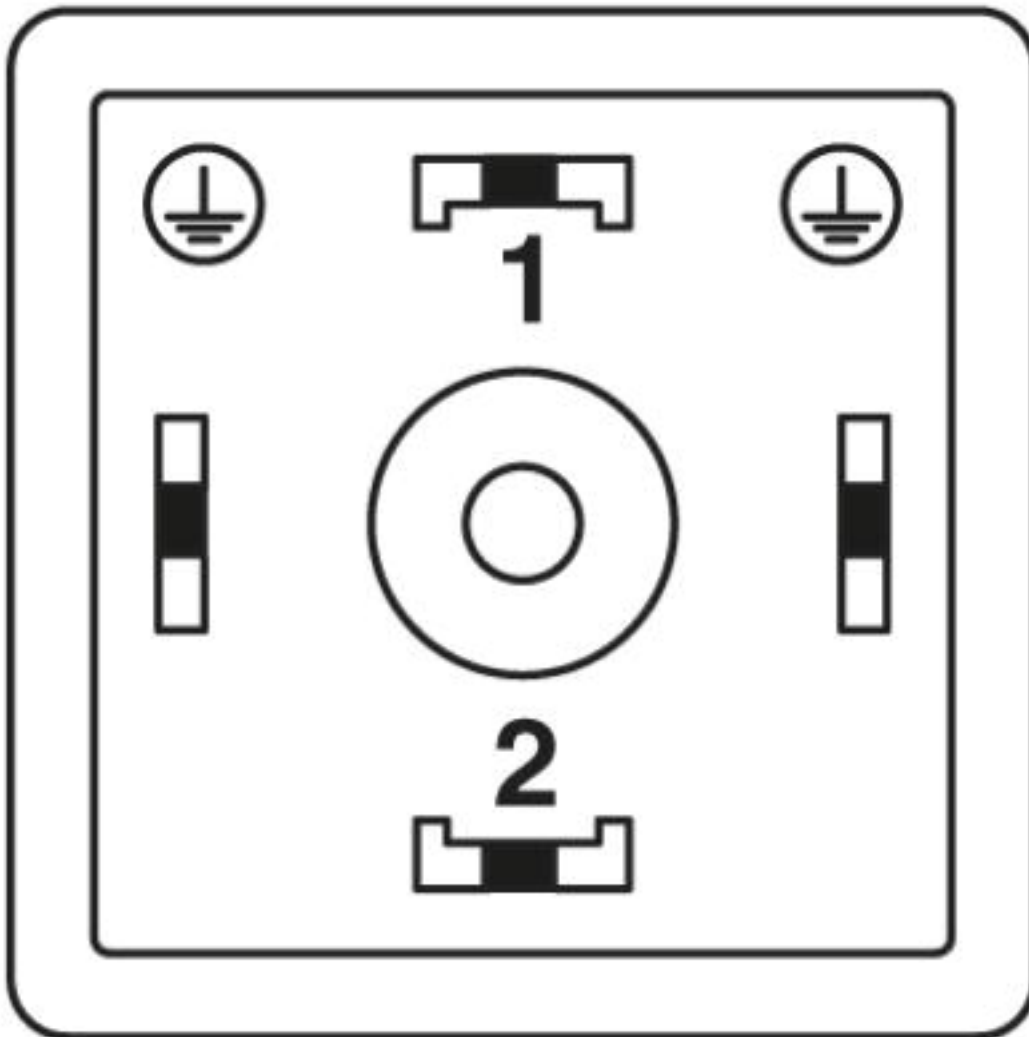
Circuit diagram



Contact assignment of the valve plug

# Sensor/Actuator cable - SAC-3P- 5,0-PVC/A-1L-Z - 1439502

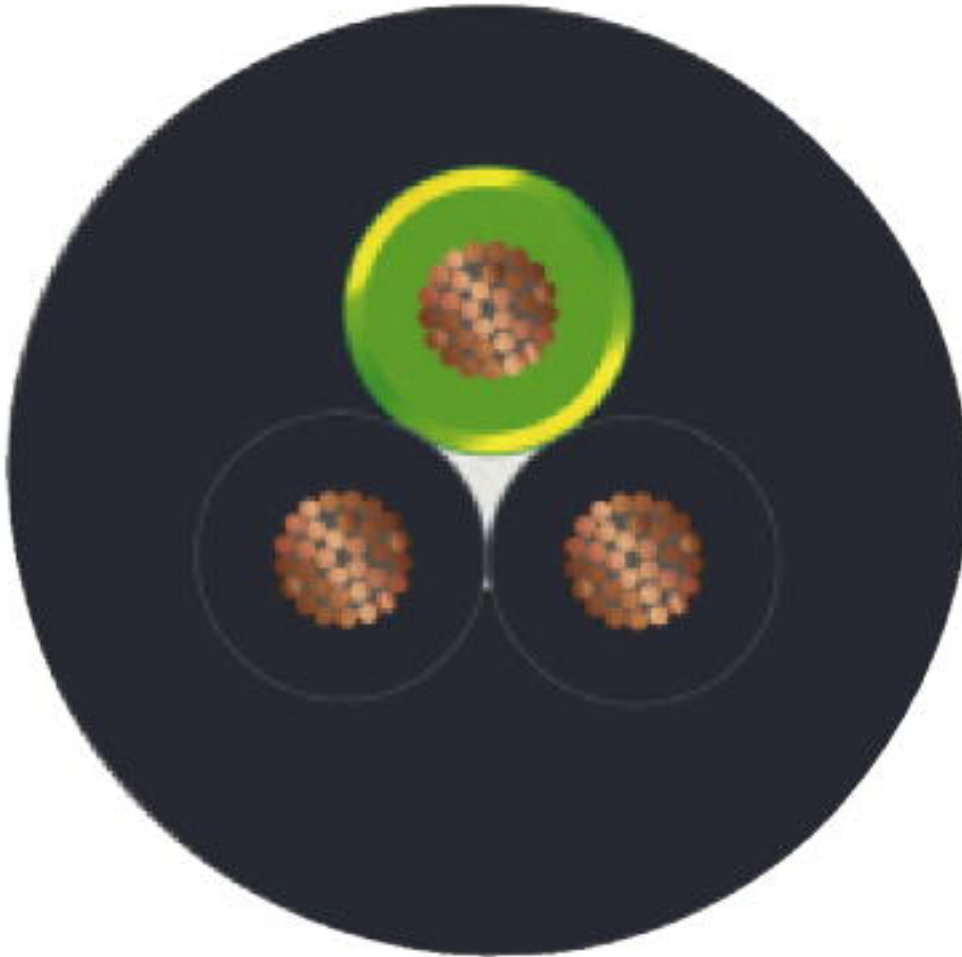
Schematic diagram



Valve connector pin assignment, type A

## Sensor/Actuator cable - SAC-3P- 5,0-PVC/A-1L-Z - 1439502

Cable cross section



PVC black [PVC]

© Phoenix Contact 2013 - all rights reserved  
<http://www.phoenixcontact.com>