

Contact insert - VC-TFS 2-PE - 1583513

Please be informed that the data shown in this PDF Document is generated from our Online Catalog. Please find the complete data in the user's documentation. Our General Terms of Use for Downloads are valid (<http://download.phoenixcontact.com>)



Contact insert module, for sleeve frames, with screw connection, 1-pos. + PE connection, 400 V / 20 A

Product Features

- Compact design
- Universal connection
- Proven COMBICON technology
- Can be keyed to prevent incorrect connection

Key commercial data

package_quantity	50
GTIN	4046356153256

Technical data

General

Note	Connectors may only be connected/disconnected when under no load.
Connection method	Screw connection
Connection method	Screw connection
Tightening torque	0.5 Nm ... 0.6 Nm
Pollution degree	3
Surge voltage category	III
Number of positions	1+PE
Conductor cross section	0.2 mm ² ... 4 mm ²
Connection cross section AWG	24 ... 12
Stripping length of the individual wire	7 mm

Ambient conditions

Ambient temperature (operation)	-40 °C ... 100 °C
--	-------------------

Material data

Inflammability class according to UL 94	V0
Contact material	CuZn
Contact surface material	Tin-plated
Contact carrier material	PA

Electrical characteristics

Contact insert - VC-TFS 2-PE - 1583513

Technical data

Electrical characteristics

Rated voltage (III/3)	400 V
Rated surge voltage	6 kV
Rated surge voltage	6 kV
Rated current	20 A
Rated current	20 A

classifications

eCl@ss

eCl@ss 4.0	272607xx
eCl@ss 4.1	27260701
eCl@ss 5.0	27143424
eCl@ss 5.1	27143424
eCl@ss 6.0	27371205
eCl@ss 7.0	27371205
eCl@ss 8.0	27371205

ETIM

ETIM 3.0	EC000438
ETIM 4.0	EC000438
ETIM 5.0	EC000438

UNSPSC

UNSPSC 6.01	31261501
UNSPSC 7.0901	31261501
UNSPSC 11	31261501
UNSPSC 12.01	31261501
UNSPSC 13.2	31261501

accessories

Coding element

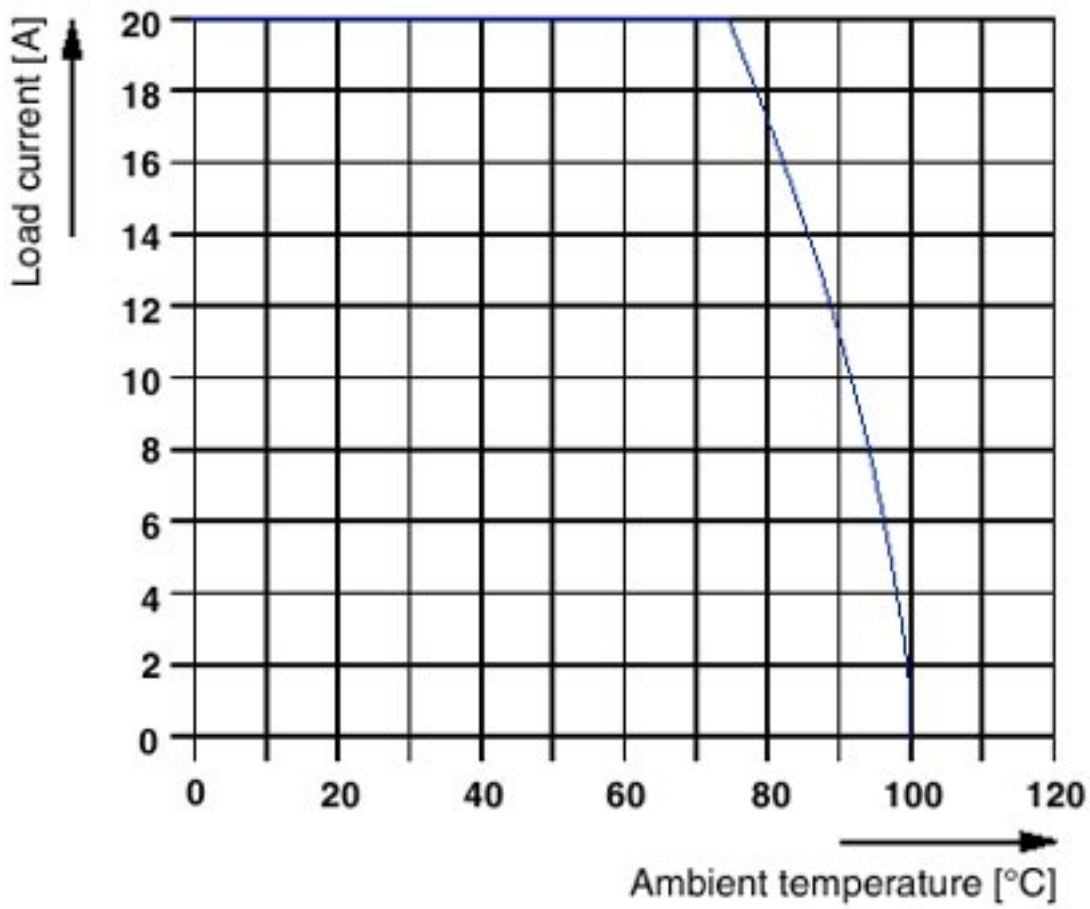
CP-HCC 4 - 1600027



Drawings

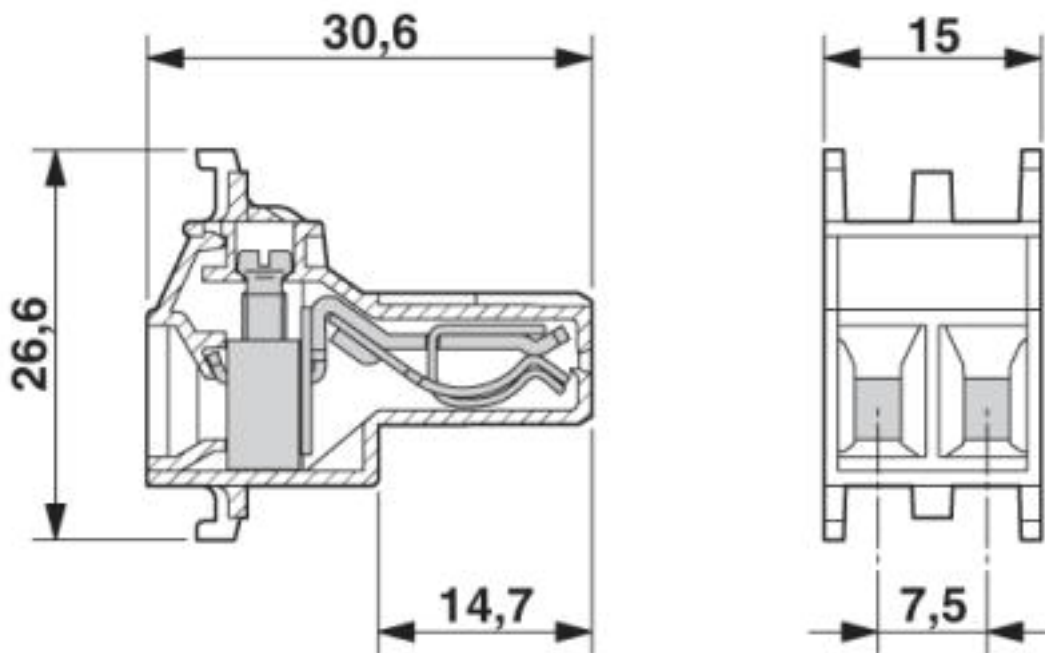
Contact insert - VC-TFS 2-PE - 1583513

Diagram



Contact insert - VC-TFS 2-PE - 1583513

Dimensioned drawing



© Phoenix Contact 2013 - all rights reserved
<http://www.phoenixcontact.com>