

Sensor/actuator box - SACB-4/ 8-SC SCO P - 1452932

Please be informed that the data shown in this PDF Document is generated from our Online Catalog. Please find the complete data in the user's documentation. Our General Terms of Use for Downloads are valid (<http://download.phoenixcontact.com>)



Sensor/actuator box, Connection method: M12-SPEEDCON-socket Plastic, Number of slots: 4, Number of positions: 5, Slot assignment: Double, Status indication: No, Universal; Master cable connection: Spring-cage conn. 180°, Shielding: No

Figure shows version with diagnostic and status indicator

Product Features

- Safety in the field, thanks to molded housing and high degree of protection
- Flexible, distributed bundling of signals in one master cable
- Save space: distributor box with double occupancy for two sensors in one slot
- Save time, thanks to installation with SPEEDCON rapid interlock system
- Flexible: distributor box with connector hood for on-site assembly



Key commercial data

package_quantity	1
GTIN	4046356553551

Technical data

General

Rated voltage	120 V
Current carrying capacity per I/O signal	2 A
Current carrying capacity per slot	4 A
Total rated current	12 A
Number of positions	5
Number of slots	4
Inflammability class according to UL 94	V0
Sensor/actuator connection system	M12-SPEEDCON-socket

Ambient conditions

Degree of protection	IP65
Degree of protection	IP67
Ambient temperature (operation)	-25 °C ... 80 °C

Master cable data/connection data

Connection method	Spring-cage conn.
-------------------	-------------------

Sensor/actuator box - SACB-4/ 8-SC SCO P - 1452932

Technical data

Master cable data/connection data

Conductor cross section min. (signal)	0.2 mm ²
Conductor cross section max. (signal)	0.5 mm ²
Conductor cross section AWG min. (signal)	24
Conductor cross section AWG max. (signal)	20
Stripping length (signal)	6 mm
Conductor cross section min. (energy)	0.2 mm ²
Conductor cross section max. (energy)	1.5 mm ²
Conductor cross section AWG min. (energy)	24
Conductor cross section AWG max. (energy)	16
Stripping length (power)	10 mm
External cable diameter min.	7 mm
External cable diameter max.	12 mm
Stripping length	50 mm (Master cable)
Tightening torque, cover screw	1 Nm
Tightening torque, union nut	2.5 Nm
Tightening torque slot sensor/actuator cable	0.4 Nm
Tightening torque screw plug	0.4 Nm

Insulation material

Housing material	PBT
Material of the moulding mass	PUR
Contact material	Cu alloy
Contact surface material	Gold-plated
Contact carrier material	PA
Material of threaded sleeve	PBT
Material, O-ring	NBR
Sealing material	NBR (Connector hood)

Pin assignment

Slot/position = Wire color or connection	1 / 4 (A) = WH
Slot/position = Wire color or connection	1 / 2 (B) = GY/PK
Slot/position = Wire color or connection	2 / 4 (A) = GN
Slot/position = Wire color or connection	2 / 2 (B) = RD/BU
Slot/position = Wire color or connection	3 / 4 (A) = YE
Slot/position = Wire color or connection	3 / 2 (B) = WH/GN
Slot/position = Wire color or connection	4 / 4 (A) = GY
Slot/position = Wire color or connection	4 / 2 (B) = BN/GN
Slot/position = Wire color or connection	1-4 / 1 (+ 120 V) = BN
Slot/position = Wire color or connection	1-4 / 3 (0 V) = BU
Slot/position = Wire color or connection	1-4 / 5 (PE) = GN/YE

Sensor/actuator box - SACB-4/ 8-SC SCO P - 1452932

classifications

eCl@ss

eCl@ss 4.0	27140815
eCl@ss 4.1	27140815
eCl@ss 5.0	27143423
eCl@ss 5.1	27143423
eCl@ss 6.0	27143423
eCl@ss 7.0	27449001
eCl@ss 8.0	27449001

ETIM

ETIM 4.0	EC002585
ETIM 5.0	EC002585


UNSPSC


UNSPSC 6.01	31261501
UNSPSC 7.0901	31261501
UNSPSC 11	31261501
UNSPSC 12.01	31261501
UNSPSC 13.2	31261501

approvals

UL Recognized / cUL Recognized / GOST / cULus Recognized /

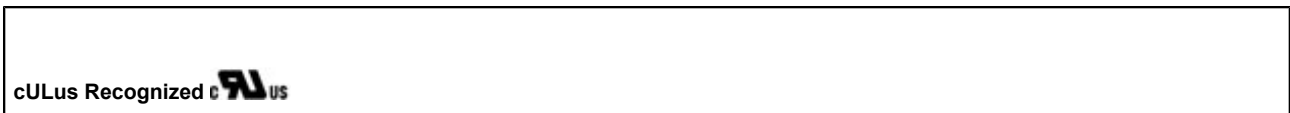
Approval details

UL Recognized 	
Nominal voltage UN	120 V
Nominal current IN	
mm ² /AWG/kcmil	

cUL Recognized 	
Nominal voltage UN	120 V
Nominal current IN	
mm ² /AWG/kcmil	

Sensor/actuator box - SACB-4/ 8-SC SCO P - 1452932

approvals



accessories

Protective cap

PROT-MS SCO - 1553129



Device marking

SS-ZB 17,5 WH - 0804963



SS-ZB 17,5 YE - 0804976



Labeled device marker

SS-ZB 17,5 WH CUS - 0824468



Sensor/actuator box - SACB-4/ 8-SC SCO P - 1452932

accessories

SS-ZB 17,5 YE CUS - 0824469



Torque tool

TSD 04 SAC - 1208429



TSD-M 1,2NM - 1212224



TSD 25 SAC - 1212315



TSD-M 3NM - 1212225



Screwdriver tools

Sensor/actuator box - SACB-4/ 8-SC SCO P - 1452932

accessories

SACC BIT M12-D20 - 1208445



SZK PZ2 VDE - 1206463



SAC BIT HOOD-W 24 - 1212486



TSD-M SAC-BIT ADAPTER - 1212600



SZS 0,4X2,0 - 1205202



Cable by the meter

Sensor/actuator box - SACB-4/ 8-SC SCO P - 1452932

accessories

SACB- 8X0,5/ 3X1,0-50,0 PUR - 1503357



SACB-8X0,5/3X1,0-50,0 HPUR - 1401690



Connector

A 0,5 - 6 - 3200218



A 0,75-10 - 3200234



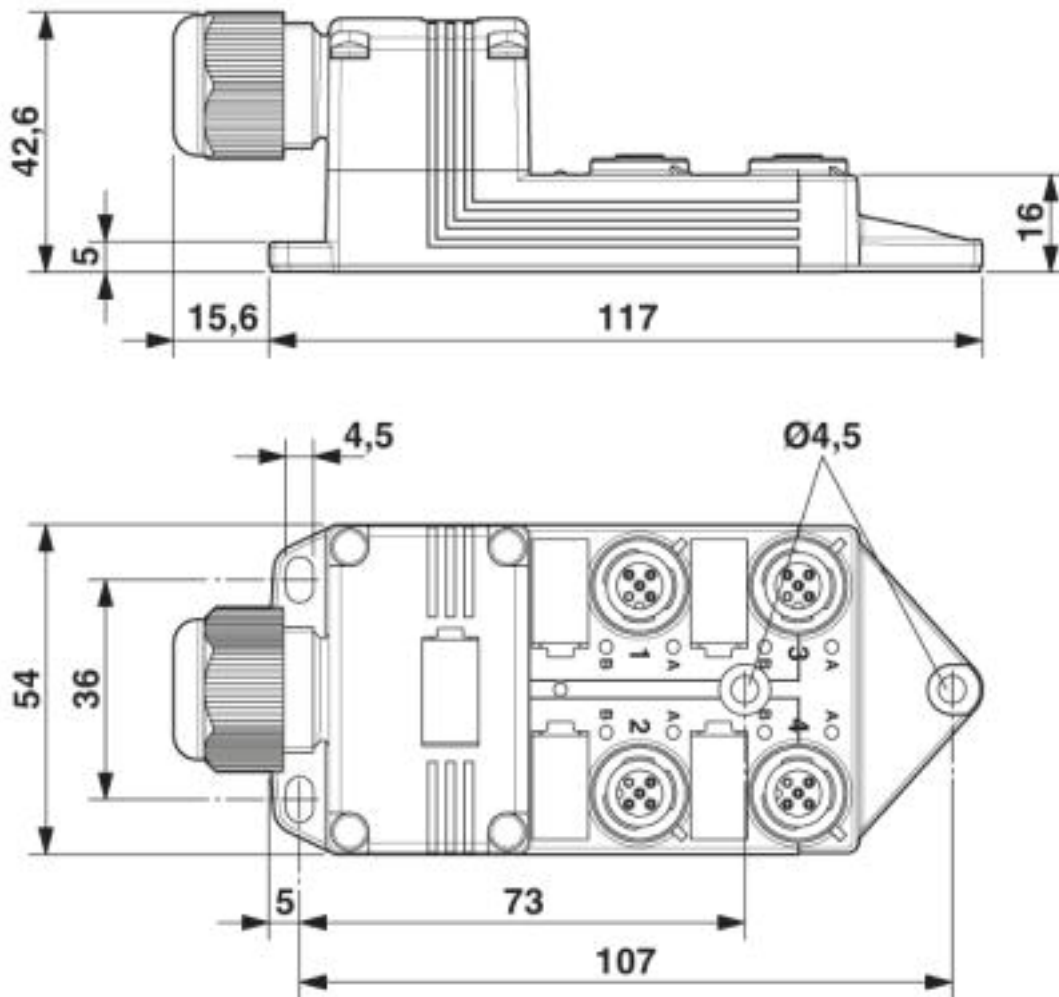
A 1 -10 - 3200250



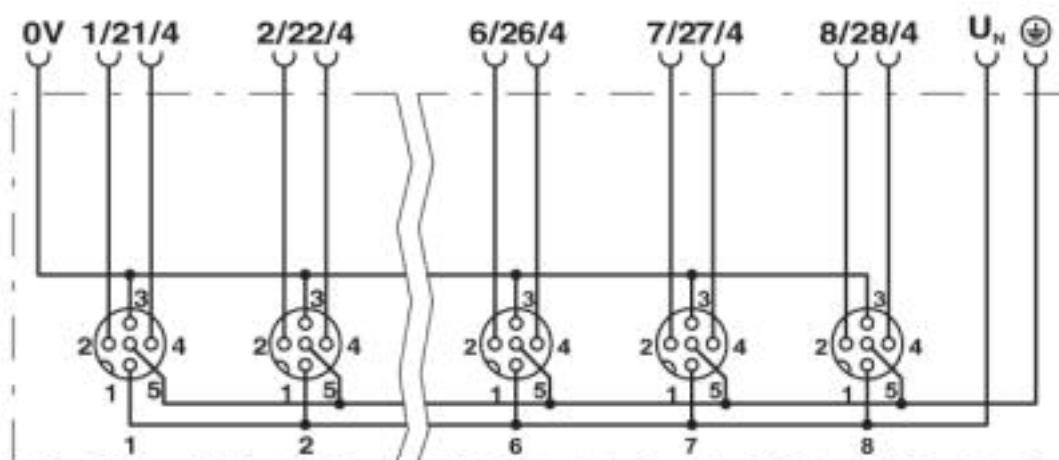
Drawings

Sensor/actuator box - SACB-4/ 8-SC SCO P - 1452932

Dimensioned drawing

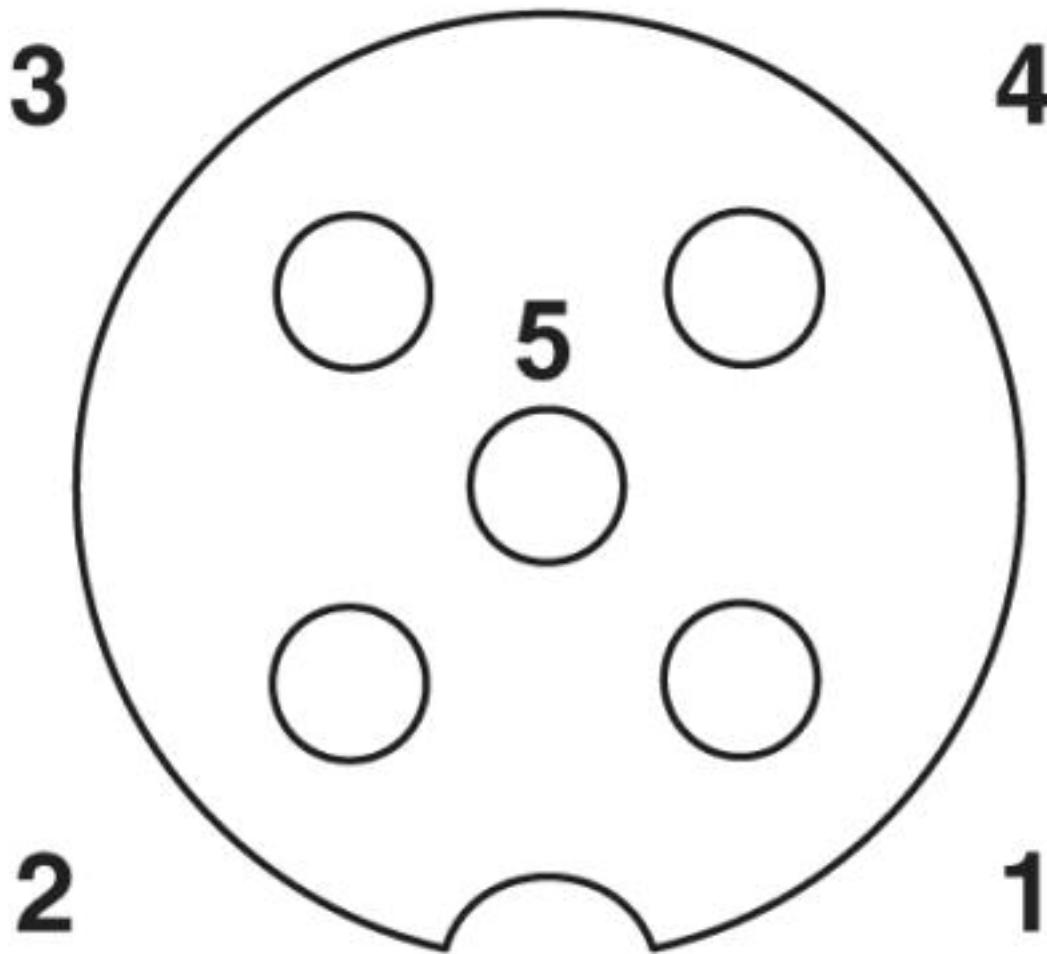


Circuit diagram



Sensor/actuator box - SACB-4/ 8-SC SCO P - 1452932

Schematic diagram



M12 slot, socket, 5-pos.

© Phoenix Contact 2013 - all rights reserved
<http://www.phoenixcontact.com>