

# T distributor - SAC-5P-M12T/2XM12 VP - 1541186

Please be informed that the data shown in this PDF Document is generated from our Online Catalog. Please find the complete data in the user's documentation. Our General Terms of Use for Downloads are valid (<http://download.phoenixcontact.com>)



T distributor, CANopen<sup>®</sup>, DeviceNet<sup>™</sup>, CANopen<sup>®</sup>/DeviceNet<sup>™</sup>, 5-position, Plug straight M12, A-coded, on Socket straight M12, A-coded and Socket straight M12, A-coded

## Product Features

- T-plugs
- Termination resistors
- Y-distributors for power and signal connections

## Key commercial data

<b>package_quantity</b>	1
<b>GTIN</b>	4046356083751

## Technical data

### Ambient conditions

<b>Ambient temperature (operation)</b>	-25 °C ... 90 °C
<b>Degree of protection</b>	IP65
<b>Degree of protection</b>	IP67

### General

<b>Rated current at 40°C</b>	4 A
<b>Rated voltage</b>	60 V
<b>Number of positions</b>	5
<b>Contact resistance</b>	≤ 5 mΩ
<b>Insulation resistance</b>	≥ 10 GΩ
<b>Coding</b>	A - standard
<b>Standards/regulations</b>	M12 connector IEC 61076-2-101
<b>Signal type/category</b>	CANopen <sup>®</sup>
<b>Signal type/category</b>	DeviceNet <sup>™</sup>
<b>Status display</b>	No
<b>Surge voltage category</b>	II
<b>Pollution degree</b>	3
<b>Test voltage</b>	1500 V
<b>Insertion/withdrawal cycles</b>	≥ 100
<b>Torque</b>	0.4 Nm (M12 connector)

# T distributor - SAC-5P-M12T/2XM12 VP - 1541186

## Technical data

### Material

<b>Inflammability class according to UL 94</b>	HB
<b>Contact material</b>	CuZn
<b>Contact surface material</b>	Ni/Au
<b>Contact carrier material</b>	TPU GF
<b>Material of grip body</b>	TPU, hardly inflammable, self-extinguishing
<b>Material, knurls</b>	Zinc die-cast, nickel-plated
<b>Sealing material</b>	NBR

### Cable

## classifications

### eCl@ss

<b>eCl@ss 4.0</b>	27060306
<b>eCl@ss 4.1</b>	27060306
<b>eCl@ss 5.0</b>	27061801
<b>eCl@ss 5.1</b>	27061801
<b>eCl@ss 6.0</b>	27061801
<b>eCl@ss 7.0</b>	27061801
<b>eCl@ss 8.0</b>	27061801

### ETIM

<b>ETIM 2.0</b>	EC000830
<b>ETIM 3.0</b>	EC002062
<b>ETIM 4.0</b>	EC002062
<b>ETIM 5.0</b>	EC000830

### UNSPSC

<b>UNSPSC 6.01</b>	31251501
<b>UNSPSC 7.0901</b>	31251501
<b>UNSPSC 11</b>	31251501
<b>UNSPSC 12.01</b>	31251501
<b>UNSPSC 13.2</b>	31251501

## approvals

GOST /

### Approval details



## T distributor - SAC-5P-M12T/2XM12 VP - 1541186

accessories

### Torque tool

TSD 04 SAC - 1208429



---

### Screwdriver tools

SAC BIT M12-D15 - 1208432



---

### Protective cap

PROT-M12 - 1680539



PROT-M12 FS - 1560251

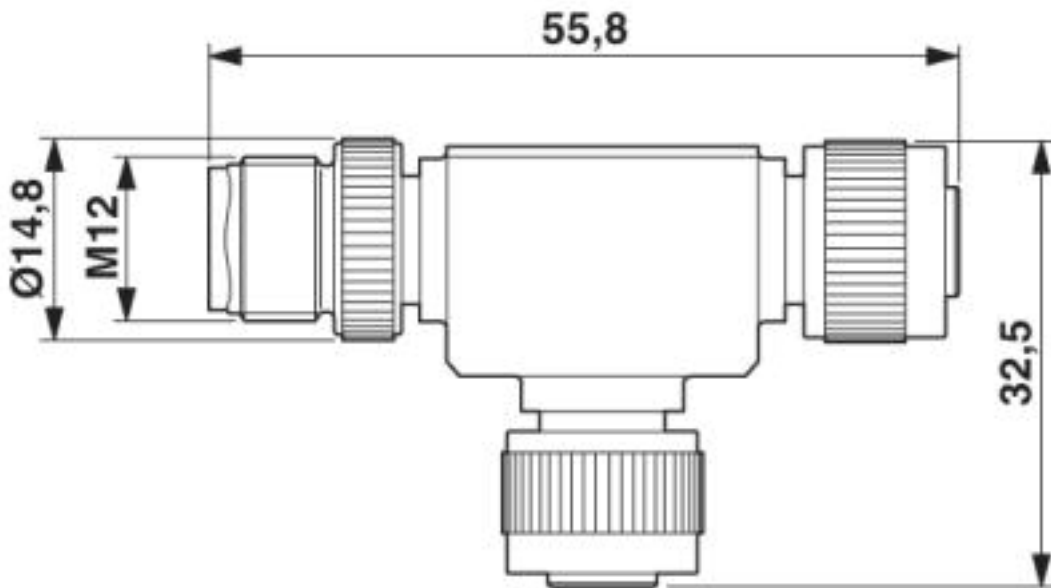


---

### Drawings

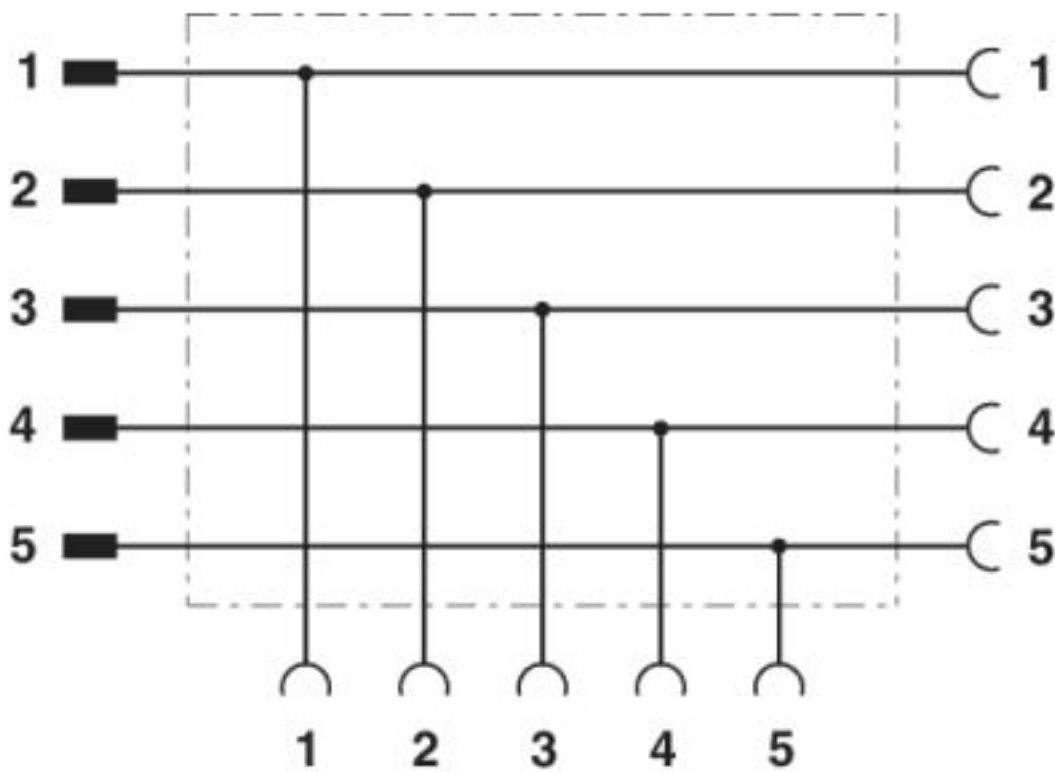
# T distributor - SAC-5P-M12T/2XM12 VP - 1541186

Dimensioned drawing



M12 T-distributor

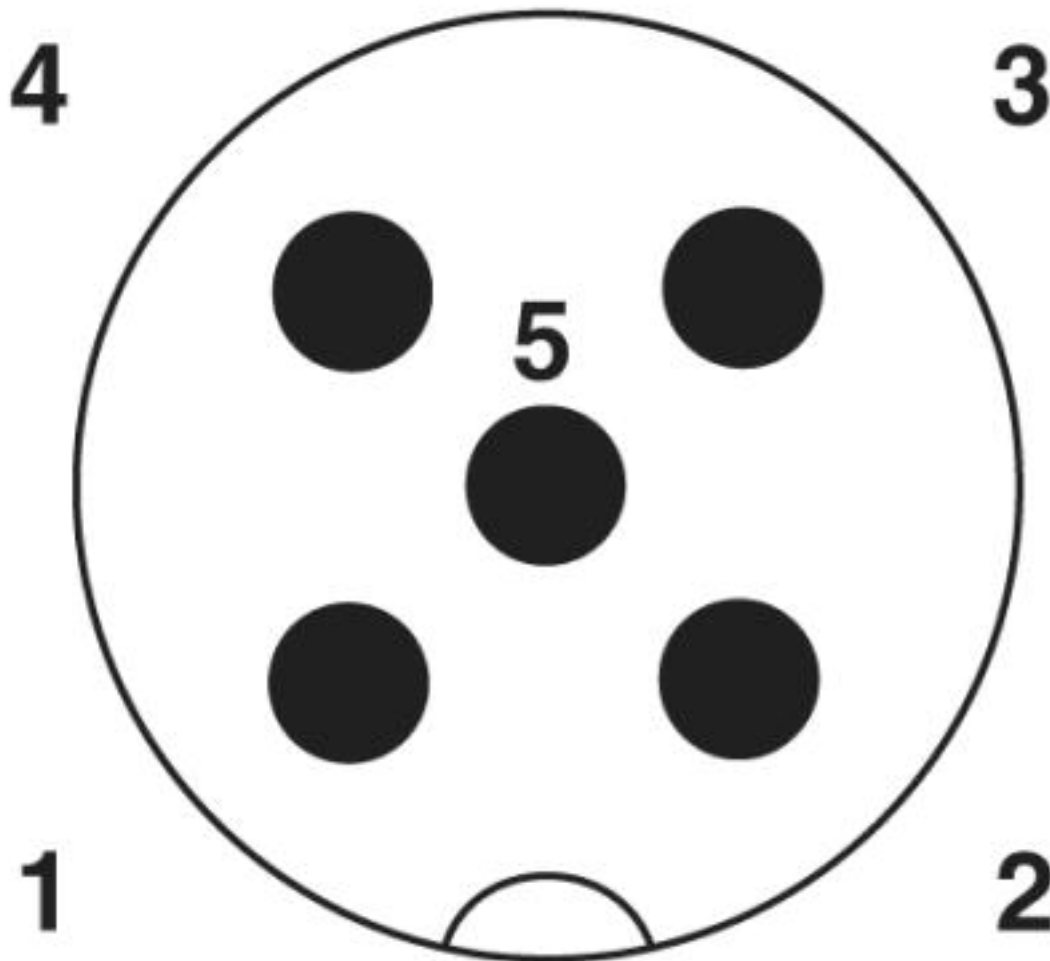
Circuit diagram



Contact assignment of the M12 T distributor

# T distributor - SAC-5P-M12T/2XM12 VP - 1541186

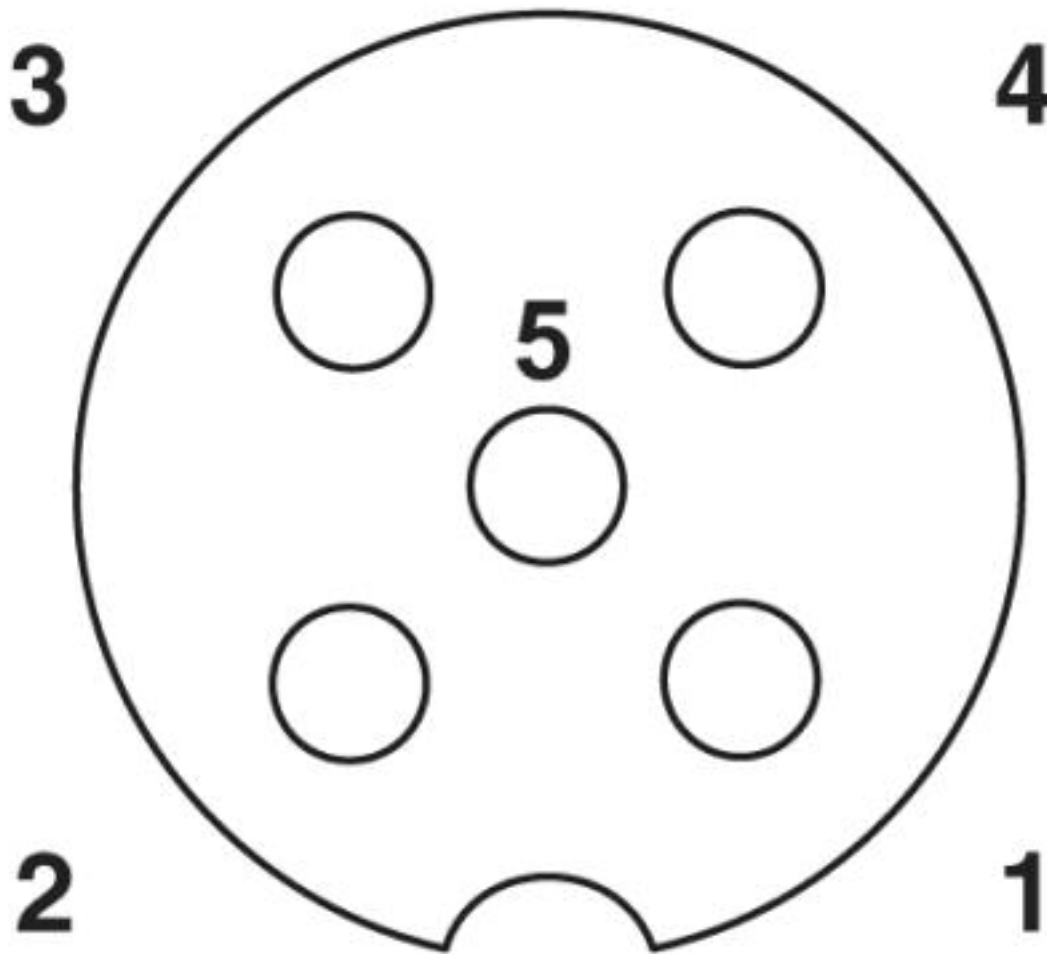
Schematic diagram



Pin assignment M12 male connector, 5-pos., A-coded, male side

# T distributor - SAC-5P-M12T/2XM12 VP - 1541186

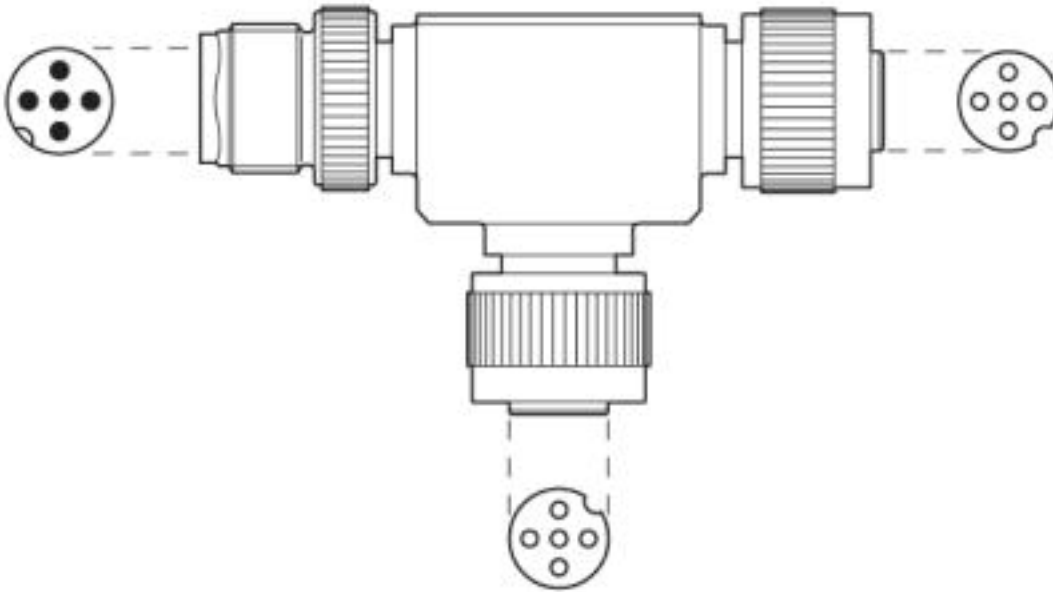
Schematic diagram



Pin assignment M12 socket, 5-pos., A-coded, socket side view

## T distributor - SAC-5P-M12T/2XM12 VP - 1541186

Schematic diagram



Layout of connector pin assignments

© Phoenix Contact 2013 - all rights reserved  
<http://www.phoenixcontact.com>