

Connection terminal block - AKG 4 BU-EX - 0421061

Please be informed that the data shown in this PDF Document is generated from our Online Catalog. Please find the complete data in the user's documentation. Our General Terms of Use for Downloads are valid (<http://download.phoenixcontact.com>)



Connection terminal block, Connection method: Screw connection, Cross section: 0.5 mm² - 6 mm², AWG: 20 - 10, Width: 7 mm, Height: 23.6 mm, Color: blue, Mounting type: Neutral busbar



Key commercial data

package_quantity	50
GTIN	4017918001964

Technical data

General

Color	blue
-------	------

General

Nominal current I _N	41 A
Nominal voltage U _N	300 V

Dimensions

Length	23.7 mm
Width	7 mm

Connection data

Conductor cross section solid min.	0.5 mm ²
Conductor cross section solid max.	6 mm ²
Conductor cross section stranded min.	0.5 mm ²
Conductor cross section stranded max.	4 mm ²
Conductor cross section AWG/kcmil min.	20
Conductor cross section AWG/kcmil max	10
Conductor cross section stranded, with ferrule without plastic sleeve min.	0.5 mm ²
Conductor cross section stranded, with ferrule without plastic sleeve max.	6 mm ²
Conductor cross section stranded, with ferrule with plastic sleeve min.	0.5 mm ²
Conductor cross section stranded, with ferrule with plastic sleeve max.	6 mm ²

Connection terminal block - AKG 4 BU-EX - 0421061

Technical data

Connection data

2 conductors with same cross section, solid min.	0.5 mm ²
2 conductors with same cross section, solid max.	2.5 mm ²
2 conductors with same cross section, stranded min.	0.5 mm ²
2 conductors with same cross section, stranded max.	2.5 mm ²
2 conductors with same cross section, stranded, ferrules without plastic sleeve, min.	0.5 mm ²
2 conductors with same cross section, stranded, ferrules without plastic sleeve, max.	2.5 mm ²
2 conductors with same cross section, stranded, TWIN ferrules with plastic sleeve, min.	0.5 mm ²
2 conductors with same cross section, stranded, TWIN ferrules with plastic sleeve, max.	2.5 mm ²
Connection method	Screw connection
Stripping length	16 mm
Screw thread	M4
Tightening torque, min	1.5 Nm
Tightening torque max	1.8 Nm

classifications

eCl@ss

eCl@ss 4.0	27141131
eCl@ss 4.1	27141131
eCl@ss 5.0	27141131
eCl@ss 5.1	27141131
eCl@ss 6.0	27141120
eCl@ss 7.0	27141120
eCl@ss 8.0	27141120

ETIM

ETIM 2.0	EC000897
ETIM 3.0	EC000897
ETIM 4.0	EC000897
ETIM 5.0	EC000897

UNSPSC

UNSPSC 6.01	30211811
UNSPSC 7.0901	39121410
UNSPSC 11	39121410
UNSPSC 12.01	39121410
UNSPSC 13.2	39121410

Connection terminal block - AKG 4 BU-EX - 0421061

approvals

ATEX / GOST /

Approval details

ATEX	
Nominal voltage UN	
Nominal current IN	32 A
mm ² /AWG/kcmil	0.5-4

GOST	
------	--

accessories

Support

AB/SS - 0404428



ABN 2/SS - 0404460



UAB 1 - 3032431



Connection terminal block - AKG 4 BU-EX - 0421061

accessories

AB2/SS - 0404431



Screwdriver tools

SZS 0,6X3,5 - 1205053



Neutral conductor rail

NLS-CU 3/10 SN 1000MM - 0402174



Terminal marking

ZB 5 :UNBEDRUCKT - 1050004



UC-TM 5 - 0818108



Connection terminal block - AKG 4 BU-EX - 0421061

accessories

UCT-TM 5 - 0828734



Labeled terminal marker

ZB 5 CUS - 0824962



UC-TM 5 CUS - 0824581



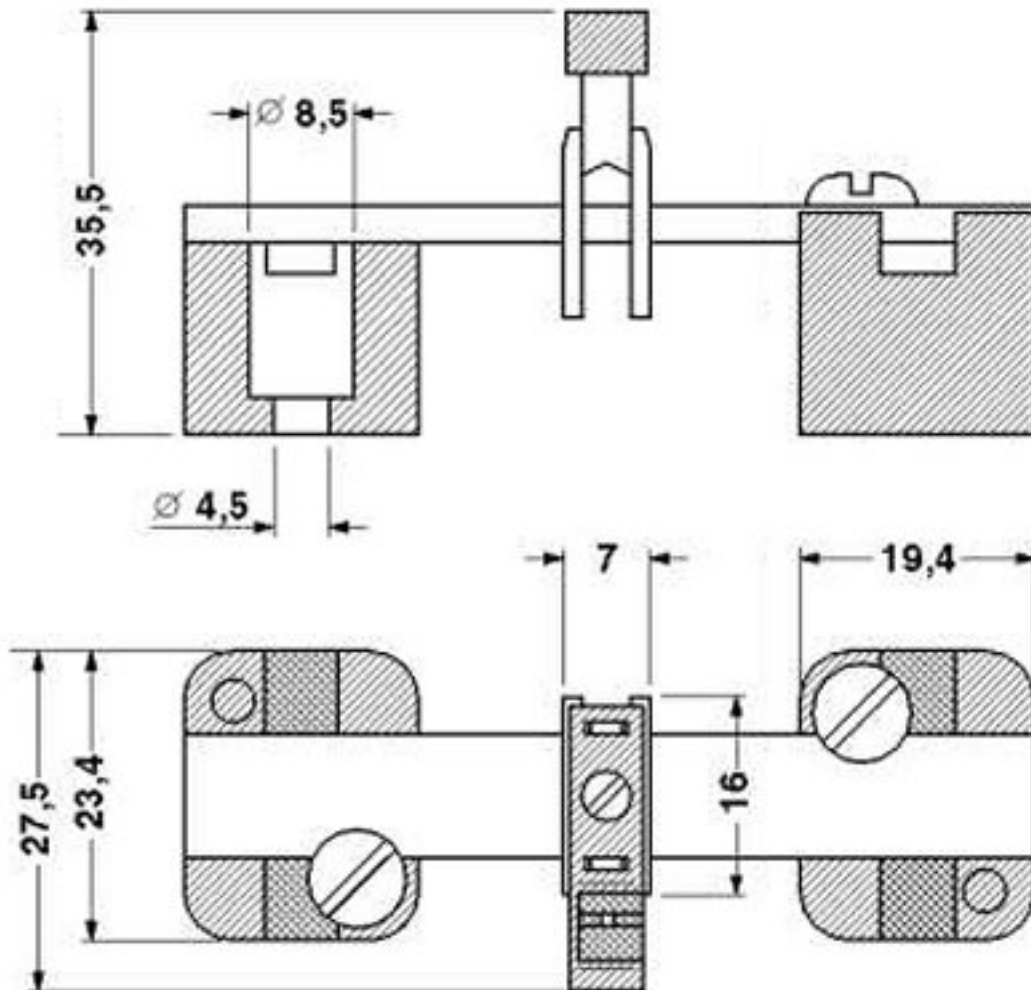
UCT-TM 5 CUS - 0829595



Drawings

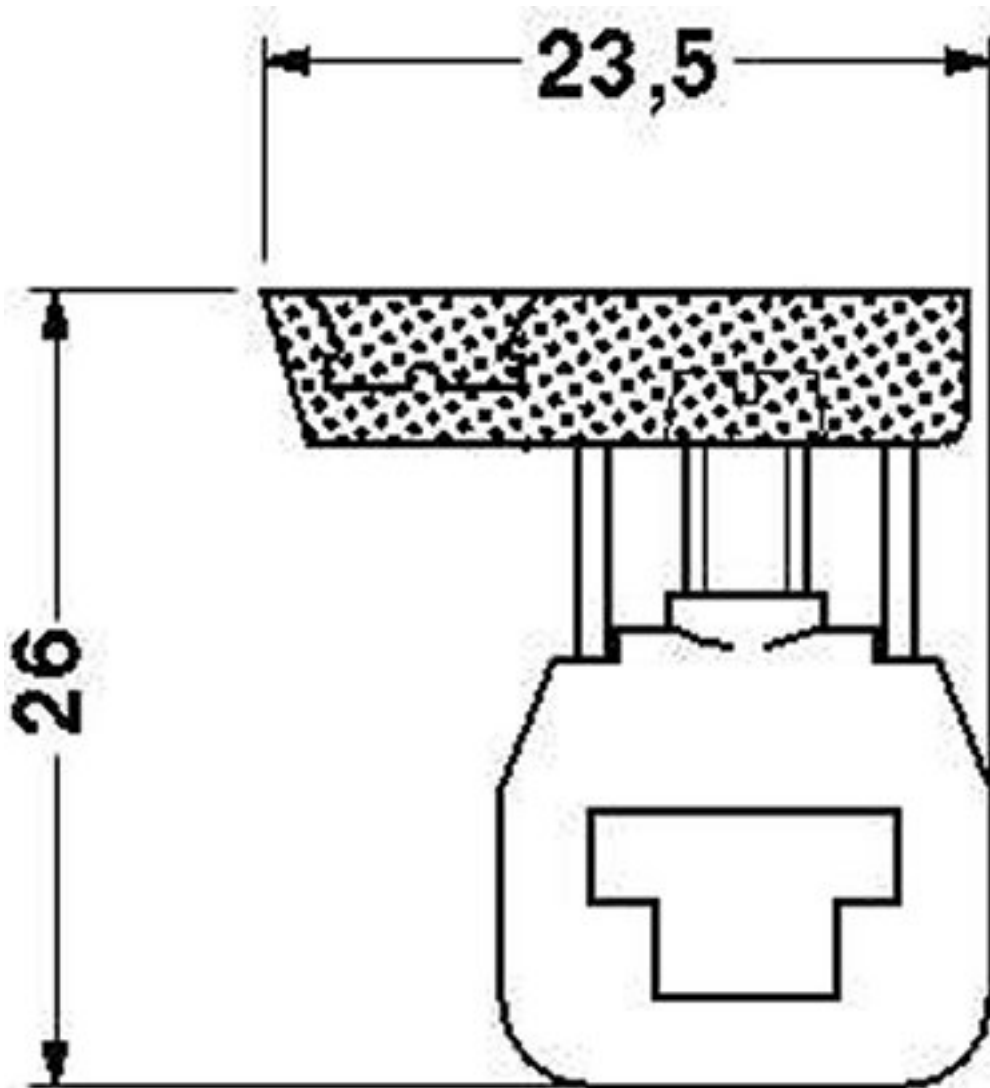
Connection terminal block - AKG 4 BU-EX - 0421061

Dimensioned drawing



Connection terminal block - AKG 4 BU-EX - 0421061

Dimensioned drawing



© Phoenix Contact 2013 - all rights reserved
<http://www.phoenixcontact.com>