

# Crimp contact - CK1,6-ED-0,37BU AG - 1663394

Please be informed that the data shown in this PDF Document is generated from our Online Catalog. Please find the complete data in the user's documentation. Our General Terms of Use for Downloads are valid (<http://download.phoenixcontact.com>)



Turned 1.6 crimp contact, individual female contact, core diameter 0.14 to 0.37 mm<sup>2</sup>, silver-plated

## Key commercial data

<b>package_quantity</b>	100
<b>GTIN</b>	4017918123208

## Technical data

### Electrical characteristics

<b>Note</b>	For HC-M-12, HC-M-EMC, HC-D, HC-DD and VC-D contact inserts, the quality of a crimp connection is determined by DIN EN 60 352-2
-------------	---

### Ambient conditions

<b>Ambient temperature (operation)</b>	-40 °C ... 125 °C
--	-------------------

### Mechanical characteristics

<b>Conductor cross section</b>	0.14 mm <sup>2</sup> ... 0.37 mm <sup>2</sup>
<b>Connection cross section AWG</b>	26 ... 22
<b>Stripping length of the individual wire</b>	8 mm (6 mm in case of 2.5 mm <sup>2</sup> )
<b>Insertion/withdrawal cycles</b>	≥ 500

### General

<b>Type</b>	Individual female contact
<b>Series</b>	HC-M-12
<b>Connection method</b>	Crimp connection
<b>Assembly instructions</b>	At voltages of < 5 V and currents < 5 mA, gold-plated contacts are recommended.
<b>Connection</b>	For HC-M-12..., HC-M-03/04..., HC-M-17..., HC-M-EMV..., HC-D..., HC-DD..., VC-D... contact carriers

### Material data

<b>Contact material</b>	Copper alloy
<b>Contact surface material</b>	Silver-plated

## classifications

eCl@ss

# Crimp contact - CK1,6-ED-0,37BU AG - 1663394

## classifications

### eCl@ss

eCl@ss 4.0	27140816
eCl@ss 4.1	27140816
eCl@ss 5.0	27143424
eCl@ss 5.1	27143424
eCl@ss 6.0	27143424
eCl@ss 7.0	27440209
eCl@ss 8.0	27440209

### ETIM

ETIM 2.0	EC000796
ETIM 3.0	EC000796
ETIM 4.0	EC000796
ETIM 5.0	EC000796

### UNSPSC

UNSPSC 6.01	30211923
UNSPSC 7.0901	39121522
UNSPSC 11	39121522
UNSPSC 12.01	39121522
UNSPSC 13.2	39121522

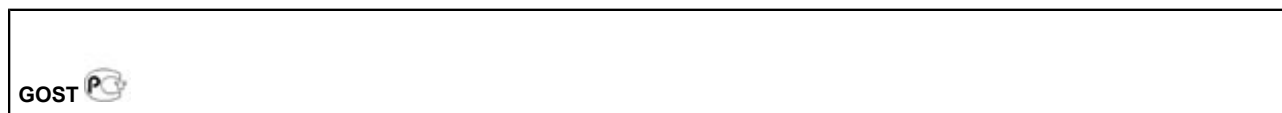
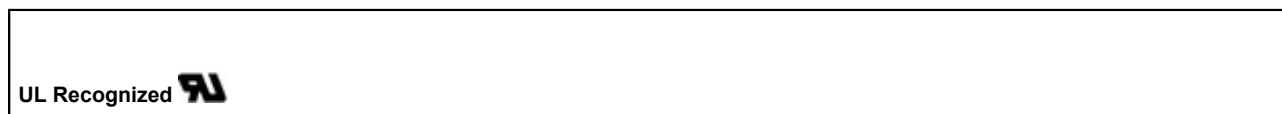
## approvals

---

UL Recognized / GOST /

---

### Approval details



## accessories

### Assembly tool

# Crimp contact - CK1,6-ED-0,37BU AG - 1663394

accessories

CK1,6/2,5-MWZ - 1676734



VC-EW 1,6 - 1884869



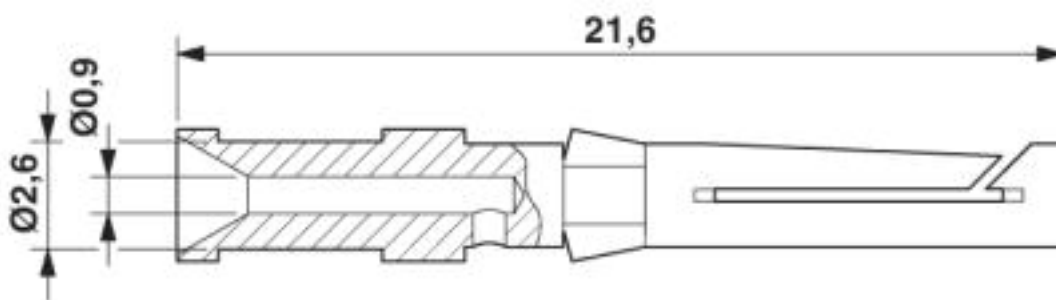
## Crimping tool

CRIMPFOX-1,6/2,5-ED-4,0 - 1687419



## Drawings

Dimensioned drawing



Dimensional drawing

© Phoenix Contact 2013 - all rights reserved  
<http://www.phoenixcontact.com>