

Terminal adapter - HC-D 64-A-UT-PER-F - 1584321

Please be informed that the data shown in this PDF Document is generated from our Online Catalog. Please find the complete data in the user's documentation. Our General Terms of Use for Downloads are valid (<http://download.phoenixcontact.com>)



HEAVYCON terminal adapter female insert, D64 series, 64-pos., left protective conductor connection for the right side of the control cabinet, screw connection

Key commercial data

package_quantity	1
GTIN	4046356142588

Technical data

Dimensions

Drill hole distance, horizontal	104 mm
Height	132.6 mm

Ambient conditions

Ambient temperature (operation)	-40 °C ... 125 °C
---------------------------------	-------------------

Electrical characteristics

Note	For HEAVYCON-ADVANCE mounting flange and HEAVYCON panel mounting base of B24 type
Number of positions	64
Connection in acc. with standard	IEC / EN
Rated voltage (III/3)	250 V
Rated surge voltage	4 kV
Rated current	10 A

Mechanical characteristics

Design	B24
Connection method	Screw connection
Tightening torque	0.5 Nm ... 0.8 Nm
Stripping length of the individual wire	10 mm
Conductor cross section	0.2 mm ² ... 2.5 mm ²
Connection cross section AWG	22 ... 12

General

Contact material	Copper alloy
Contact surface material	Ag
Contact carrier material	PA

Terminal adapter - HC-D 64-A-UT-PER-F - 1584321

Technical data

General

Pollution degree	3
Surge voltage category	III
Inflammability class according to UL 94	V0
Connection in acc. with standard	IEC / EN
Assembly instructions	Connectors may be operated only when there is no load/voltage.
Installation instructions	Not for HC-B 24-AMQ-EMV housings

classifications

eCl@ss

eCl@ss 4.0	27140816
eCl@ss 4.1	27140816
eCl@ss 5.0	27143424
eCl@ss 5.1	27143424
eCl@ss 6.0	27143424
eCl@ss 7.0	27440205
eCl@ss 8.0	27440205

ETIM

ETIM 3.0	EC000438
ETIM 4.0	EC000438
ETIM 5.0	EC000438

UNSPSC

UNSPSC 6.01	30211923
UNSPSC 7.0901	39121522
UNSPSC 11	39121522
UNSPSC 12.01	39121522
UNSPSC 13.2	39121522

accessories

Mounting material

HC-KA-FE - 1775240



Terminal adapter - HC-D 64-A-UT-PER-F - 1584321

accessories

HC-VSH - 1660083



HC-B-PES - 1604997



HC-B-3PE - 1644326



Coding element

HC-CST - 1676857



HC-CBU - 1676860



Terminal adapter - HC-D 64-A-UT-PER-F - 1584321

accessories

HC-CB - 1772722



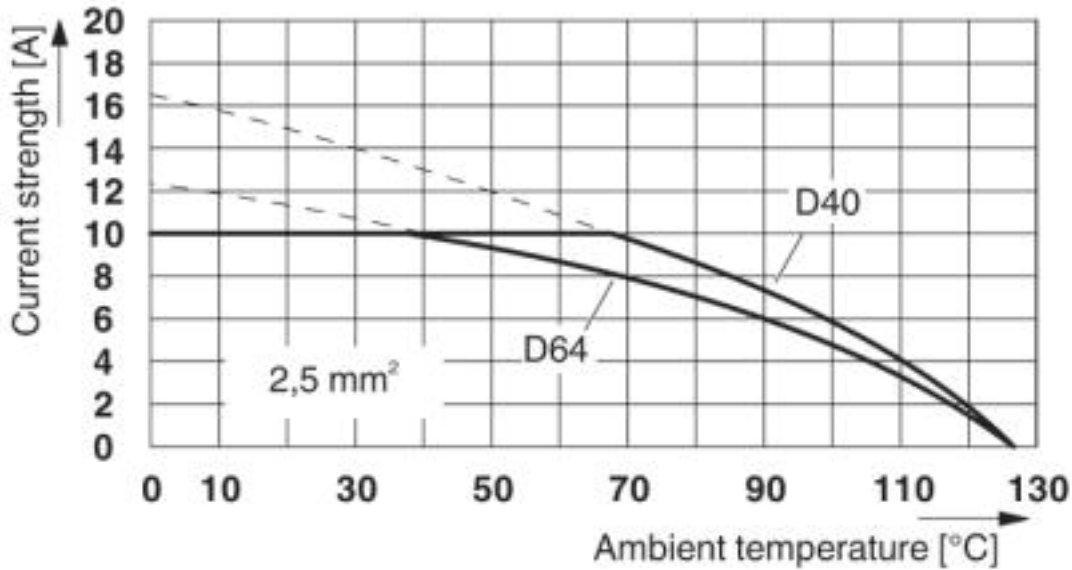
Terminal marking

ZB 5 :UNBEDRUCKT - 1050004



Drawings

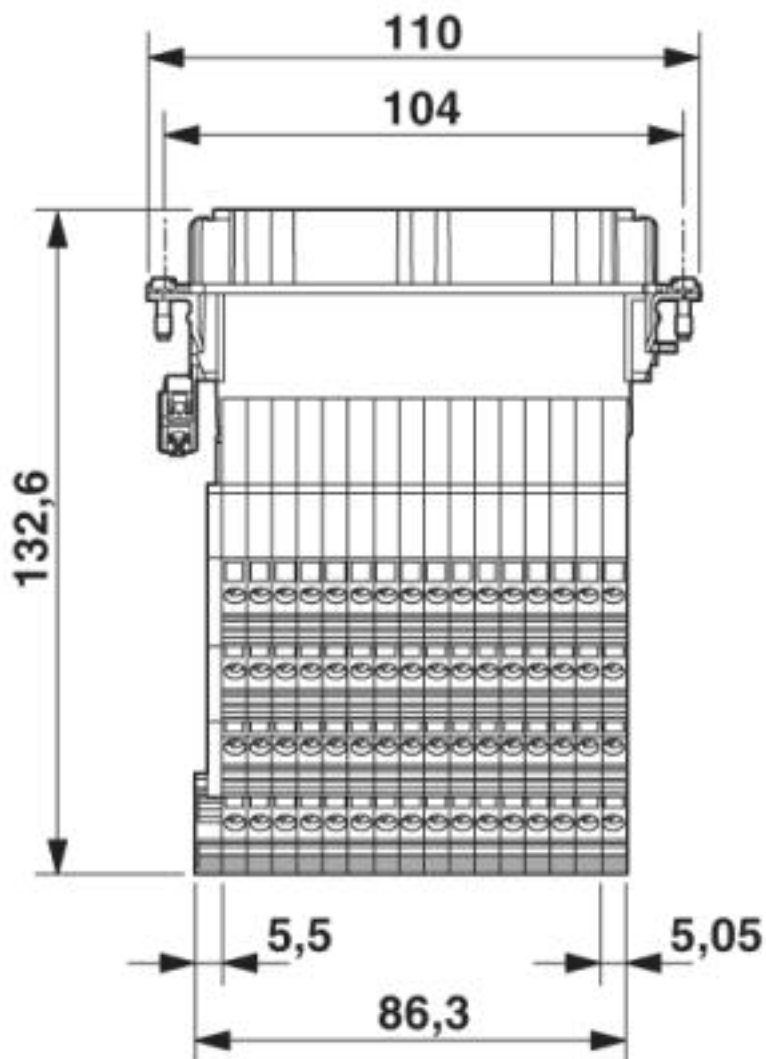
Diagram



Derating diagram for 2.5 mm²

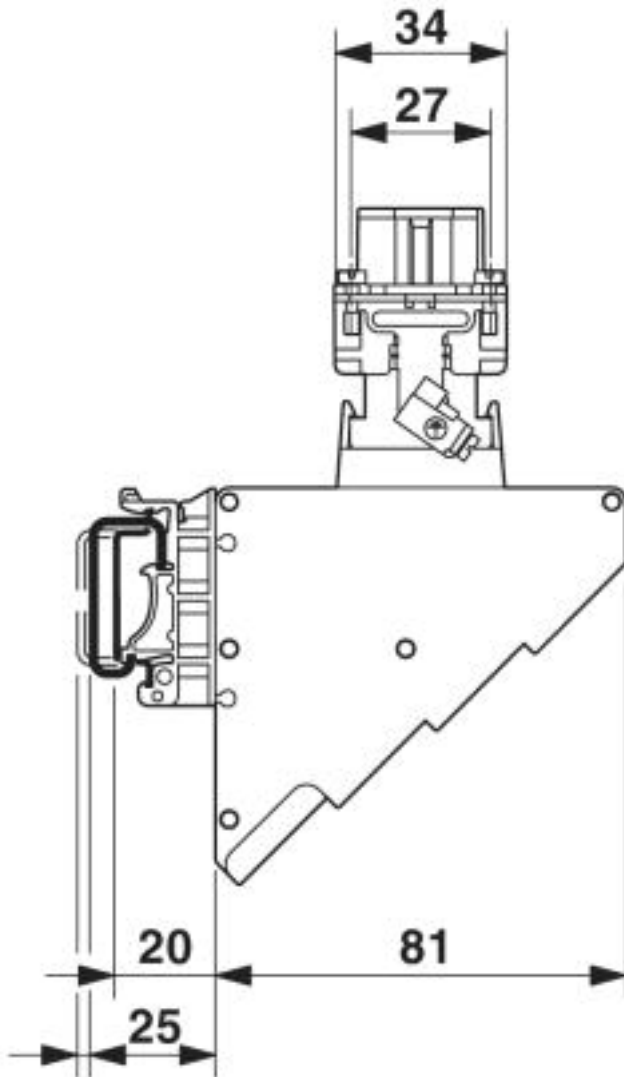
Terminal adapter - HC-D 64-A-UT-PER-F - 1584321

Dimensioned drawing



Terminal adapter - HC-D 64-A-UT-PER-F - 1584321

Dimensioned drawing



Dimensional drawing, side view

© Phoenix Contact 2013 - all rights reserved
<http://www.phoenixcontact.com>