

# Terminal adapter - HC-B 10-A-DT-PEL-M - 1648403

Please be informed that the data shown in this PDF Document is generated from our Online Catalog. Please find the complete data in the user's documentation. Our General Terms of Use for Downloads are valid (<http://download.phoenixcontact.com>)



HEAVYCON terminal adapter, pin insert, B10 series, 10-pos., for the left side of the control cabinet, push-in connection

## Key commercial data

|                         |               |
|-------------------------|---------------|
| <b>package_quantity</b> | 5             |
| <b>GTIN</b>             | 4046356092128 |

## Technical data

### Dimensions

|  |         |
|--|---------|
| <b>Drill hole distance, horizontal</b> | 57 mm   |
| <b>Height</b>                          | 70.5 mm |

### Ambient conditions

|  |                   |
|--|-------------------|
| <b>Ambient temperature (operation)</b> | -40 °C ... 125 °C |
|--|-------------------|

### Electrical characteristics

|                              |   |
|------------------------------|---|
| <b>Note</b>                  | For HEAVYCON-ADVANCE mounting flange and HEAVYCON panel mounting base of B10 type |
| <b>Number of positions</b>   | 10  |
| <b>Rated voltage (III/3)</b> | 500 V   |
| <b>Rated surge voltage</b>   | 6 kV  |
| <b>Rated current</b>         | 16 A  |

### Mechanical characteristics

|  |   |
|--|---|
| <b>Design</b>                                  | B10   |
| <b>Connection method</b>                       | Push-in connection                          |
| <b>Stripping length of the individual wire</b> | 10 mm (13 mm if ferrules are used)          |
| <b>Conductor cross section</b>                 | 0.5 mm <sup>2</sup> ... 2.5 mm <sup>2</sup> |
| <b>Connection cross section AWG</b>            | 22 ... 12                                   |

### General

|                                 |              |
|---------------------------------|--------------|
| <b>Contact material</b>         | Copper alloy |
| <b>Contact surface material</b> | Ag           |
| <b>Contact carrier material</b> | PA           |
| <b>Pollution degree</b>         | 3            |
| <b>Surge voltage category</b>   | III          |

# Terminal adapter - HC-B 10-A-DT-PEL-M - 1648403

## Technical data

### General

|  |   |
|--|---|
| <b>Inflammability class according to UL 94</b> | V0  |
| <b>Assembly instructions</b>                   | 1) Insert ferrules. 0.5 mm <sup>2</sup> ... 2.5 mm <sup>2</sup> with insulating collar, length 10 mm, stripping length 13 mm, 2) Screwdriver SZF0-0,4x2,5 (similar to DIN 5264) |
| <b>Installation instructions</b>               | Connectors may be plugged in only when there is no load/voltage.  |

## classifications

### eCl@ss

|                   |          |
|-------------------|----------|
| <b>eCl@ss 4.0</b> | 27140816 |
| <b>eCl@ss 4.1</b> | 27140816 |
| <b>eCl@ss 5.0</b> | 27143424 |
| <b>eCl@ss 5.1</b> | 27143424 |
| <b>eCl@ss 6.0</b> | 27143424 |
| <b>eCl@ss 7.0</b> | 27440209 |
| <b>eCl@ss 8.0</b> | 27440209 |

### ETIM

|                 |          |
|-----------------|----------|
| <b>ETIM 3.0</b> | EC000438 |
| <b>ETIM 4.0</b> | EC000438 |
| <b>ETIM 5.0</b> | EC000438 |


### UNSPSC

|                      |          |
|----------------------|----------|
| <b>UNSPSC 6.01</b>   | 30211923 |
| <b>UNSPSC 7.0901</b> | 39121522 |
| <b>UNSPSC 11</b>     | 39121522 |
| <b>UNSPSC 12.01</b>  | 39121522 |
| <b>UNSPSC 13.2</b>   | 39121522 |

## approvals

CSA / UL Recognized / cUL Recognized / cULus Recognized /

### Approval details

|   |       |
|---|-------|
|  |       |
| Nominal voltage UN  | 600 V |
| Nominal current IN  | 13 A  |
| mm <sup>2</sup> /AWG/kcmil  | 22-14 |

# Terminal adapter - HC-B 10-A-DT-PEL-M - 1648403

## approvals

|                            |       |
|----------------------------|-------|
| <b>UL Recognized</b>       |       |
| Nominal voltage UN         | 600 V |
| Nominal current IN         | 13 A  |
| mm <sup>2</sup> /AWG/kcmil | 22-14 |

|                            |       |
|----------------------------|-------|
| <b>cUL Recognized</b>      |       |
| Nominal voltage UN         | 600 V |
| Nominal current IN         | 13 A  |
| mm <sup>2</sup> /AWG/kcmil | 22-14 |

|                         |  |
|-------------------------|--|
| <b>cULus Recognized</b> |  |
|-------------------------|--|

## accessories

### Mounting material

HC-KA-FE - 1775240



HC-VSH - 1660083



## Terminal adapter - HC-B 10-A-DT-PEL-M - 1648403

accessories

HC-B-PES - 1604997



HC-B-3PE - 1644326



**Coding element**

CP-HC - 1686478



HC-CST - 1676857



HC-CBU - 1676860



## Terminal adapter - HC-B 10-A-DT-PEL-M - 1648403

accessories

HC-CB - 1772722



---

### Labeled terminal marker

ZBF-U CUS - 0828525



---

### Screwdriver tools

SZF 0-0,4X2,5 - 1204504



---

accessories

ZBF-U:SO/CMS - 0810779

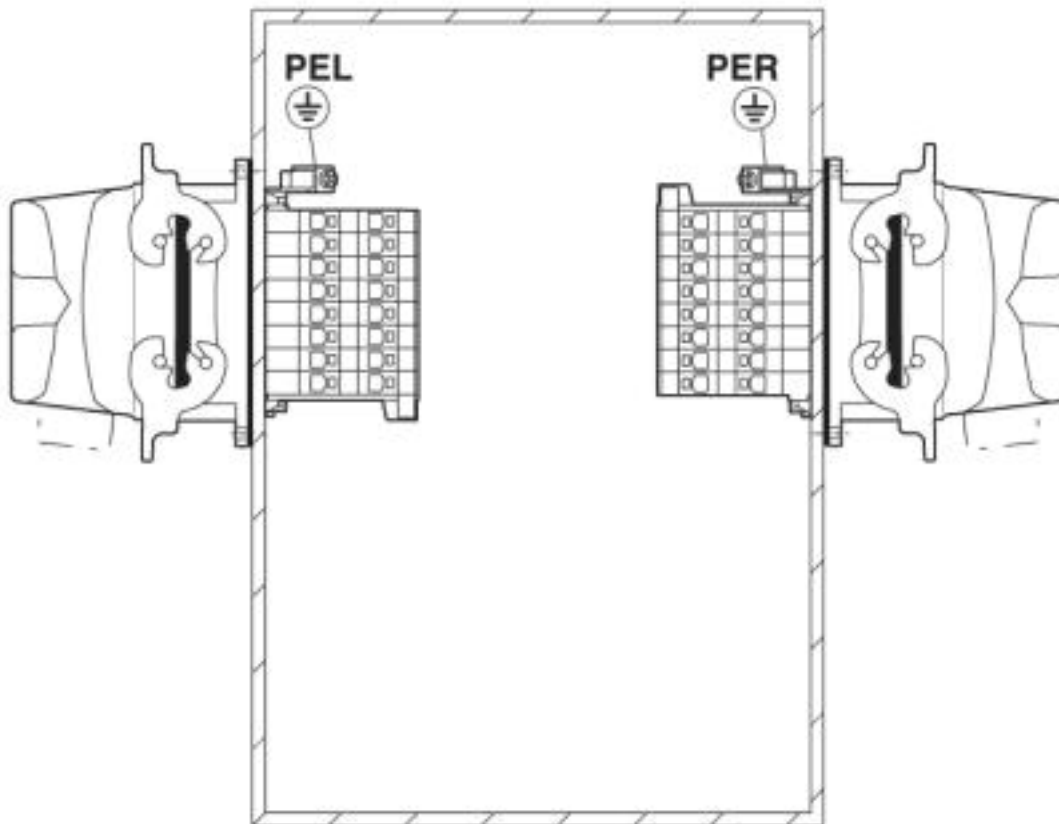


---

Drawings

# Terminal adapter - HC-B 10-A-DT-PEL-M - 1648403

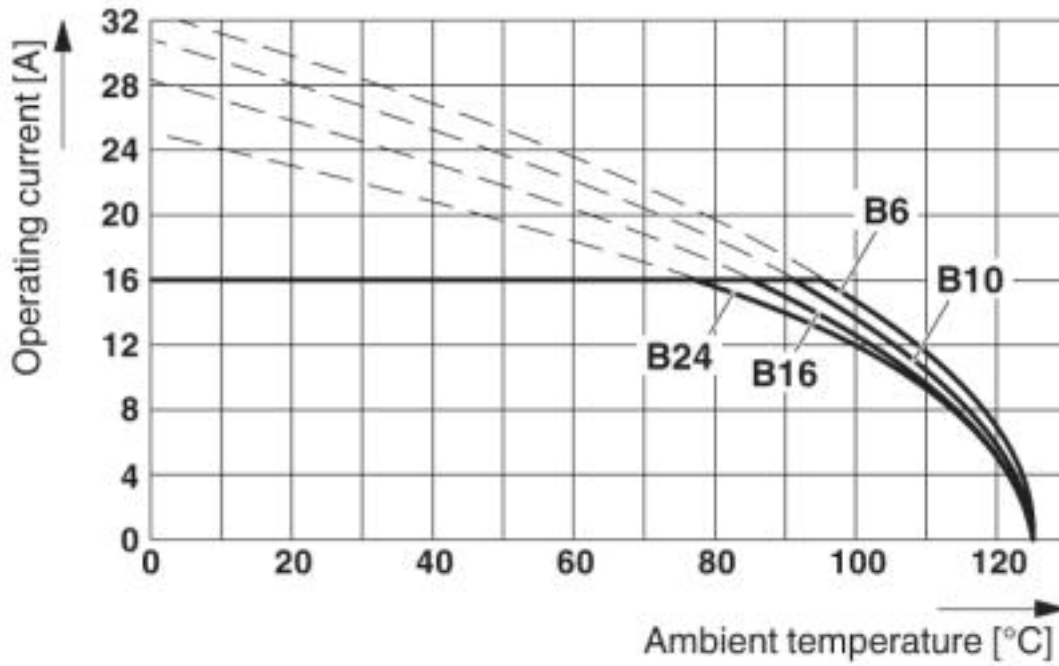
Application drawing



Mounting position PE connection left/right (PEL/PER)

# Terminal adapter - HC-B 10-A-DT-PEL-M - 1648403

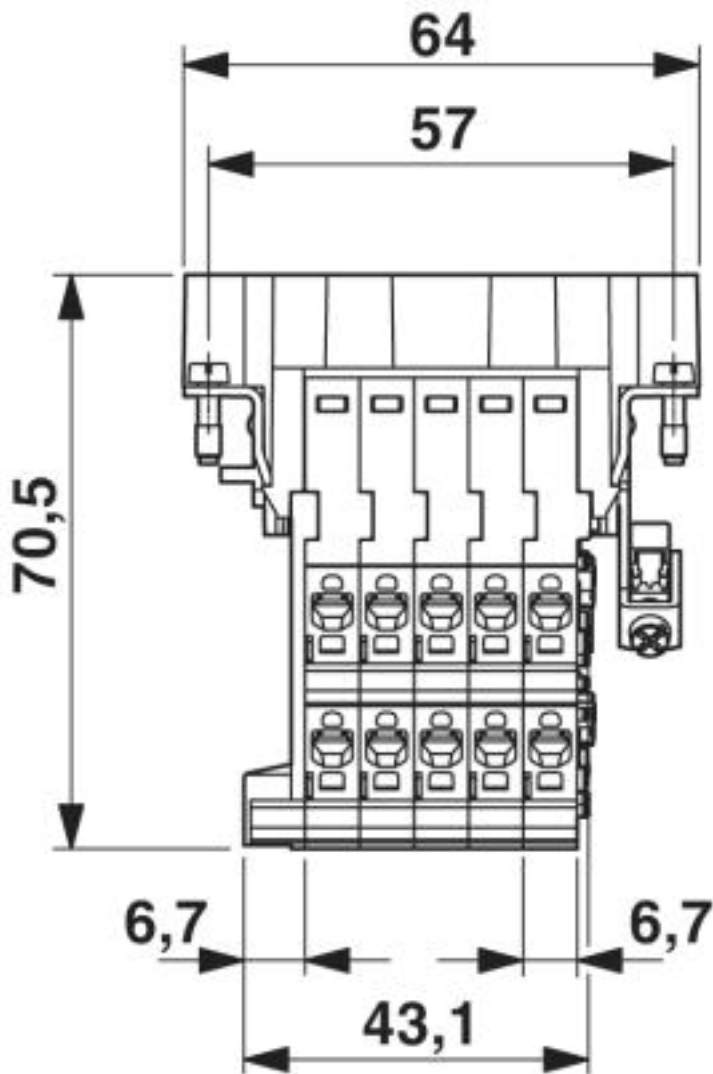
Diagram



Derating diagram

# Terminal adapter - HC-B 10-A-DT-PEL-M - 1648403

Dimensioned drawing

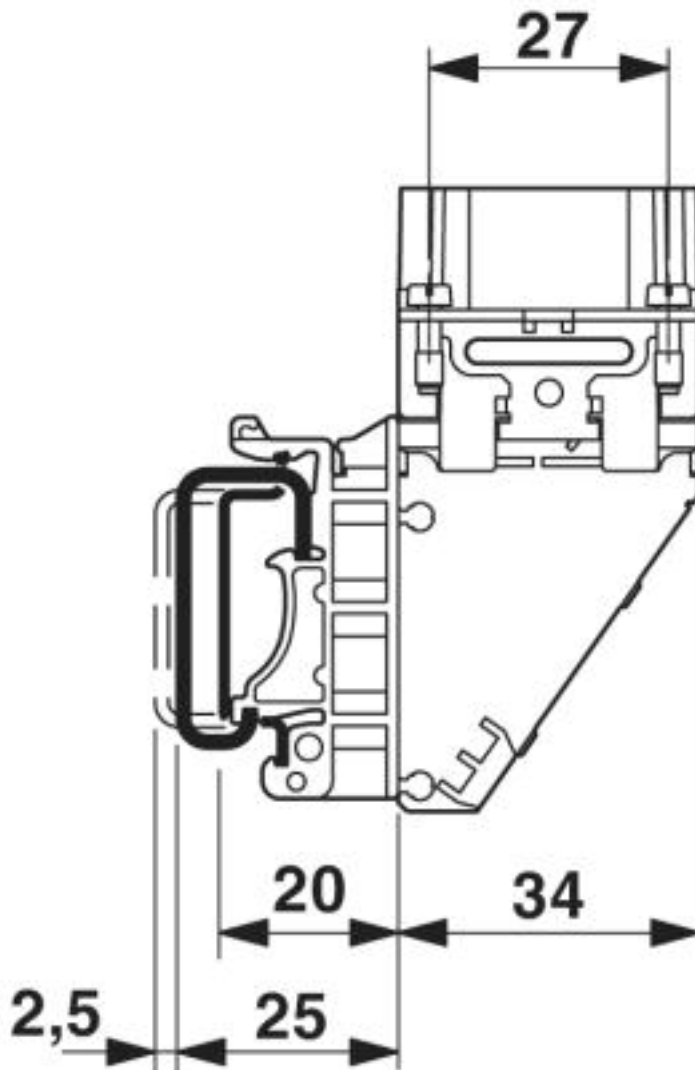


Dimensional drawing



# Terminal adapter - HC-B 10-A-DT-PEL-M - 1648403

Dimensioned drawing



Dimensional drawing, side view

© Phoenix Contact 2013 - all rights reserved  
<http://www.phoenixcontact.com>