

Bus system connector - SACC-M12MSD-4CON-PG 9-SH - 1521261

Please be informed that the data shown in this PDF Document is generated from our Online Catalog. Please find the complete data in the user's documentation. Our General Terms of Use for Downloads are valid (<http://download.phoenixcontact.com>)



Bus system connector, male, straight, 4-pos., M12, shielded, D-coded, screw connection, metal knurl, cable screw connection Pg9

Product Features

- Safe use in the field, thanks to a high degree of protection
- Flexible: connectors for on-site assembly
- Screw connection: proven connection technology for a large selection of different conductors
- Reliable signal transmission - 360° shielding in environments with electromagnetic interference



Ethernet

Key commercial data

package_quantity	1
GTIN	4017918968618

Technical data

Mechanical characteristics

Standards/specifications	M12 connector IEC 61076-2-101
Number of positions	4
Shielded	Yes
Insertion/withdrawal cycles	≥ 100
Connection method	Screw connection
Conductor cross section	0.25 mm ² ... 0.75 mm ²
Connection cross section AWG	24 ... 18

Ambient conditions

Ambient temperature (operation)	-40 °C ... 85 °C
Degree of protection	IP67

Material data

Inflammability class according to UL 94	HB
Contact carrier material	PA 66
Contact material	CuZn
Contact surface material	Au
Cable gland material	Nickel-plated brass

Bus system connector - SACC-M12MSD-4CON-PG 9-SH - 1521261

Technical data

Material data

Sealing material	NBR
-------------------------	-----

Electrical characteristics

Number of positions	4
Nominal voltage U_N	60 V
Nominal current I_N	4 A
Transmission characteristics (category)	CAT5 (IEC 11801:2002), CAT5e (TIA 568B:2001)
Surge voltage category	II
Pollution degree	3

classifications

eCl@ss

eCl@ss 4.0	27140815
eCl@ss 4.1	27140815
eCl@ss 5.0	27143423
eCl@ss 5.1	27143423
eCl@ss 6.0	27143423
eCl@ss 7.0	27449001
eCl@ss 8.0	27449001

ETIM

ETIM 2.0	EC001121
ETIM 3.0	EC002062
ETIM 4.0	EC002062
ETIM 5.0	EC002062

UNSPSC

UNSPSC 6.01	31251501
UNSPSC 7.0901	31251501
UNSPSC 11	31251501
UNSPSC 12.01	31251501
UNSPSC 13.2	31251501

approvals

GOST /

Approval details

Bus system connector - SACC-M12MSD-4CON-PG 9-SH - 1521261

approvals



accessories

Torque tool

TSD 04 SAC - 1208429



TSD-M 1,2NM - 1212224



Screwdriver tools

SACC BIT M12-D20 - 1208445



TSD-M SAC-BIT ADAPTER - 1212600



Protective cap

Bus system connector - SACC-M12MSD-4CON-PG 9-SH - 1521261

accessories

PROT-M12 FS-PA-CHAIN - 1430873



Data cable by the meter

VS-OE-OE-93E-100,0 - 1416295



VS-OE-OE-93B-100,0 - 1416389



VS-OE-OE-93C-100,0 - 1416376



VS-OE-OE-93R-100,0 - 1416363



Bus system connector - SACC-M12MSD-4CON-PG 9-SH - 1521261

accessories

VS-OE-OE-936-100,0 - 1416570



VS-OE-OE-93G-100,0 - 1419152



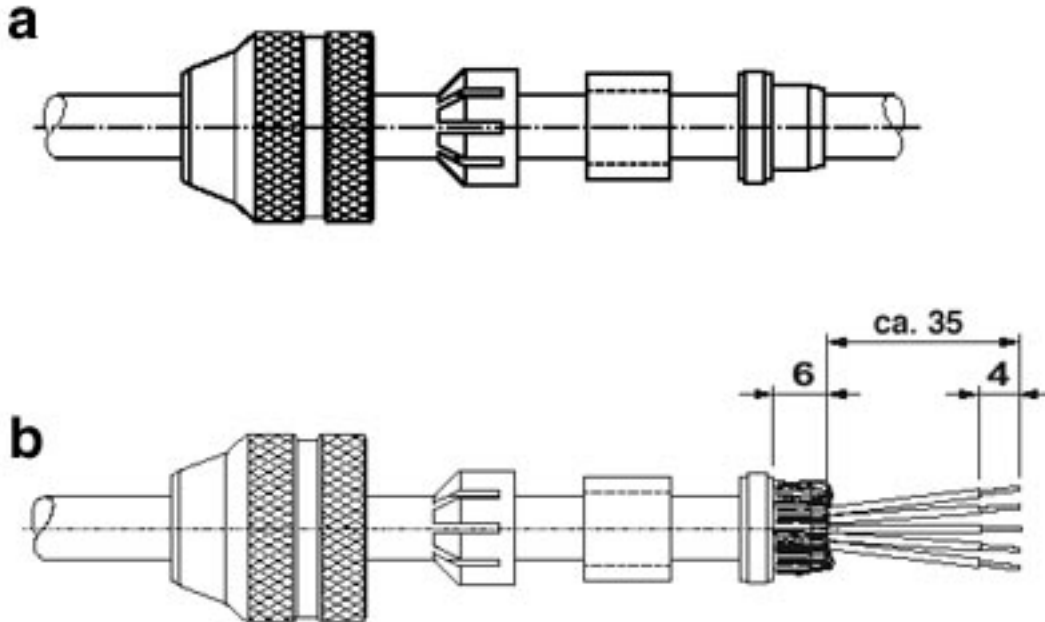
VS-OE-OE-93K-100,0 - 1419173



Drawings

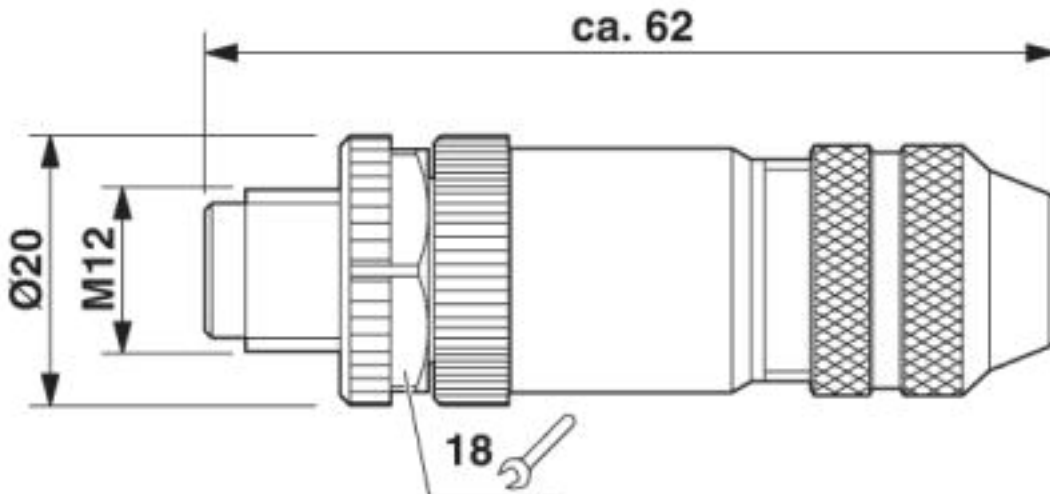
Bus system connector - SACC-M12MSD-4CON-PG 9-SH - 1521261

Functional drawing



Assembly steps for M12 male/female plug and conductors = Slide on parts b = Strip conductor, widen shield and lay around the shielding ring, cut off projecting mesh. Slide cores through the housing. Mount shielding ring, gasket and clamping cage. Tighten pressure screw to fix the cable. Screw down cores. Mount male/female part. Tighten pressure screw.

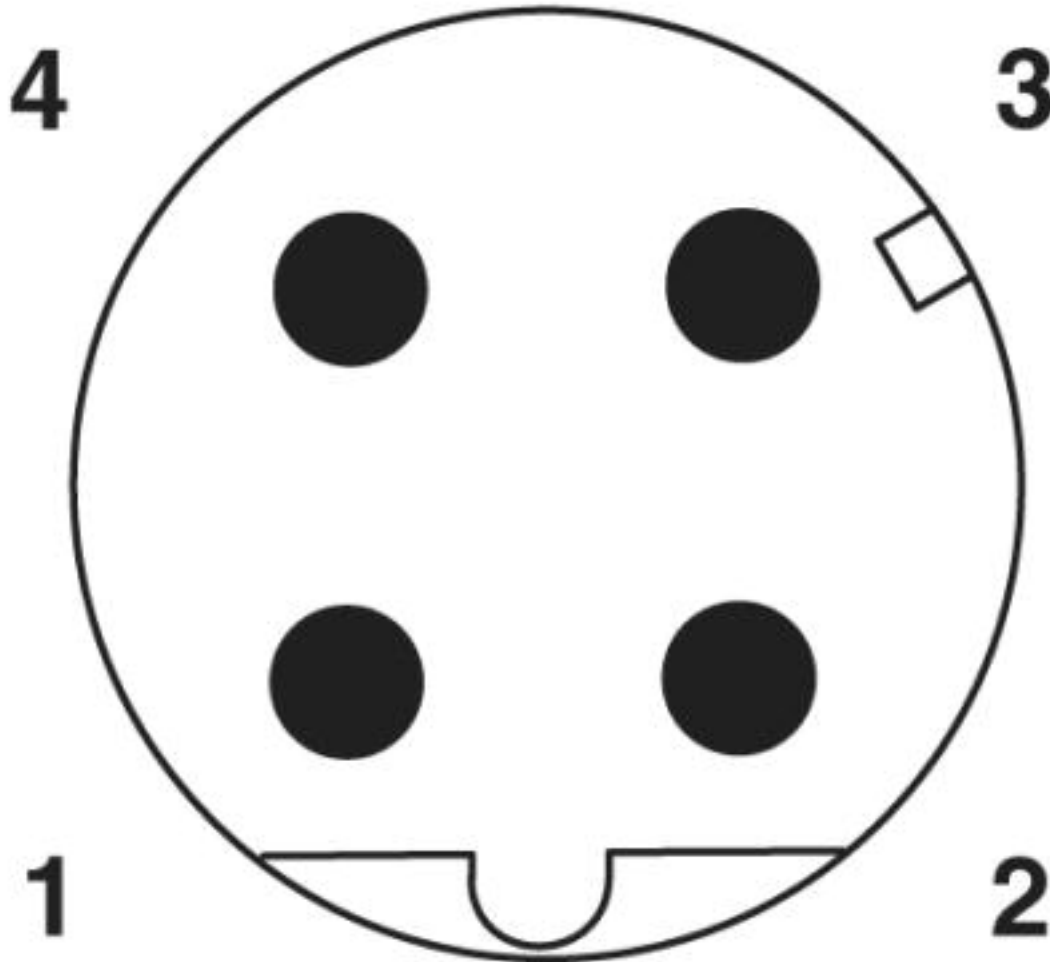
Dimensioned drawing



Plug, M12 x 1, straight, shielded

Bus system connector - SACC-M12MSD-4CON-PG 9-SH - 1521261

Schematic diagram



Pin assignment M12 male connector, 4-pos., D-coded, male side

© Phoenix Contact 2013 - all rights reserved
<http://www.phoenixcontact.com>