

Crimp contact - CK1,0-ED-0,5ST AU - 1409121

Please be informed that the data shown in this PDF Document is generated from our Online Catalog. Please find the complete data in the user's documentation. Our General Terms of Use for Downloads are valid (<http://download.phoenixcontact.com>)



Turned 1.0 mm crimp contact, single male contact, conductor cross section 0.14 - 0.5 mm², gold-plated

Key commercial data

package_quantity	100
GTIN	4046356619387

Technical data

General

Note	For HC-MOT-AFL-SET
Connection method	Crimp connection
Insertion/withdrawal cycles	≥ 100
Conductor cross section	0.14 mm ² ... 0.5 mm ²
Connection cross section AWG	26 ... 20
Stripping length of the individual wire	4.5 mm

Ambient conditions

Ambient temperature (operation)	-40 °C ... 125 °C
--	-------------------

Material data

Contact material	Copper alloy
Contact surface material	Gold-plated

classifications

eCl@ss

eCl@ss 4.0	272607xx
eCl@ss 4.1	27260701
eCl@ss 5.0	27143424
eCl@ss 5.1	27143424
eCl@ss 6.0	27143424
eCl@ss 7.0	27440209
eCl@ss 8.0	27440209

ETIM

ETIM 4.0	EC000796
-----------------	----------

Crimp contact - CK1,0-ED-0,5ST AU - 1409121

classifications

ETIM

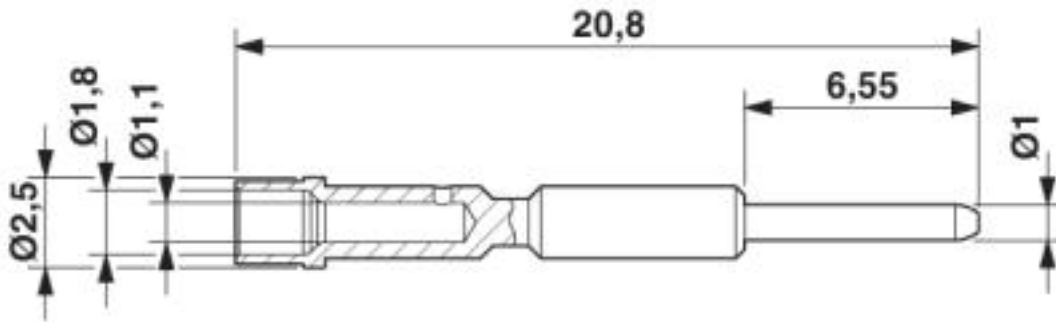
ETIM 5.0	EC000796
-----------------	----------

UNSPSC

UNSPSC 6.01	31261502
UNSPSC 7.0901	31261502
UNSPSC 11	31261502
UNSPSC 12.01	31261502
UNSPSC 13.2	31261502

Drawings

Dimensioned drawing



Dimensional drawing

© Phoenix Contact 2013 - all rights reserved
<http://www.phoenixcontact.com>