

Shield connection terminal block - SKS 8 - 3240210

Please be informed that the data shown in this PDF Document is generated from our Online Catalog. Please find the complete data in the user's documentation. Our General Terms of Use for Downloads are valid (<http://download.phoenixcontact.com>)



Shield connection terminal block, for applying the shield to busbars

Product Features

- The SKS ... spring shield connection clamps are available for cable and conductor diameters of 3 to 20 mm
- According to the requirements of the directive and standards for electrical equipment in potentially explosive areas, as components, shield connections are not able to gain certification. As such, shield connection clamps of type SKS can be used in the Ex area even without appropriate approval and identification.
- The SKS ... spring shield connection clamps are available for cable and conductor diameters of 3 to 20 mm
- Three different mounting types supported: on NS 35 DIN rails, on busbars or directly on conductive mounting plates

Key commercial data

| | |
|-------------------------|---------------|
| package_quantity | 10 |
| GTIN | 4046356458658 |

Technical data

General

| | |
|------------------------------|--------|
| Number of levels | 1 |
| Number of connections | 1 |
| Color | silver |

Dimensions

| | |
|---------------|---------|
| Length | 18 mm |
| Width | 12.4 mm |

Connection data

| | |
|---|-------------------|
| Conductor cross section solid min. | 3 mm ² |
| Conductor cross section solid max. | 8 mm ² |
| Conductor cross section stranded min. | 3 mm ² |
| Conductor cross section stranded max. | 8 mm ² |
| Conductor cross section AWG/kcmil min. | 12 |
| Conductor cross section AWG/kcmil max | 8 |
| Connection method | Spring-cage |

classifications

eCl@ss

Shield connection terminal block - SKS 8 - 3240210

classifications

eCl@ss

| | |
|------------|----------|
| eCl@ss 4.0 | 27141131 |
| eCl@ss 4.1 | 27141131 |
| eCl@ss 5.0 | 27141131 |
| eCl@ss 5.1 | 27141131 |
| eCl@ss 6.0 | 27141150 |
| eCl@ss 7.0 | 27141150 |
| eCl@ss 8.0 | 27141150 |

ETIM

| | |
|----------|----------|
| ETIM 2.0 | EC000897 |
| ETIM 3.0 | EC000897 |
| ETIM 4.0 | EC000001 |
| ETIM 5.0 | EC002020 |

UNSPSC

| | |
|---------------|----------|
| UNSPSC 6.01 | 30211811 |
| UNSPSC 7.0901 | 39121410 |
| UNSPSC 11 | 39121410 |
| UNSPSC 12.01 | 39121410 |
| UNSPSC 13.2 | 39121410 |

approvals

GOST /

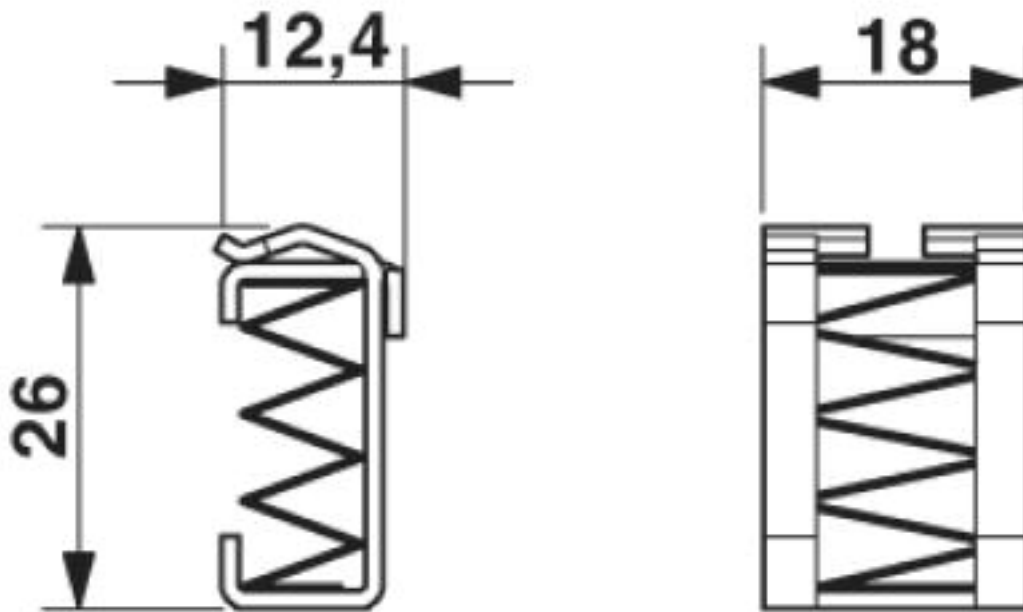
Approval details

| |
|--|
| |
|--|

Drawings

Shield connection terminal block - SKS 8 - 3240210

Dimensioned drawing



© Phoenix Contact 2013 - all rights reserved
<http://www.phoenixcontact.com>