

Contact insert - HC-B 24-EBUQ-2,5 - 1605585

Please be informed that the data shown in this PDF Document is generated from our Online Catalog. Please find the complete data in the user's documentation. Our General Terms of Use for Downloads are valid (<http://download.phoenixcontact.com>)



HEAVYCON female insert, B24 series, 24-pos., QUICKON-connection

Product Description

With the QUICKON connection method, the wires are connected with a simple levering action of the screwdriver. The wire does not need to be stripped before connection! This saves at least 60% connection time!

Key commercial data

| | |
|------------------|---------------|
| package_quantity | 10 |
| GTIN | 4017918940676 |

Technical data

General

| | |
|---|---|
| Note | For HEAVYCON ADVANCE and HEAVYCON housing of B24 type. Coding using the CP-HC (1686478) coding profile. HC-B6.../ HC-B10... for two coding profiles. HC-B16.../ HC-B24... for 4 coding profiles. Connectors may be operated only when there is no load/voltage. |
| Connection method | QUICKON connection |
| Pollution degree | 3 |
| Surge voltage category | III |
| Number of positions | 24+PE |
| Insertion/withdrawal cycles | ≥ 500 |
| Design | B24 |
| Conductor cross section | 0.34 mm ² ... 2.5 mm ² |
| Connection cross section AWG | 22 ... 14 |
| Wire diameter including insulation | 1 mm ... 3.5 mm |
| Frequency of connections between conductors of the same cross section | 10 |
| Assembly instructions | If the conductor is to be reconnected, it must be cut off above the last contact point. |
| Connection | For housings of type B16/B32. Connectors may only be actuated when there is no load/voltage. |

Ambient conditions

| | |
|---------------------------------|--|
| Ambient temperature (operation) | -40 °C ... 125 °C (including heating up of contacts) |
| Ambient temperature (assembly) | -25 °C ... 50 °C |

Contact insert - HC-B 24-EBUQ-2,5 - 1605585

Technical data

Material data

| | |
|--|--------------|
| Inflammability class according to UL 94 | V0 |
| Contact material | Copper alloy |
| Contact surface material | Ag |
| Contact carrier material | PA |
| Material wire insulation | PVC / PE |

Electrical characteristics

| | |
|------------------------------|-------|
| Rated voltage (III/3) | 400 V |
| Rated surge voltage | 6 kV |
| Rated current | 16 A |

classifications

eCl@ss

| | |
|-------------------|----------|
| eCl@ss 4.0 | 27140816 |
| eCl@ss 4.1 | 27140816 |
| eCl@ss 5.0 | 27143424 |
| eCl@ss 5.1 | 27143424 |
| eCl@ss 6.0 | 27143424 |
| eCl@ss 7.0 | 27440209 |
| eCl@ss 8.0 | 27440209 |

ETIM

| | |
|-----------------|----------|
| ETIM 2.0 | EC000437 |
| ETIM 3.0 | EC000437 |
| ETIM 4.0 | EC000438 |
| ETIM 5.0 | EC000438 |

UNSPSC

| | |
|----------------------|----------|
| UNSPSC 6.01 | 30211923 |
| UNSPSC 7.0901 | 39121522 |
| UNSPSC 11 | 39121522 |
| UNSPSC 12.01 | 39121522 |
| UNSPSC 13.2 | 39121522 |

approvals

CSA / UL Recognized / cUL Recognized / cULus Recognized /

Approval details

Contact insert - HC-B 24-EBUQ-2,5 - 1605585

approvals

| | |
|----------------------------|-------|
| CSA | |
| Nominal voltage UN | 600 V |
| Nominal current IN | 10 A |
| mm ² /AWG/kcmil | 16 |

| | |
|----------------------------|-------|
| UL Recognized | |
| Nominal voltage UN | 600 V |
| Nominal current IN | 10 A |
| mm ² /AWG/kcmil | 16-14 |

| | |
|----------------------------|-------|
| cUL Recognized | |
| Nominal voltage UN | 600 V |
| Nominal current IN | 10 A |
| mm ² /AWG/kcmil | 16-14 |

| | |
|-------------------------|--|
| cULus Recognized | |
|-------------------------|--|

accessories

Coding element

CP-HC - 1686478



Contact insert - HC-B 24-EBUQ-2,5 - 1605585

accessories

HC-CST - 1676857



HC-CBU - 1676860



HC-CB - 1772722



Mounting material

HC-B-PES - 1604997



HC-B-3PE - 1644326



Contact insert - HC-B 24-EBUQ-2,5 - 1605585

accessories

HC-B-ZG - 1685327



HC-B-ZS - 1685330



Plug assembly frame

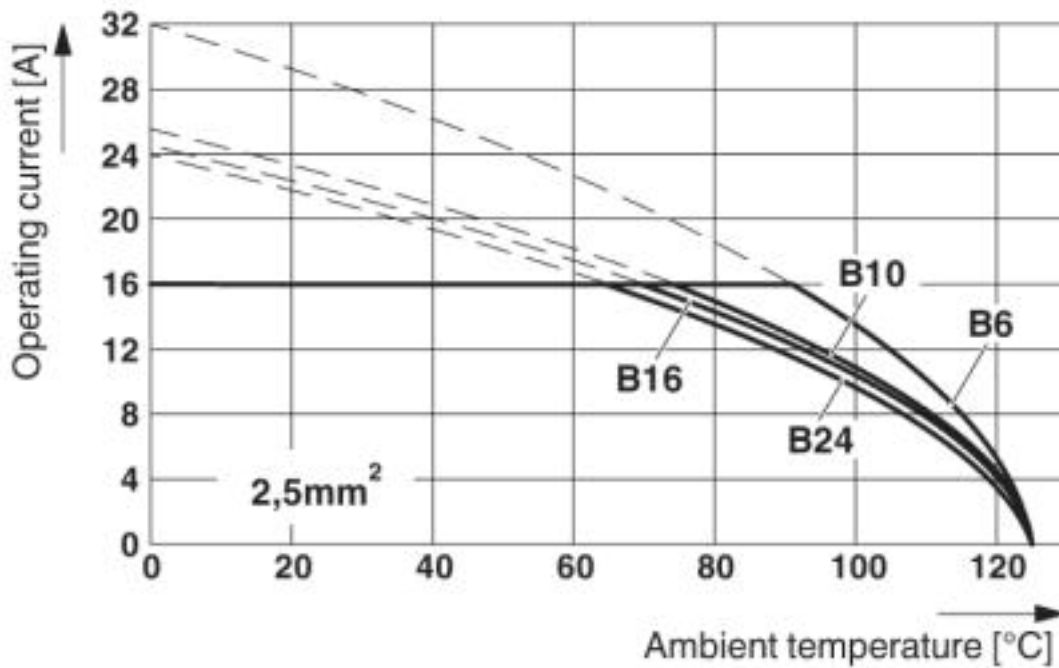
HC-SMR-B24 - 1687985



Drawings

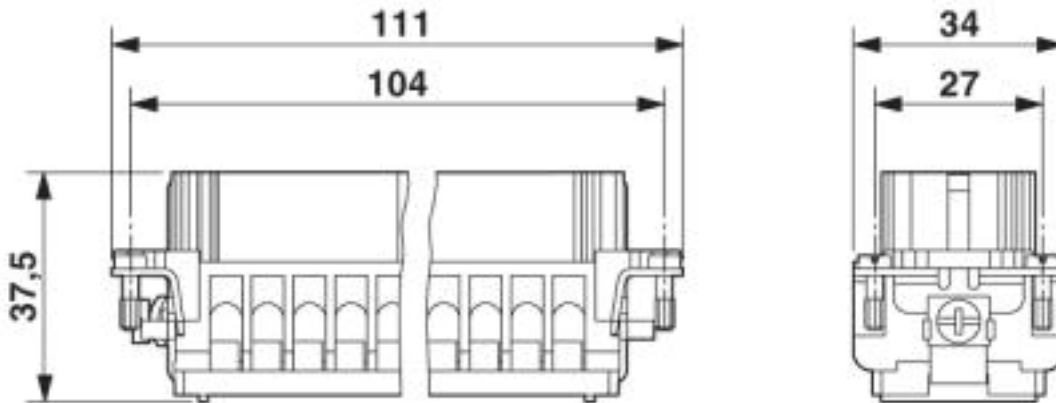
Contact insert - HC-B 24-EBUQ-2,5 - 1605585

Diagram



The illustration shows the derating diagram of various series B contact inserts (B6 to B24), conductor cross section 2.5 mm²

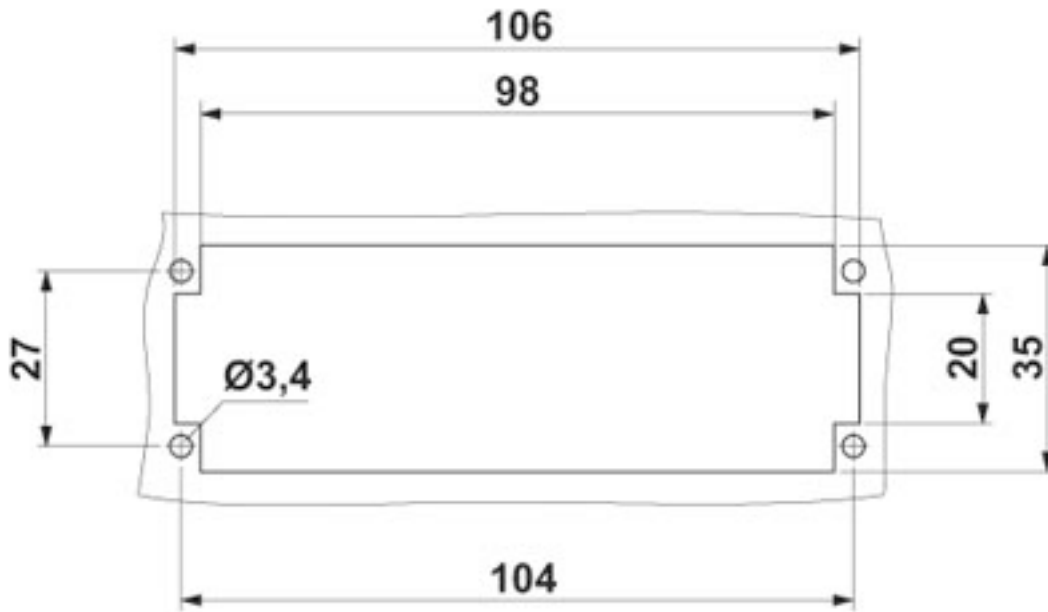
Dimensioned drawing



Female insert

Contact insert - HC-B 24-EBUQ-2,5 - 1605585

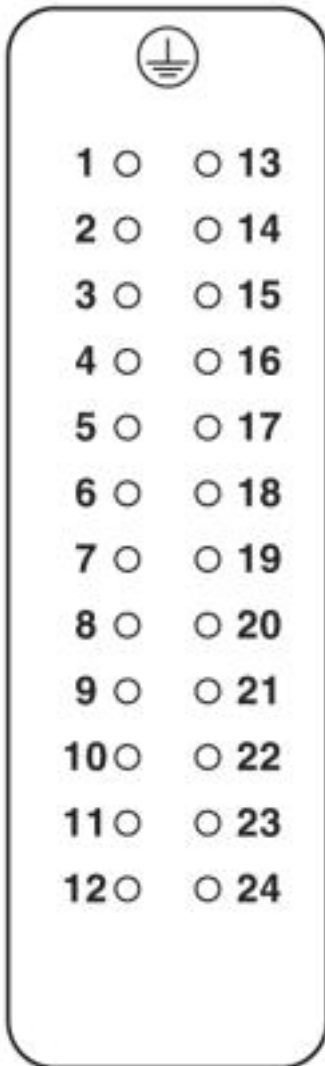
Dimensioned drawing



Panel cutout

Contact insert - HC-B 24-EBUQ-2,5 - 1605585

Schematic diagram



Connector pin assignment, connection side

© Phoenix Contact 2013 - all rights reserved
<http://www.phoenixcontact.com>