

# Sensor/actuator box - SACB-4/ 8-C SCO P - 1452754

Please be informed that the data shown in this PDF Document is generated from our Online Catalog. Please find the complete data in the user's documentation. Our General Terms of Use for Downloads are valid (<http://download.phoenixcontact.com>)



Sensor/actuator box, Connection method: M12-SPEEDCON-socket Plastic, Number of slots: 4, Number of positions: 5, Slot assignment: Double, Status indication: No, Universal; Master cable connection: Pluggable screw connection 180°, Shielding: No

Figure shows version with diagnostic and status indicator

## Product Features

- Safety in the field, thanks to molded housing and high degree of protection
- Flexible, distributed bundling of signals in one master cable
- Save space: distributor box with double occupancy for two sensors in one slot
- Save time, thanks to installation with SPEEDCON rapid interlock system
- Flexible: distributor box with connector hood for on-site assembly



## Key commercial data

package_quantity	1
GTIN	4046356553490

## Technical data

### General

Rated voltage	120 V
Current carrying capacity per I/O signal	2 A
Current carrying capacity per slot	4 A
Total rated current	10 A
Number of positions	5
Number of slots	4
Inflammability class according to UL 94	V0
Sensor/actuator connection system	M12-SPEEDCON-socket

### Ambient conditions

Degree of protection	IP65
Degree of protection	IP67
Ambient temperature (operation)	-25 °C ... 80 °C

### Master cable data/connection data

Connection method	Pluggable screw connection
-------------------	----------------------------

## Sensor/actuator box - SACB-4/ 8-C SCO P - 1452754

### Technical data

#### Master cable data/connection data

Conductor cross section min. (signal)	0.14 mm <sup>2</sup>
Conductor cross section max. (signal)	1.5 mm <sup>2</sup>
Conductor cross section AWG min. (signal)	26
Conductor cross section AWG max. (signal)	16
Stripping length (signal)	7 mm
Conductor cross section min. (energy)	0.14 mm <sup>2</sup>
Conductor cross section max. (energy)	1.5 mm <sup>2</sup>
Conductor cross section AWG min. (energy)	26
Conductor cross section AWG max. (energy)	16
External cable diameter min.	7 mm
External cable diameter max.	12 mm
Stripping length	50 mm (Master cable)
Tightening torque, cover screw	1 Nm
Tightening torque, union nut	2.5 Nm
Tightening torque slot sensor/actuator cable	0.4 Nm
Tightening torque screw plug	0.4 Nm

#### Insulation material

Housing material	PBT
Material of the moulding mass	PUR
Contact material	Cu alloy
Contact surface material	Gold-plated
Contact carrier material	PA
Material of contact, master cable side	CU alloy
Material of contact surface, master cable side	Sn
Material of the contact carrier on the master cable side	PA
Material of threaded sleeve	PBT
Material, O-ring	NBR
Sealing material	NBR (Connector hood)

#### Pin assignment

Slot/position = Wire color or connection	1 / 4 (A) = WH
Slot/position = Wire color or connection	1 / 2 (B) = GY/PK
Slot/position = Wire color or connection	2 / 4 (A) = GN
Slot/position = Wire color or connection	2 / 2 (B) = RD/BU
Slot/position = Wire color or connection	3 / 4 (A) = YE
Slot/position = Wire color or connection	3 / 2 (B) = WH/GN
Slot/position = Wire color or connection	4 / 4 (A) = GY
Slot/position = Wire color or connection	4 / 2 (B) = BN/GN
Slot/position = Wire color or connection	1-4 / 1 (+ 120 V) = BN
Slot/position = Wire color or connection	1-4 / 3 (0 V) = BU
Slot/position = Wire color or connection	1-4 / 5 (PE) = GN/YE

# Sensor/actuator box - SACB-4/ 8-C SCO P - 1452754

## classifications

### eCl@ss

eCl@ss 4.0	27140815
eCl@ss 4.1	27140815
eCl@ss 5.0	27143423
eCl@ss 5.1	27143423
eCl@ss 6.0	27279219
eCl@ss 7.0	27279219
eCl@ss 8.0	27279219

### ETIM

ETIM 4.0	EC002585
ETIM 5.0	EC002585


### UNSPSC


UNSPSC 6.01	31261501
UNSPSC 7.0901	31261501
UNSPSC 11	31261501
UNSPSC 12.01	31261501
UNSPSC 13.2	31261501

## approvals

UL Recognized / cUL Recognized / GOST / cULus Recognized /

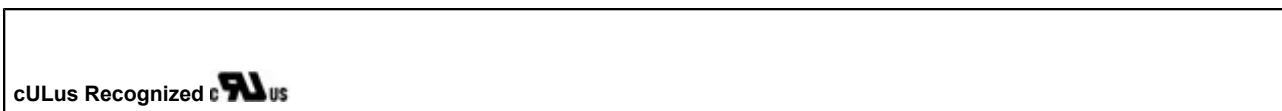
### Approval details

<b>UL Recognized</b> 	
Nominal voltage UN	120 V
Nominal current IN	
mm <sup>2</sup> /AWG/kcmil	

<b>cUL Recognized</b> 	
Nominal voltage UN	120 V
Nominal current IN	
mm <sup>2</sup> /AWG/kcmil	

# Sensor/actuator box - SACB-4/ 8-C SCO P - 1452754

approvals



accessories

## Protective cap

PROT-MS SCO - 1553129



---

## Device marking

SS-ZB 17,5 WH - 0804963



SS-ZB 17,5 YE - 0804976



---

## Labeled device marker

SS-ZB 17,5 WH CUS - 0824468



## Sensor/actuator box - SACB-4/ 8-C SCO P - 1452754

accessories

---

SS-ZB 17,5 YE CUS - 0824469



---

### Torque tool

TSD 04 SAC - 1208429



---

TSD-M 1,2NM - 1212224



---

TSD 25 SAC - 1212315



---

TSD-M 3NM - 1212225



---

### Screwdriver tools

## Sensor/actuator box - SACB-4/ 8-C SCO P - 1452754

### accessories

SACC BIT M12-D20 - 1208445



---

SZK PZ2 VDE - 1206463



---

SAC BIT HOOD-W 24 - 1212486



---

TSD-M SAC-BIT ADAPTER - 1212600



---

### Cable by the meter

SACB- 8X0,5/ 3X1,0-50,0 PUR - 1503357



# Sensor/actuator box - SACB-4/ 8-C SCO P - 1452754

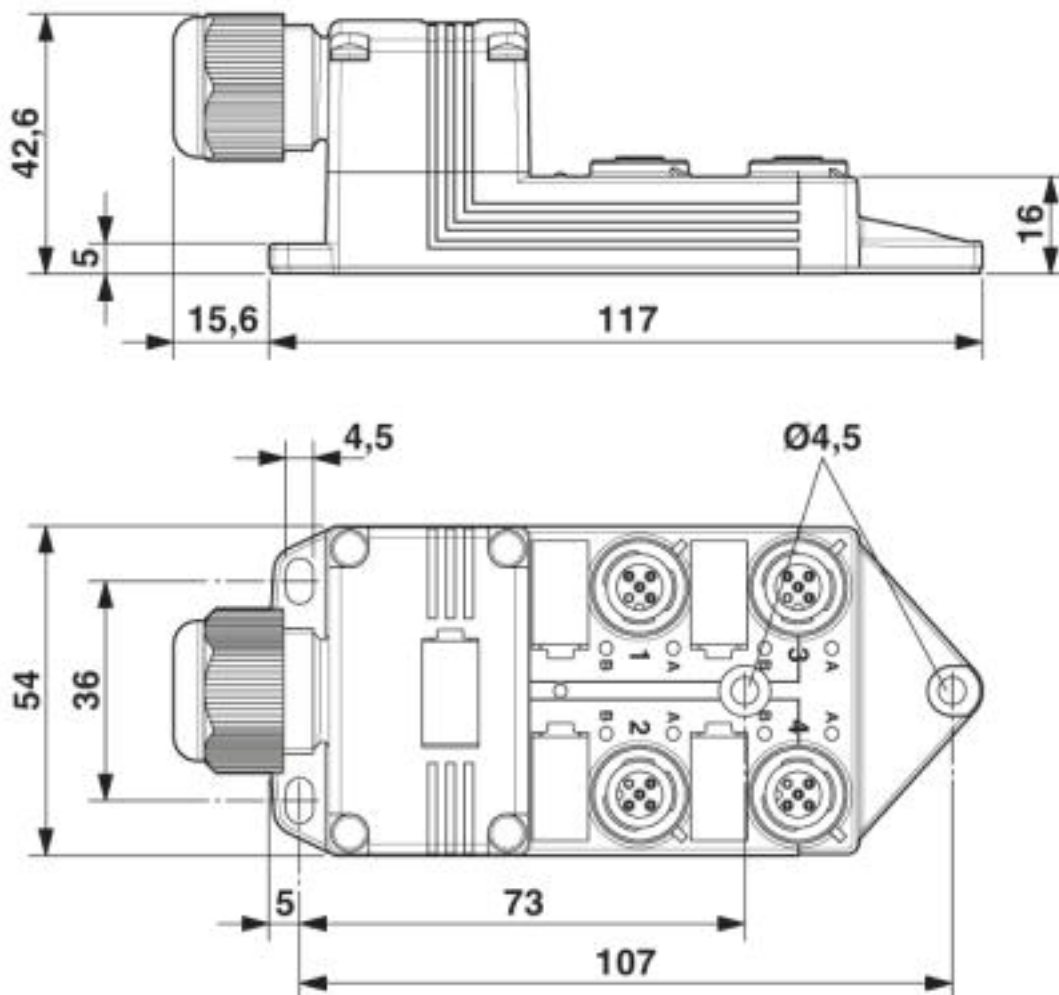
accessories

SACB-8X0,5/3X1,0-50,0 HPUR - 1401690



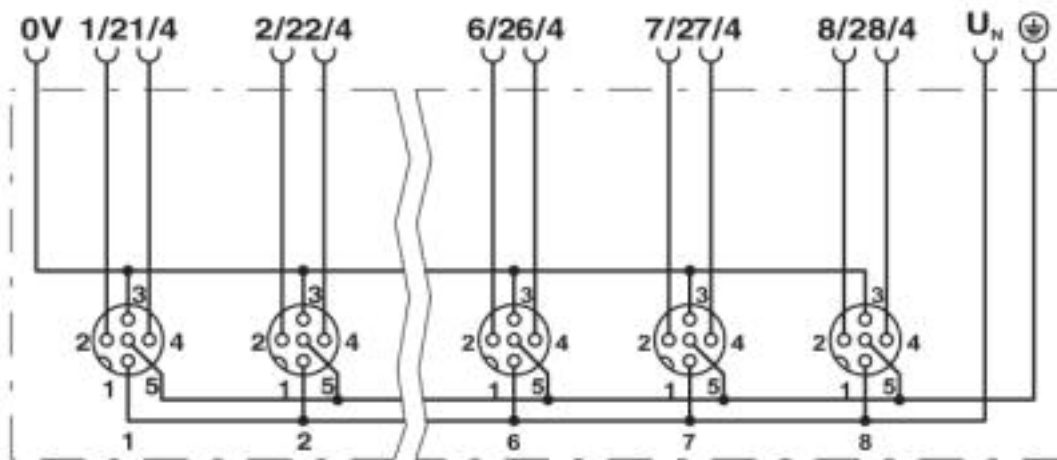
## Drawings

Dimensioned drawing

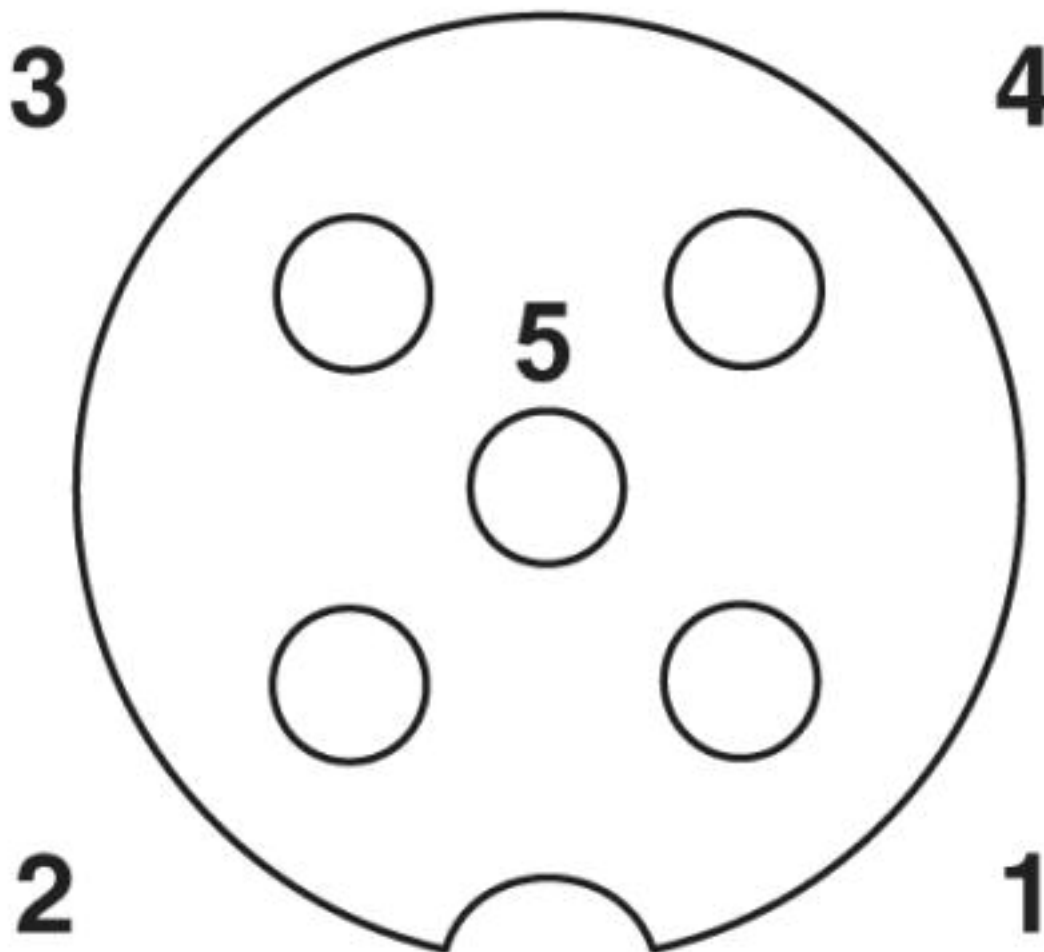


# Sensor/actuator box - SACB-4/ 8-C SCO P - 1452754

Circuit diagram



Schematic diagram



M12 slot, socket, 5-pos.





© Phoenix Contact 2013 - all rights reserved  
<http://www.phoenixcontact.com>