

Panel feed-through - SACC-5P-DSI-M12MS/FS-M16 - 1551671

Please be informed that the data shown in this PDF Document is generated from our Online Catalog. Please find the complete data in the user's documentation. Our General Terms of Use for Downloads are valid (<http://download.phoenixcontact.com>)



Sensor/actuator control cabinet feed-through, male to female, 5-pos., M12, shielded, A-coded, bipolar/screw mounting with M16 thread

Key commercial data

package_quantity	1
GTIN	4046356156226

Technical data

Ambient conditions

Ambient temperature (operation)	-25 °C ... 85 °C (Plug / socket)
Degree of protection	IP67

General

Rated current at 40°C	4 A
Rated voltage	24 V
Number of positions	5
Contact resistance	≤ 3 mΩ
Insulation resistance	≥ 100 MΩ
Coding	A - standard
Standards/regulations	M12 connector IEC 61076-2-101
Status display	No
Surge voltage category	II
Pollution degree	3
Mounting type	Bipolar mounting M16 x 1.5

Material

Inflammability class according to UL 94	HB
Contact material	CuZn
Contact surface material	Au
Contact carrier material	PA 66
Material, knurls	Nickel-plated brass
Sealing material	NBR

Panel feed-through - SACC-5P-DSI-M12MS/FS-M16 - 1551671

classifications

eCl@ss

eCl@ss 4.0	27250313
eCl@ss 4.1	27250313
eCl@ss 5.0	27143423
eCl@ss 5.1	27143423
eCl@ss 6.0	27143423
eCl@ss 7.0	27449001
eCl@ss 8.0	27449001

ETIM

ETIM 3.0	EC002061
ETIM 4.0	EC002062
ETIM 5.0	EC002062

UNSPSC

UNSPSC 6.01	31251501
UNSPSC 7.0901	31251501
UNSPSC 11	31251501
UNSPSC 12.01	31251501
UNSPSC 13.2	31251501

approvals

GOST / GOST /

Approval details



accessories

Protective cap

PROT-M12 - 1680539



Panel feed-through - SACC-5P-DSI-M12MS/FS-M16 - 1551671

accessories

PROT-M12 FS - 1560251



PROT-M12 SH - 1503302



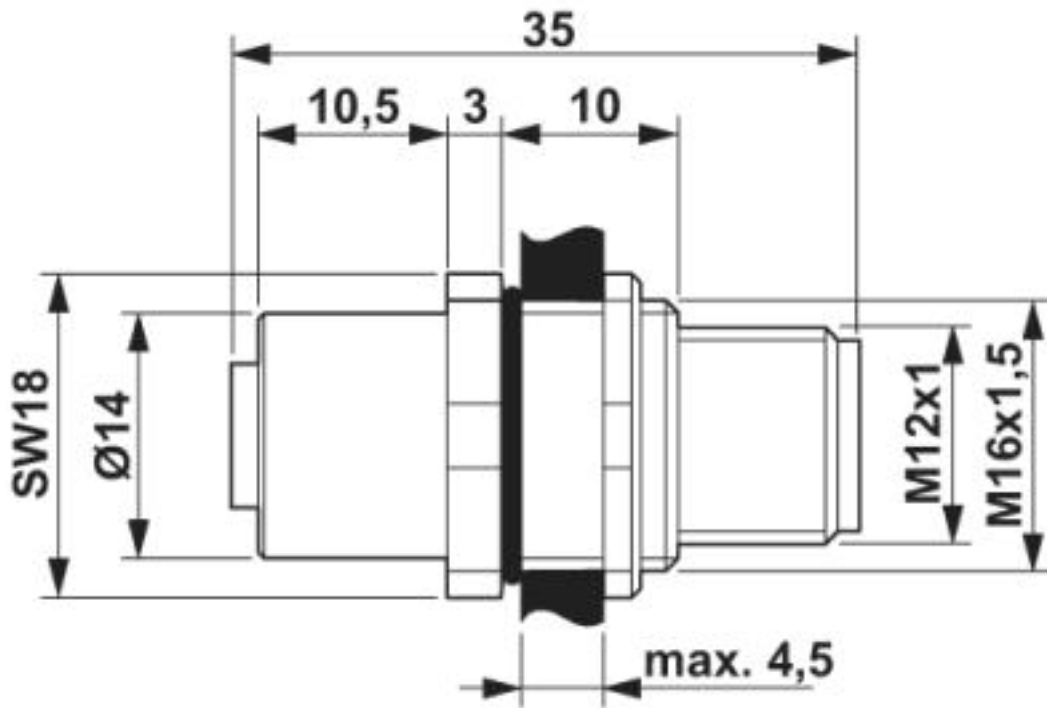
PROT-M12 FS-M - 1430488



Drawings

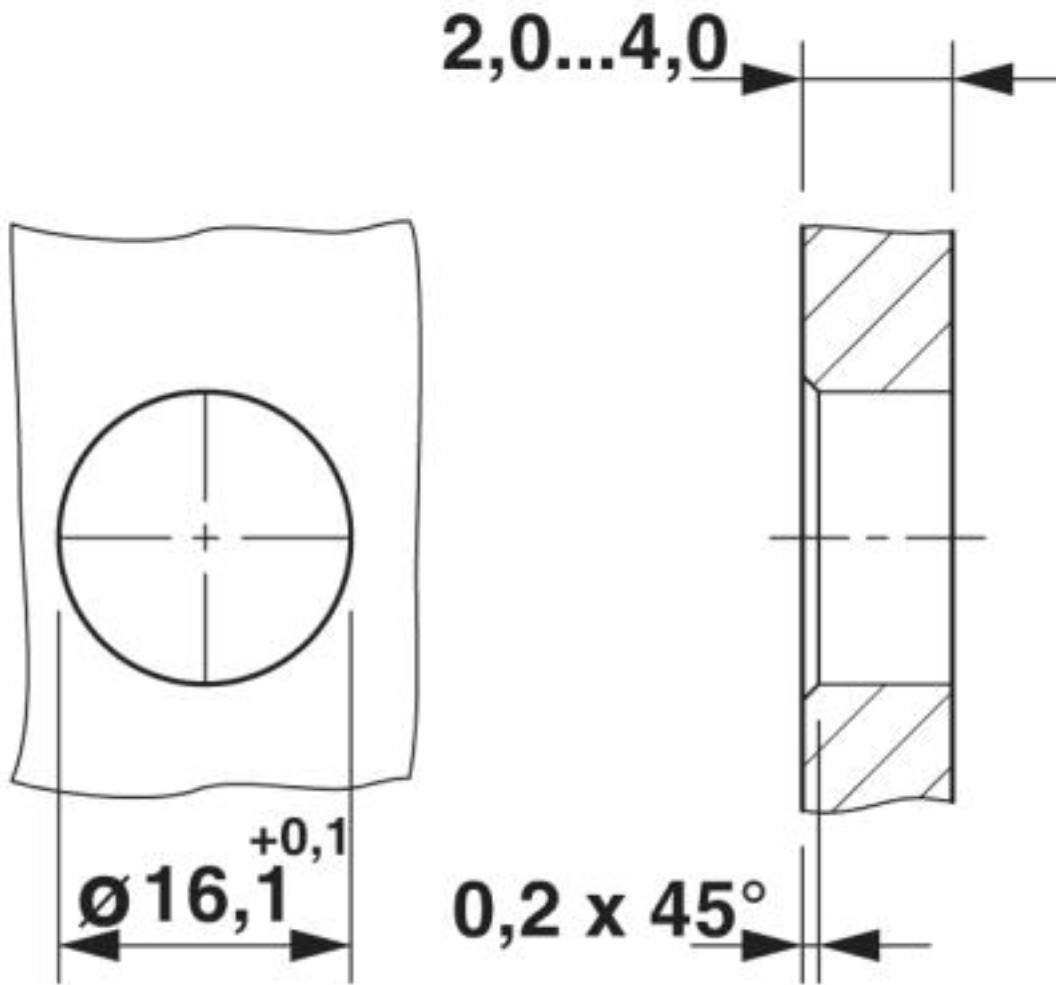
Panel feed-through - SACC-5P-DSI-M12MS/FS-M16 - 1551671

Dimensioned drawing



Panel feed-through - SACC-5P-DSI-M12MS/FS-M16 - 1551671

Dimensioned drawing



Panel cutout

Panel feed-through - SACC-5P-DSI-M12MS/FS-M16 - 1551671

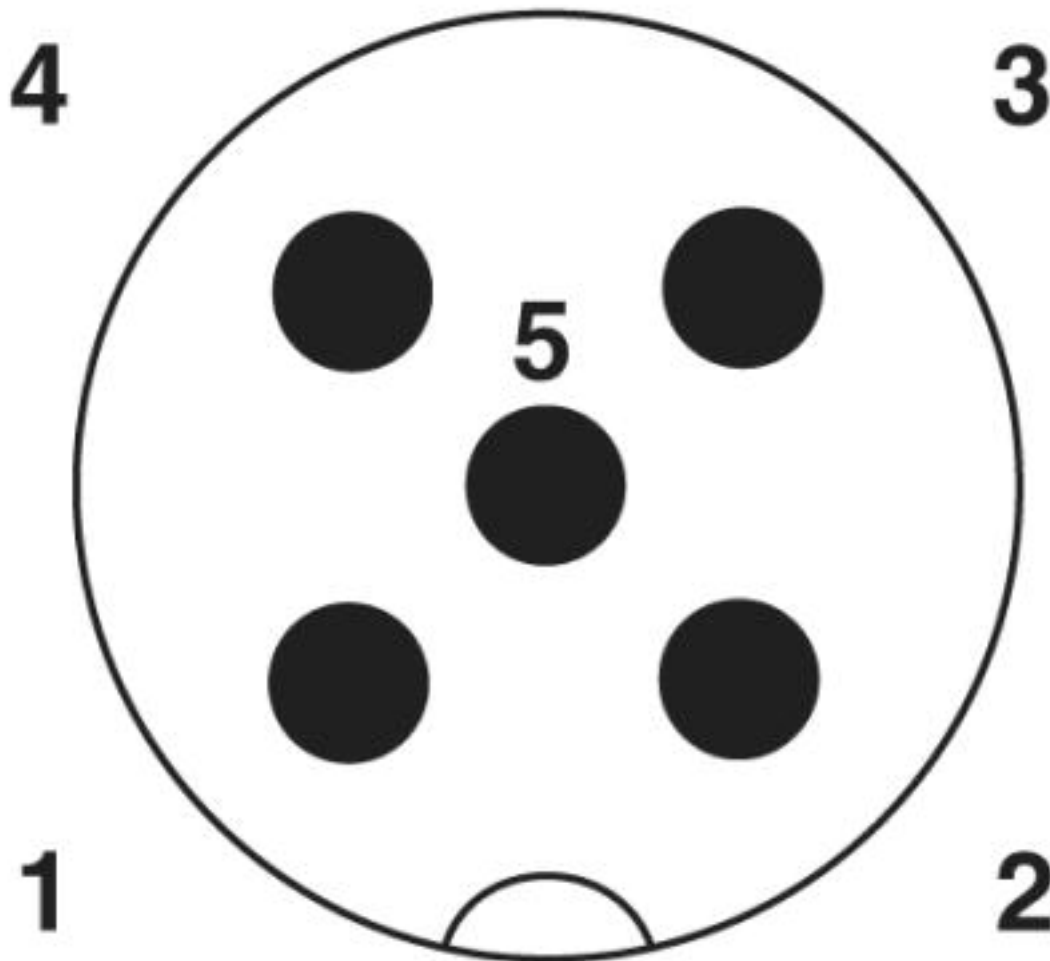
Circuit diagram



Contact assignment of the M12 plug and the M12 socket

Panel feed-through - SACC-5P-DSI-M12MS/FS-M16 - 1551671

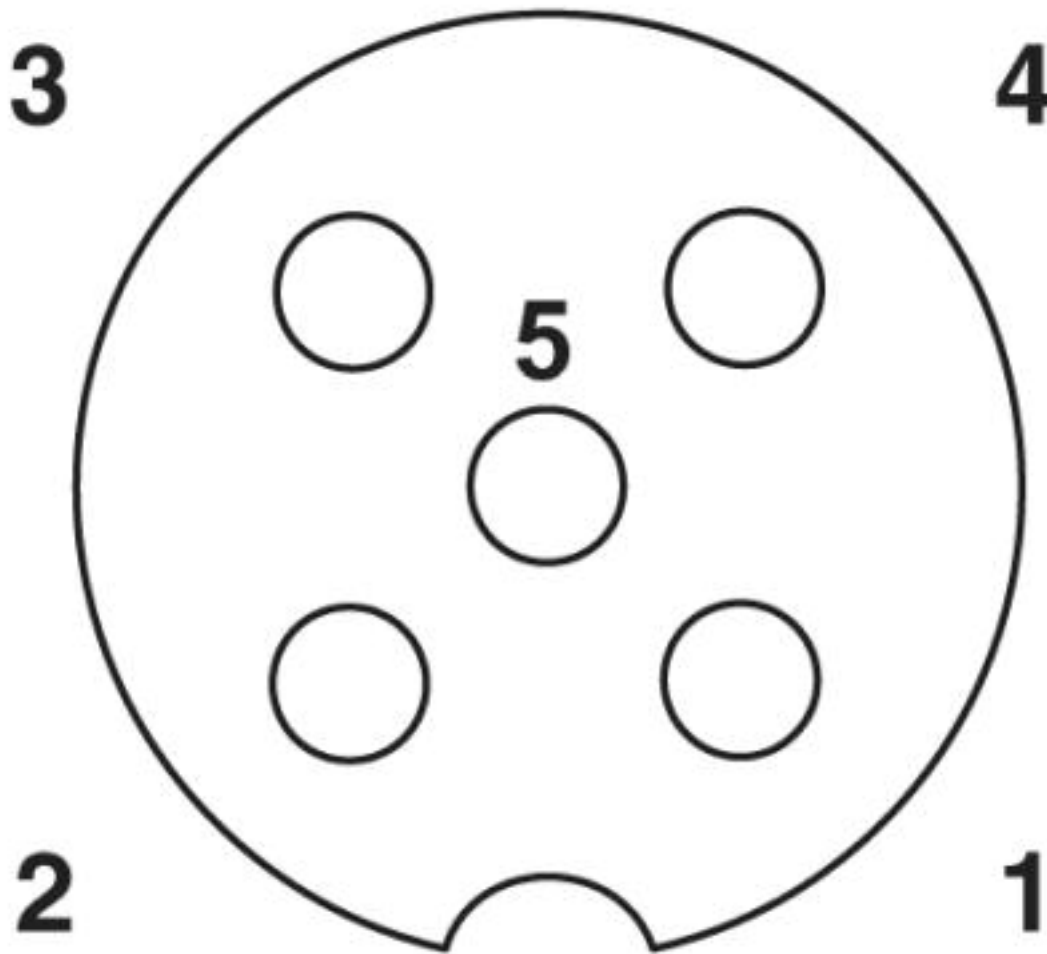
Schematic diagram



Pin assignment M12 male connector, 5-pos., A-coded, male side

Panel feed-through - SACC-5P-DSI-M12MS/FS-M16 - 1551671

Schematic diagram



Pin assignment M12 socket, 5-pos., A-coded, socket side view

© Phoenix Contact 2013 - all rights reserved
<http://www.phoenixcontact.com>